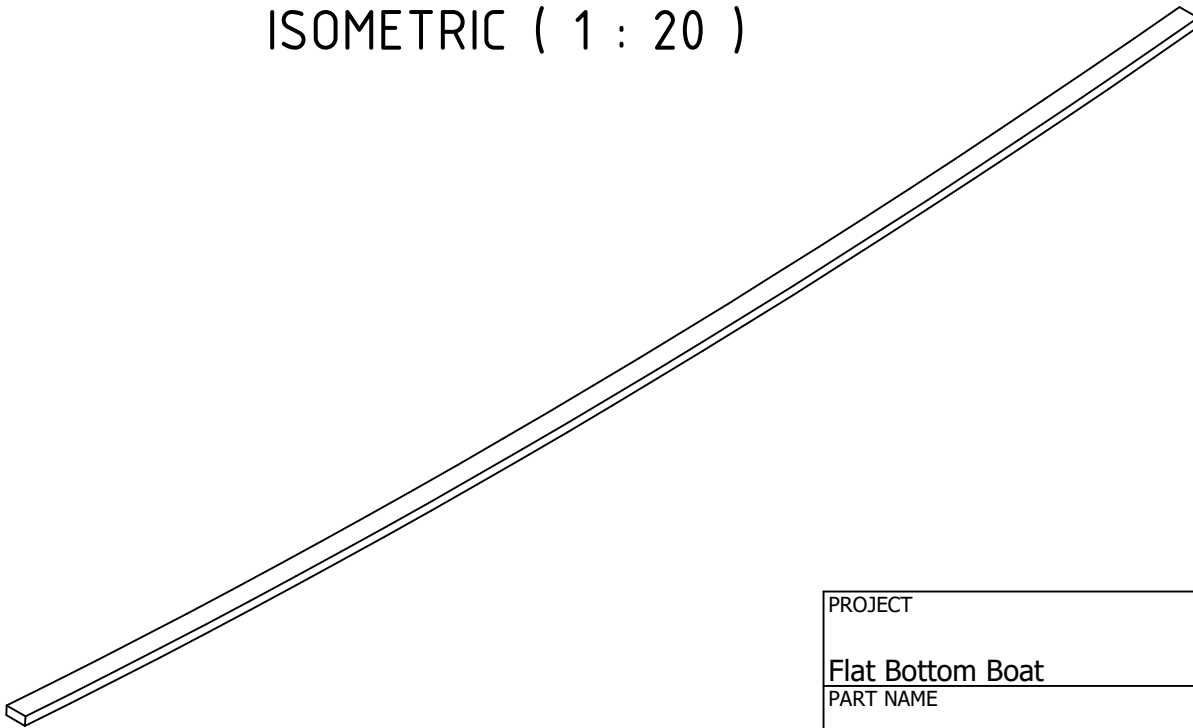
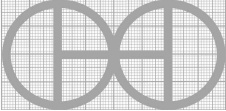


ISOMETRIC ( 1 : 20 )



Note: All units in mm.

PROJECT	CREATED BY	APPROVED BY	DATE	VERSION
Flat Bottom Boat	J. Zeron	A. Morillo	02/08/2021	1.0
PART NAME	FILE NAME			POS
Keel	Keel.ipt			1.2
DEVELOPED BY	REDESIGNED BY	DOC. TYPE	MATERIAL	QUANTITY
		Part	Hardwood	1
FAO	OHO e.V.	LICENCE	SCALE	SHEET
		CC-BY-SA 4.0	1:3	7 /25