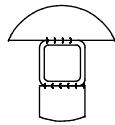
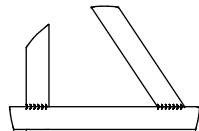


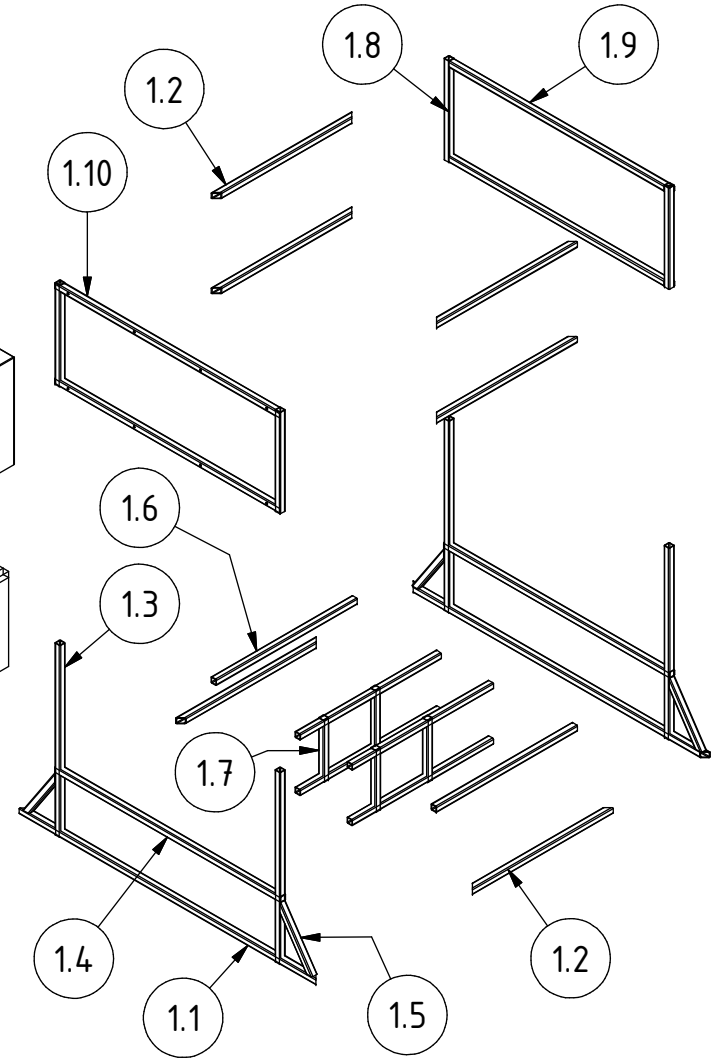
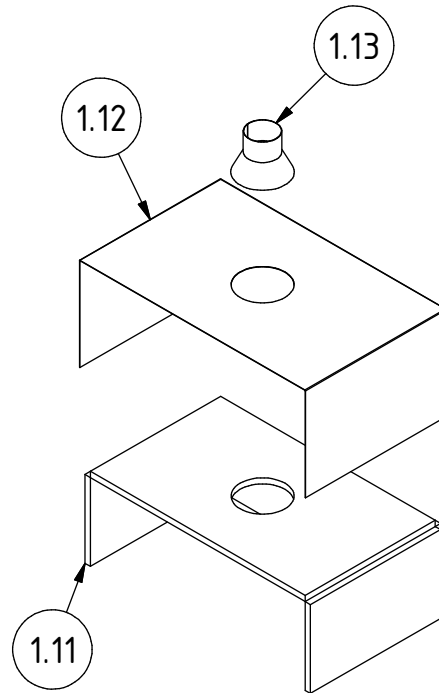
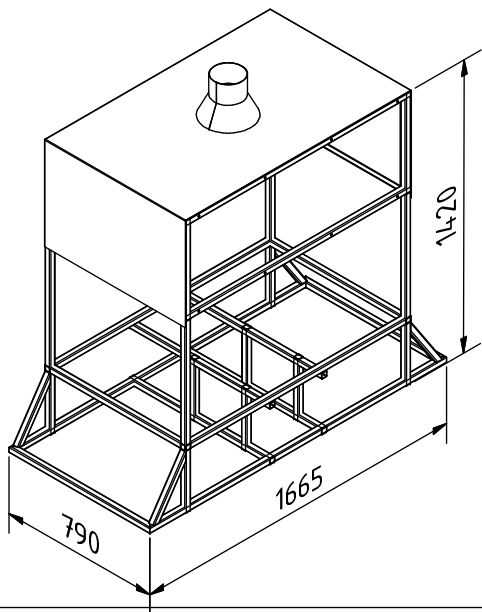
A ( 1 : 5 )



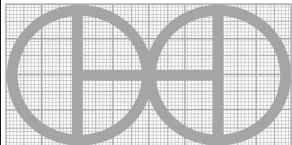
B ( 1 : 10 )



C ( 1 : 5 )



Note: All units in mm.

PROJECT	CREATED BY	APPROVED BY	DATE	VERSION
Rocket Bread Oven	D. Rodriguez	A. Morillo	25/10/2021	1.0
PART NAME	FILE NAME			POS
Oven assembly	Oven assembly.ipn			1.0
DEVELOPED BY	REDESIGNED BY	DOC. TYPE	MATERIAL	QUANTITY
		Assembly		1:30
GIZ		LICENCE	SCALE	SHEET
		CC-BY-SA 4.0	1:30	7 /36