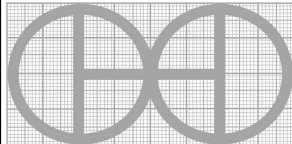
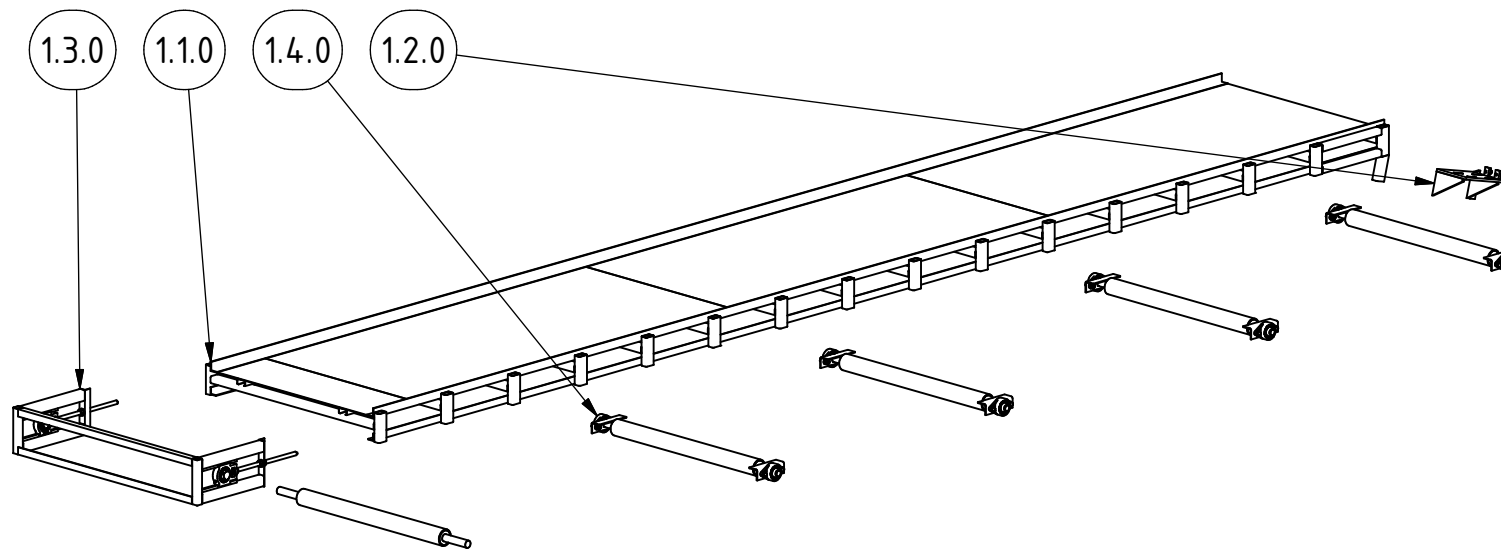
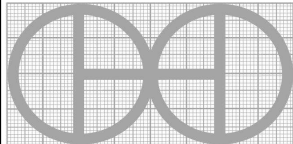
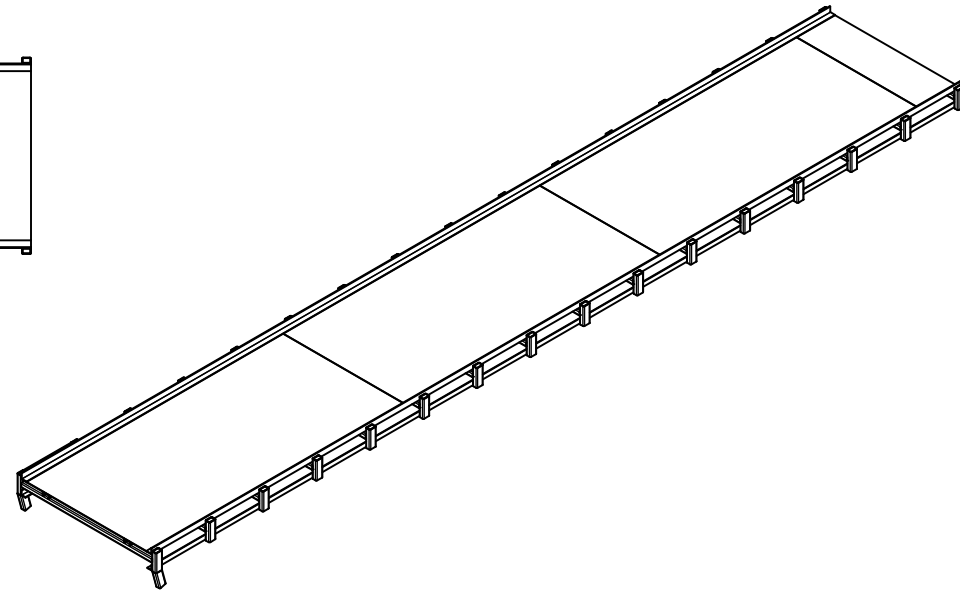
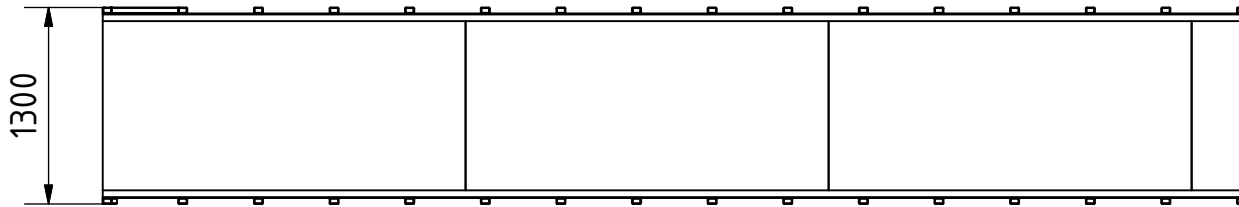
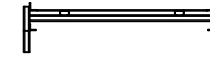
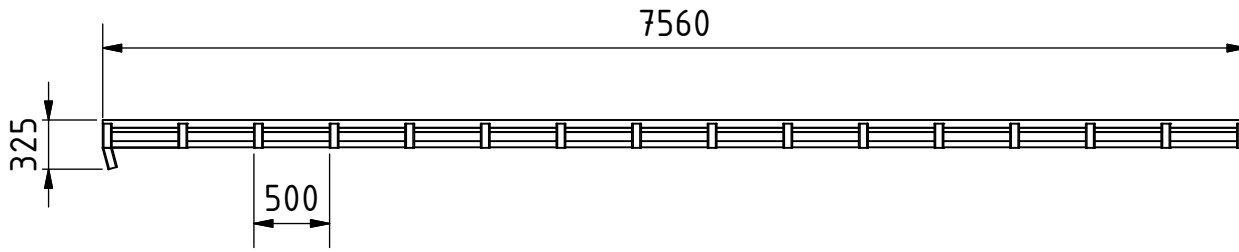
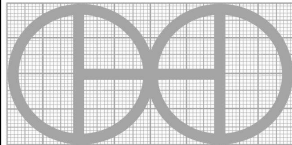


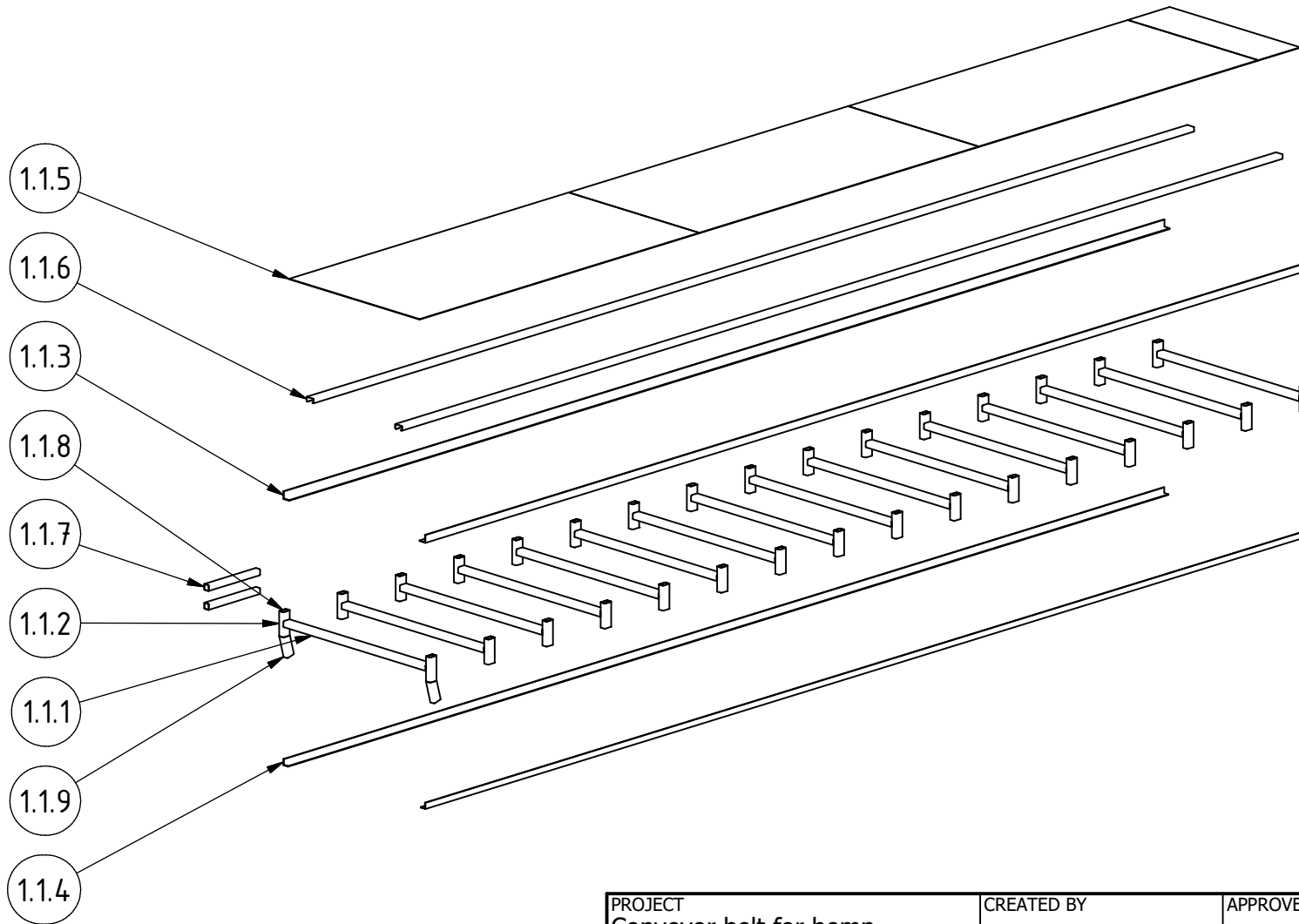
PROJECT Conveyor belt for hemp processing - model1		CREATED BY A. Morillo	APPROVED BY D. Jaeger	DATE 04-07-2024	VERSION 0.01
PART NAME Main structure		SPECIFICACIONES			CODE 1.0.0
DEVELOPED BY Hanfasser		REDESIGNED BY	FILENAME 1.iam		QTY 1
		 OHO e.V.	LICENSE CC-BY-SA 4.0	DOC. TYPE Assembly	SCALE 1 : 25
					SHEET 13 / 55

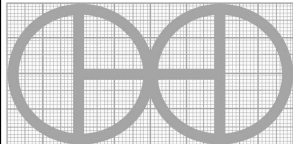


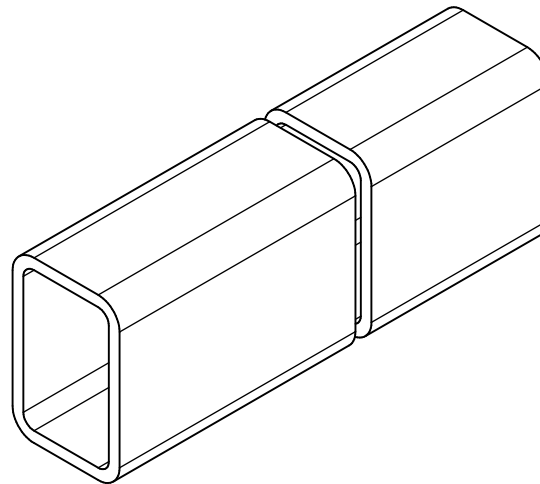
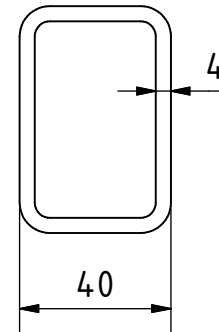
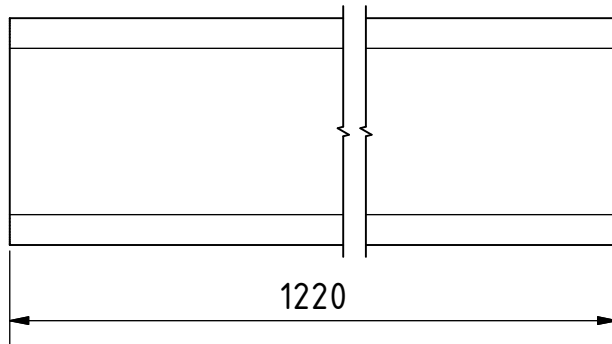
PROJECT Conveyor belt for hemp processing - model1		CREATED BY A. Morillo	APPROVED BY D. Jaeger	DATE 04-07-2024	VERSION 0.01
PART NAME		SPECIFICACIONES			CODE 1.0.0
DEVELOPED BY Hanfasser		REDESIGNED BY 	FILENAME		QTY
		OHO e.V.	LICENSE CC-BY-SA 4.0	DOC. TYPE	SCALE SHEET 14 /55

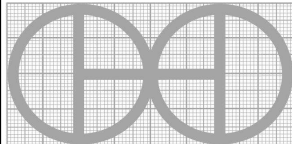


PROJECT Conveyor belt for hemp processing - model1		CREATED BY A. Morillo	APPROVED BY D. Jaeger	DATE 04-07-2024	VERSION 0.01
PART NAME		SPECIFICACIONES			CODE 1.1.0
DEVELOPED BY Hanfasser		REDESIGNED BY 	FILENAME OHO e.v.		QTY
		LICENSE CC-BY-SA 4.0	DOC. TYPE	SCALE	SHEET 15 /55

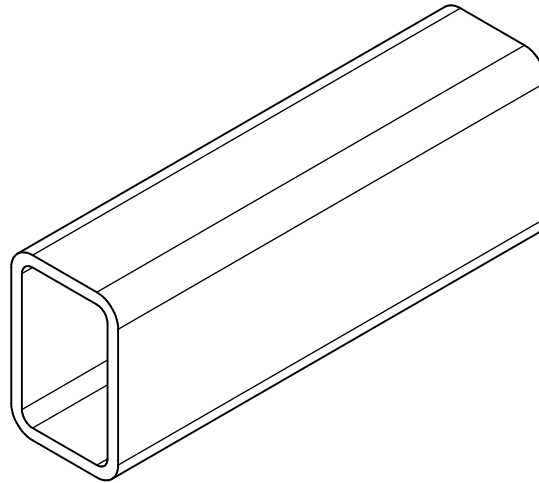
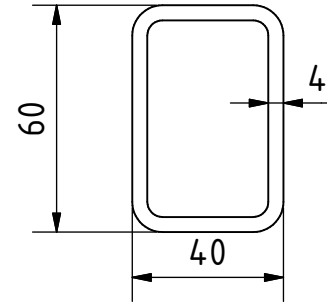
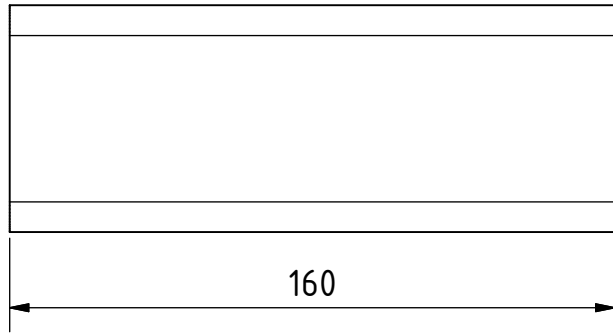


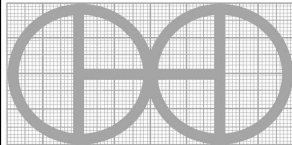
PROJECT Conveyor belt for hemp processing - model1		CREATED BY A. Morillo	APPROVED BY D. Jaeger	DATE 04-07-2024	VERSION 0.01
PART NAME		SPECIFICACIONES			CODE 1.1.0
DEVELOPED BY		REDESIGNED BY	FILENAME		QTY
Hanfasser			OHO e.V.		
		LICENSE CC-BY-SA 4.0	DOC. TYPE	SCALE	SHEET 16 /55

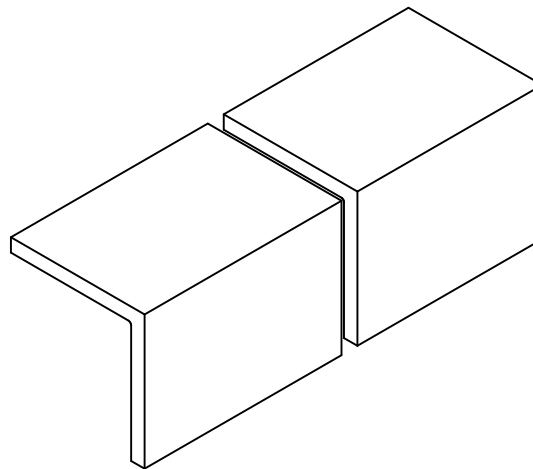
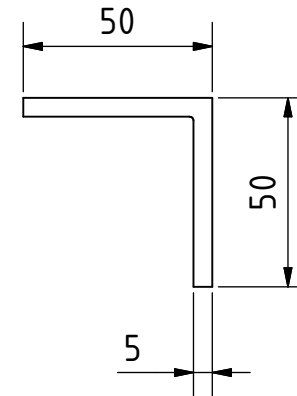
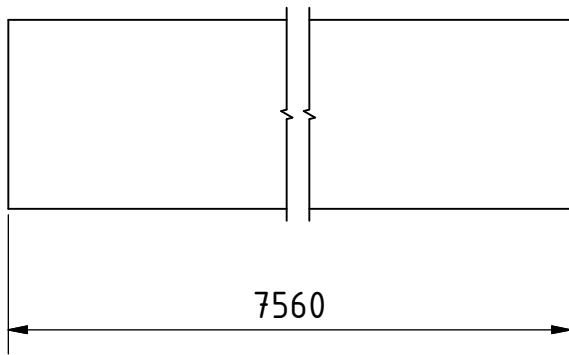


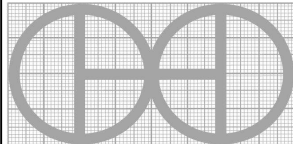
PROJECT Conveyor belt for hemp processing - model1		CREATED BY A. Morillo	APPROVED BY D. Jaeger	DATE 04-07-2024	VERSION 0.01
PART NAME		SPECIFICACIONES			CODE 1.1.1
DEVELOPED BY Hanfasser		REDESIGNED BY 	FILENAME		QTY
		LICENSE CC-BY-SA 4.0		DOC. TYPE	SCALE SHEET 17 / 55

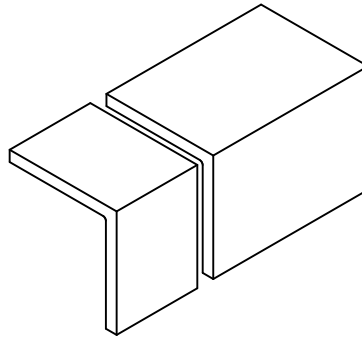
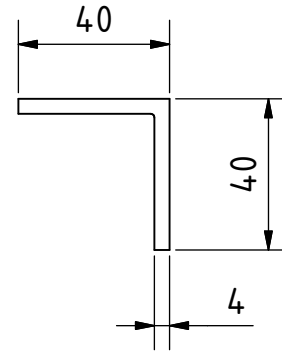
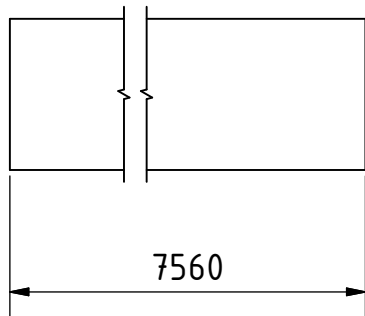
OHO e.V.

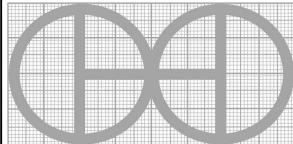


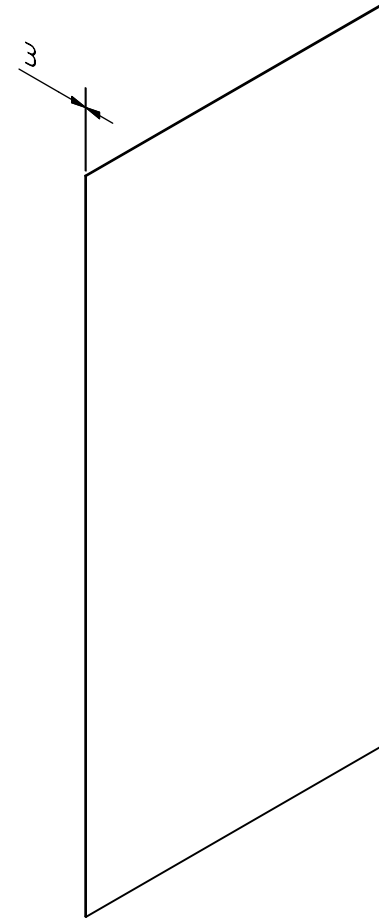
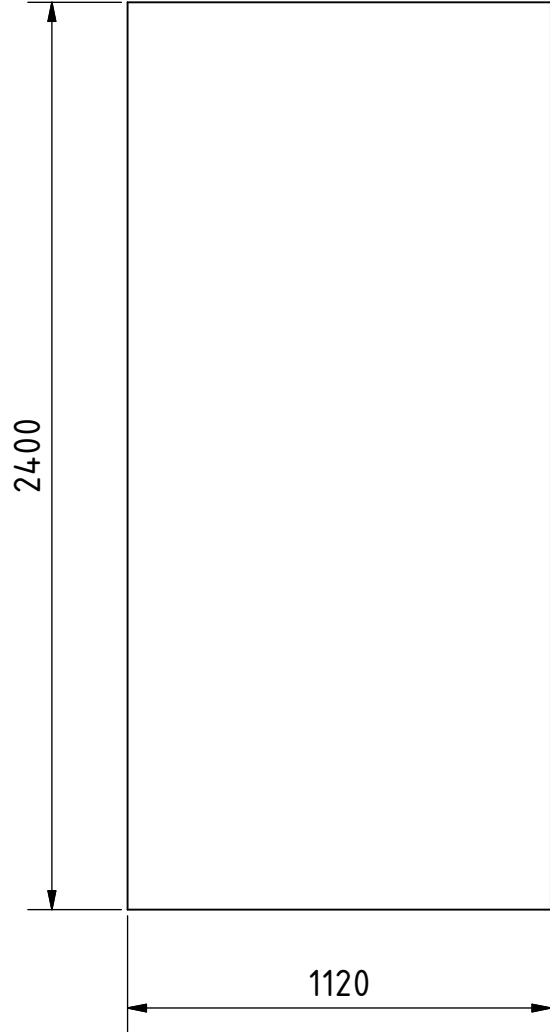
PROJECT Conveyor belt for hemp processing - model1		CREATED BY A. Morillo	APPROVED BY D. Jaeger	DATE 04-07-2024	VERSION 0.01
PART NAME		SPECIFICACIONES			CODE 1.1.2
DEVELOPED BY Hanfasser		REDESIGNED BY 	FILENAME OHO e.V.		QTY
		LICENSE CC-BY-SA 4.0	DOC. TYPE	SCALE	SHEET 18 /55

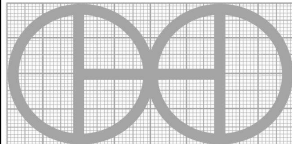


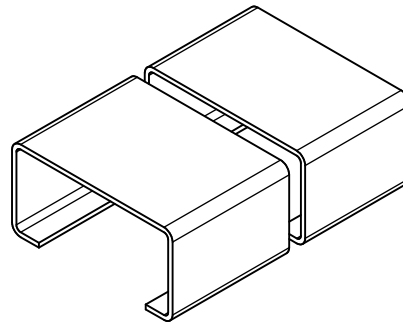
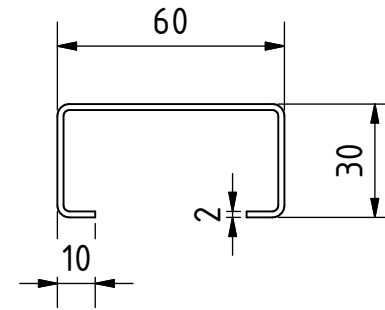
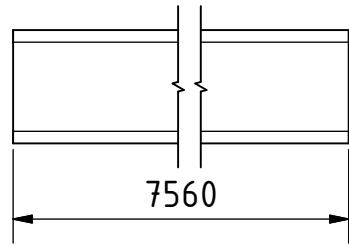
PROJECT Conveyor belt for hemp processing - model1		CREATED BY A. Morillo	APPROVED BY D. Jaeger	DATE 04-07-2024	VERSION 0.01
PART NAME		SPECIFICACIONES			CODE 1.1.3
DEVELOPED BY Hanfasser		REDESIGNED BY 	FILENAME OHO e.v.		QTY
		LICENSE CC-BY-SA 4.0	DOC. TYPE	SCALE	SHEET 19 /55

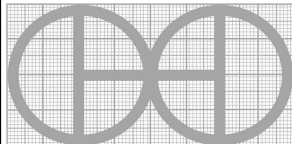


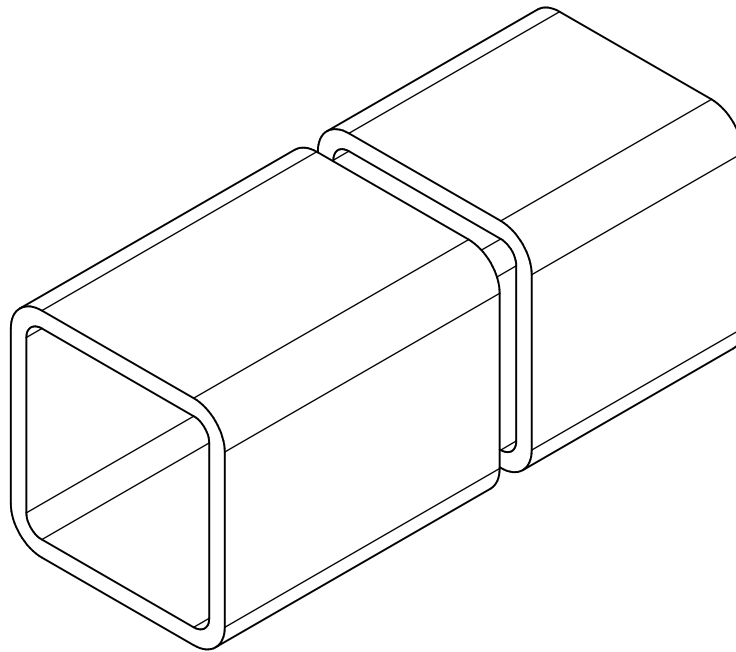
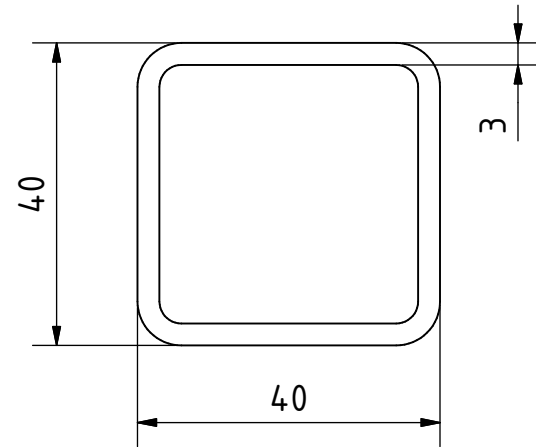
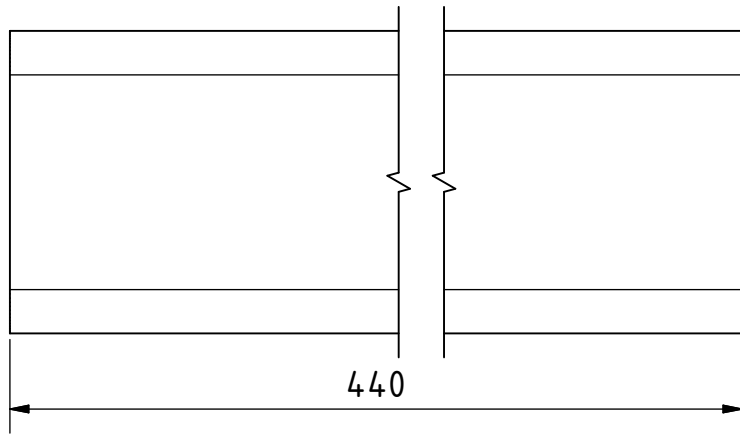
PROJECT Conveyor belt for hemp processing - model1		CREATED BY A. Morillo	APPROVED BY D. Jaeger	DATE 04-07-2024	VERSION 0.01
PART NAME		SPECIFICACIONES			CODE 1.1.4
DEVELOPED BY Hanfasser		REDESIGNED BY 	FILENAME OHO e.V.		QTY
		LICENSE CC-BY-SA 4.0	DOC. TYPE	SCALE	SHEET 20 /55

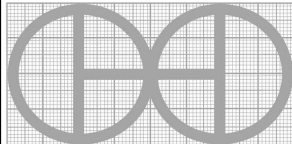


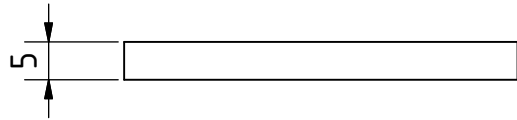
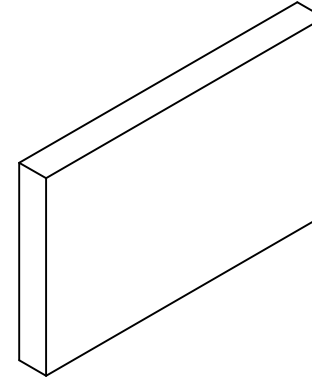
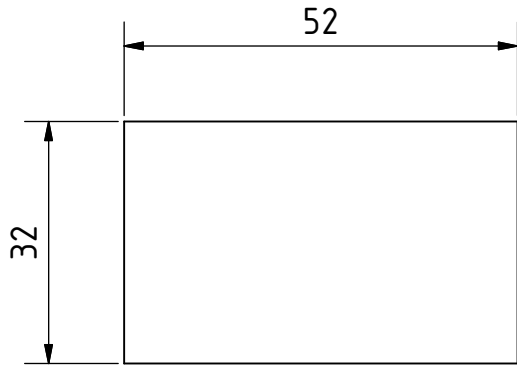
PROJECT Conveyor belt for hemp processing - model1		CREATED BY A. Morillo	APPROVED BY D. Jaeger	DATE 04-07-2024	VERSION 0.01
PART NAME		SPECIFICACIONES			CODE 1.1.5
DEVELOPED BY Hanfasser	REDESIGNED BY 	FILENAME OHO e.V.		QTY	
		LICENSE CC-BY-SA 4.0	DOC. TYPE	SCALE	SHEET 21 /55

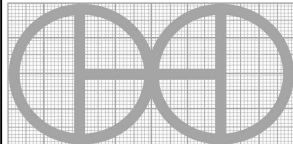


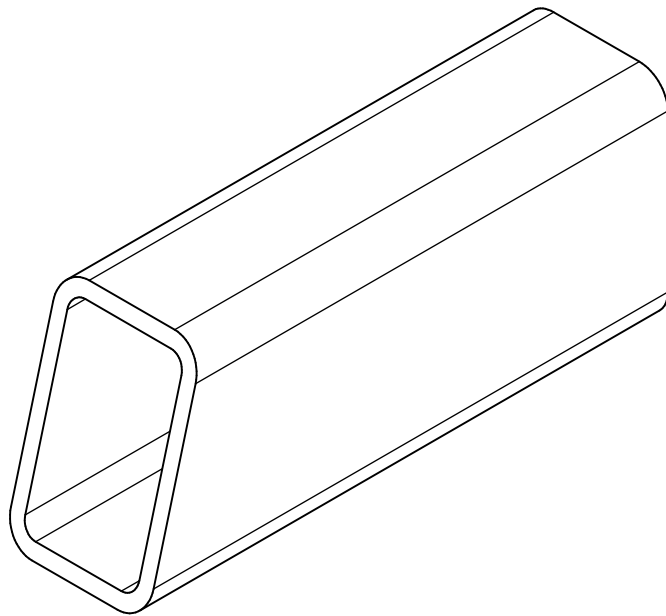
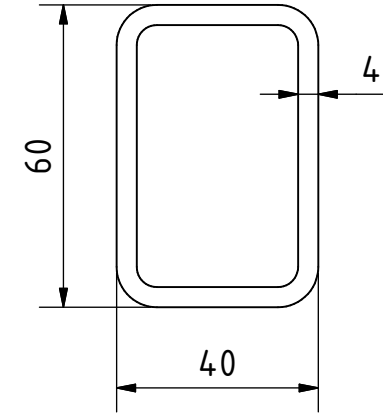
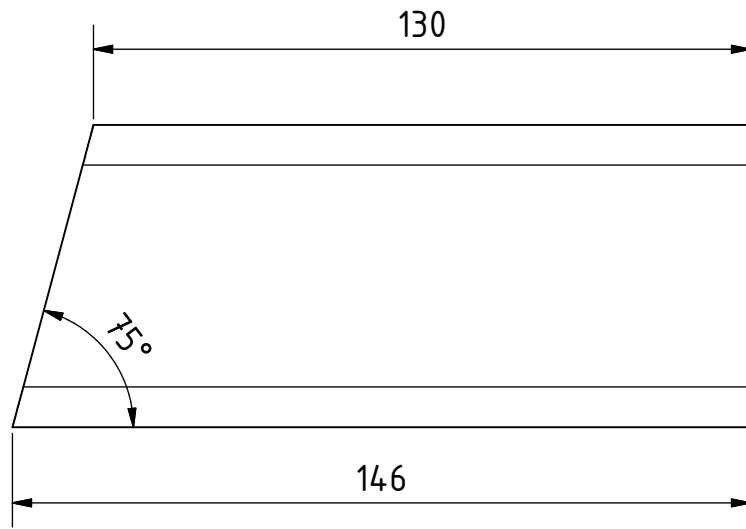
PROJECT Conveyor belt for hemp processing - model1		CREATED BY A. Morillo	APPROVED BY D. Jaeger	DATE 04-07-2024	VERSION 0.01
PART NAME		SPECIFICACIONES			CODE 1.1.6
DEVELOPED BY Hanfasser		REDESIGNED BY 	FILENAME OHO e.V.		QTY
		LICENSE CC-BY-SA 4.0	DOC. TYPE	SCALE	SHEET 22 /55

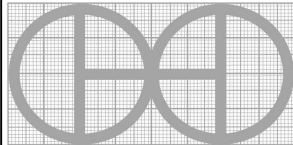


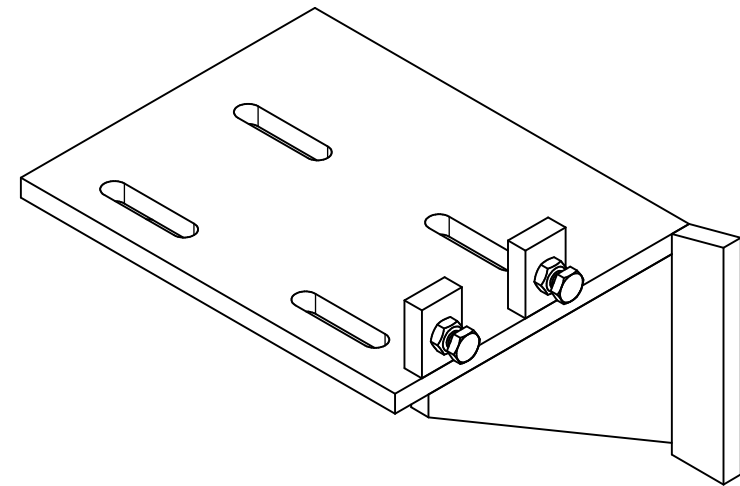
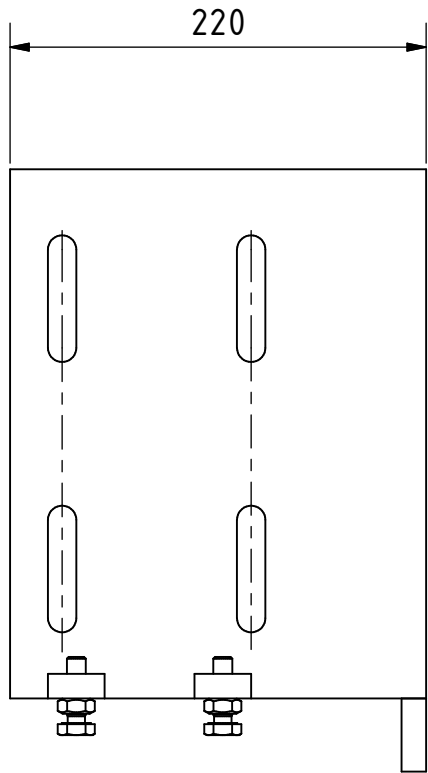
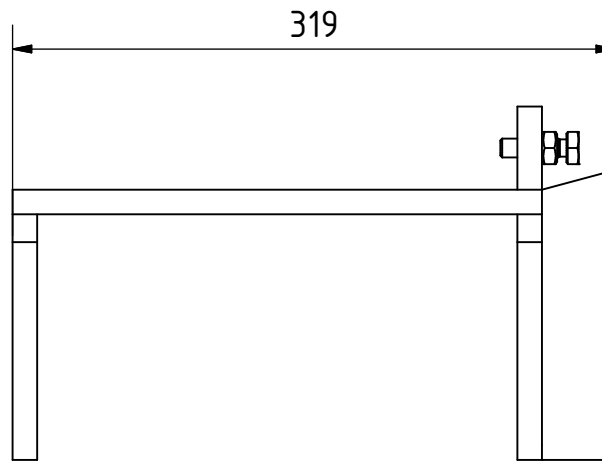
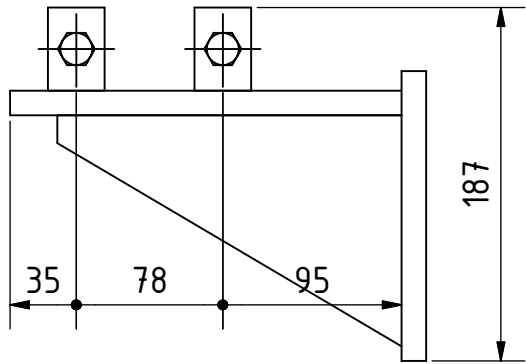
PROJECT Conveyor belt for hemp processing - model1		CREATED BY A. Morillo	APPROVED BY D. Jaeger	DATE 04-07-2024	VERSION 0.01
PART NAME		SPECIFICACIONES			CODE 1.1.7
DEVELOPED BY Hanfasser		REDESIGNED BY 	FILENAME OHO e.V.		QTY
		LICENSE CC-BY-SA 4.0	DOC. TYPE	SCALE	SHEET 23 /55

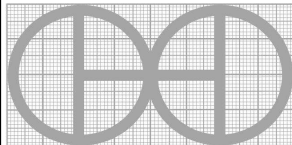


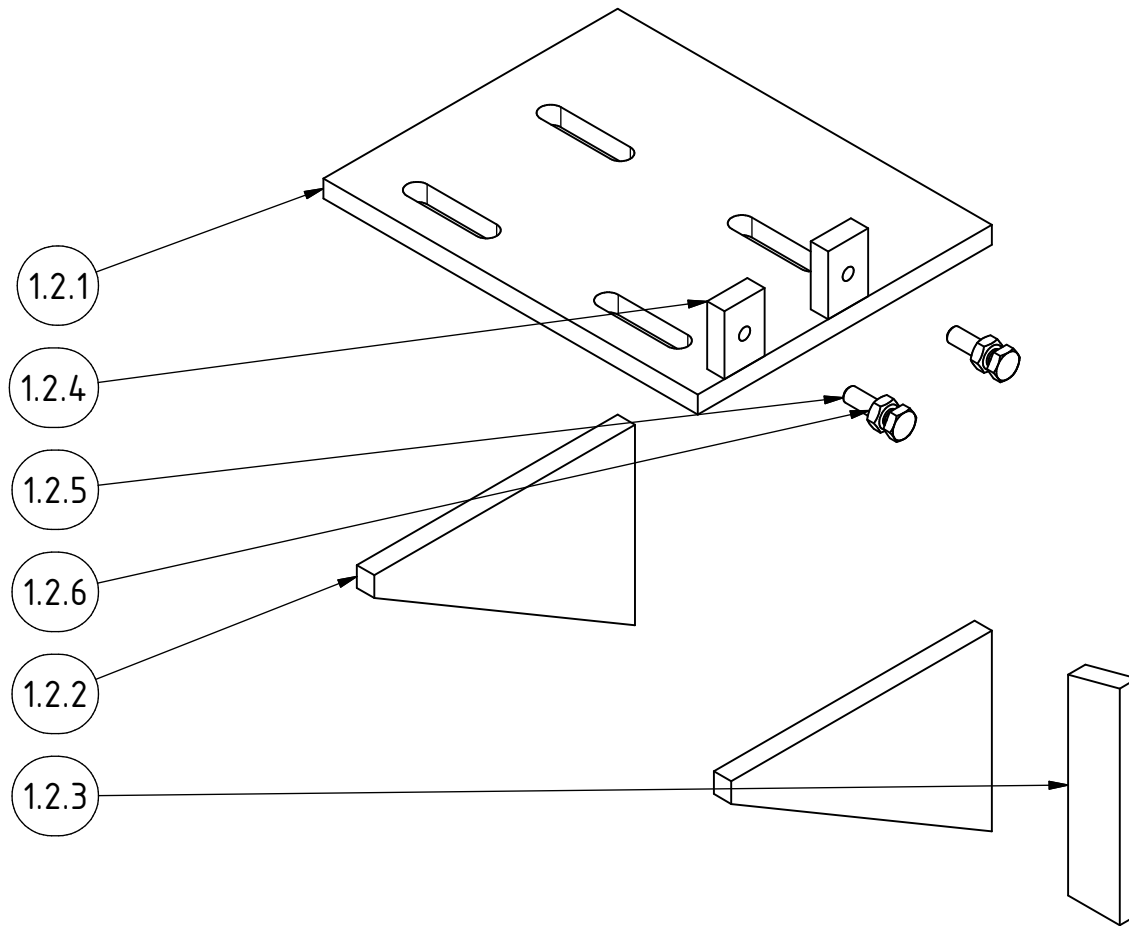
PROJECT Conveyor belt for hemp processing - model1		CREATED BY A. Morillo	APPROVED BY D. Jaeger	DATE 04-07-2024	VERSION 0.01
PART NAME		SPECIFICACIONES			CODE 1.1.8
DEVELOPED BY Hanfasser		REDESIGNED BY 	FILENAME OHO e.V.		QTY
		LICENSE CC-BY-SA 4.0	DOC. TYPE	SCALE	SHEET 24 /55

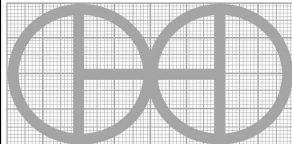


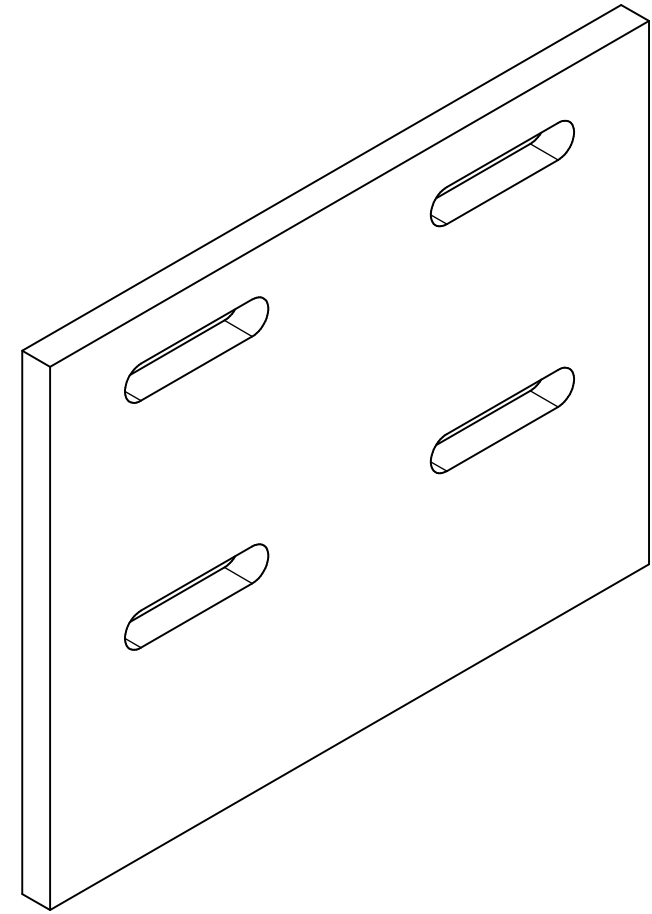
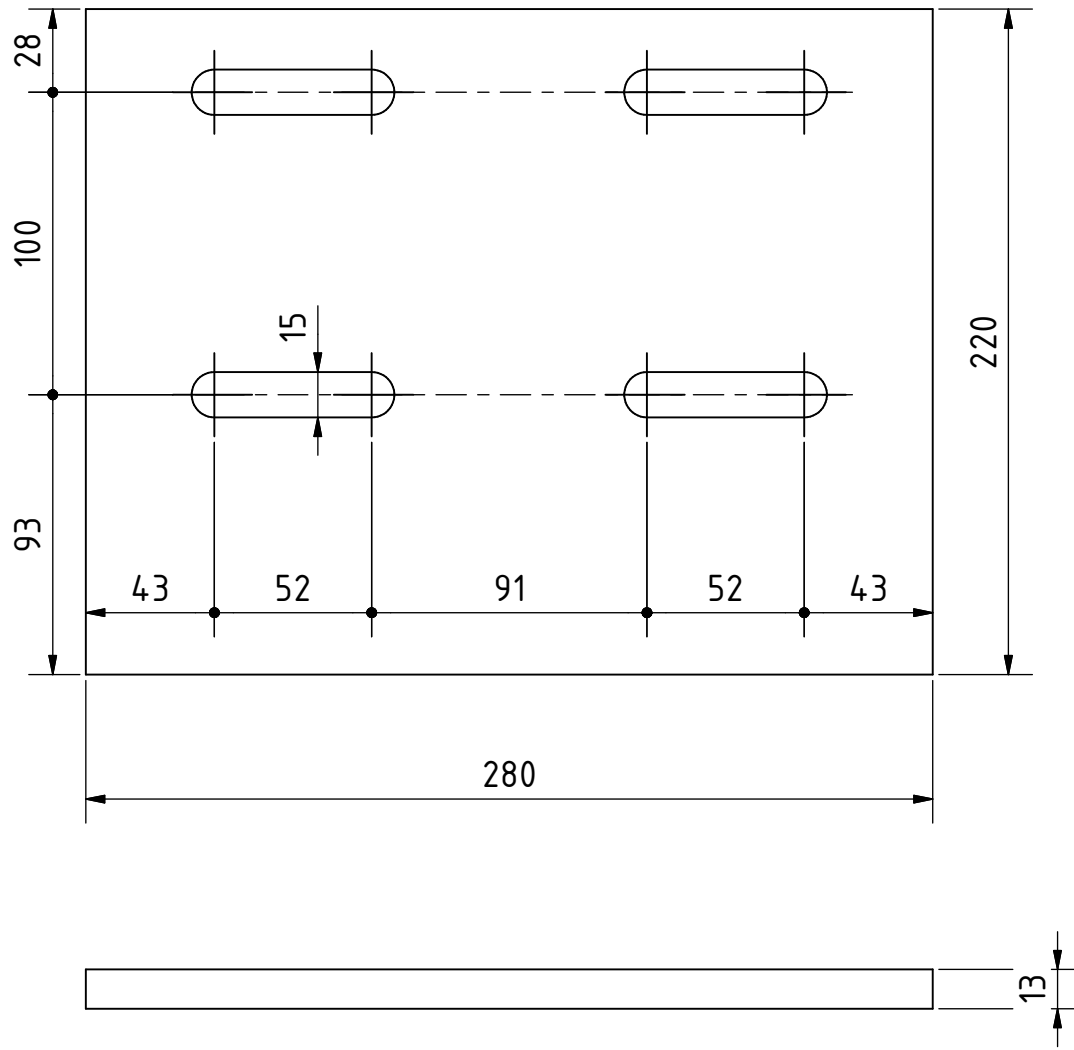
PROJECT Conveyor belt for hemp processing - model1		CREATED BY A. Morillo	APPROVED BY D. Jaeger	DATE 04-07-2024	VERSION 0.01
PART NAME		SPECIFICACIONES			CODE 1.1.9
DEVELOPED BY Hanfasser		REDESIGNED BY 	FILENAME OHO e.V.		QTY
		LICENSE CC-BY-SA 4.0	DOC. TYPE	SCALE	SHEET 25 /55

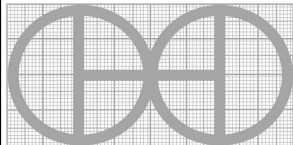


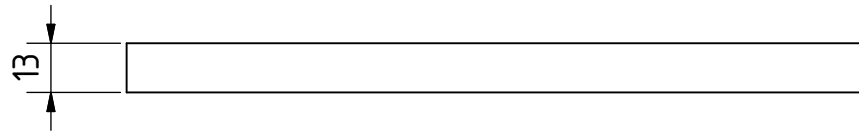
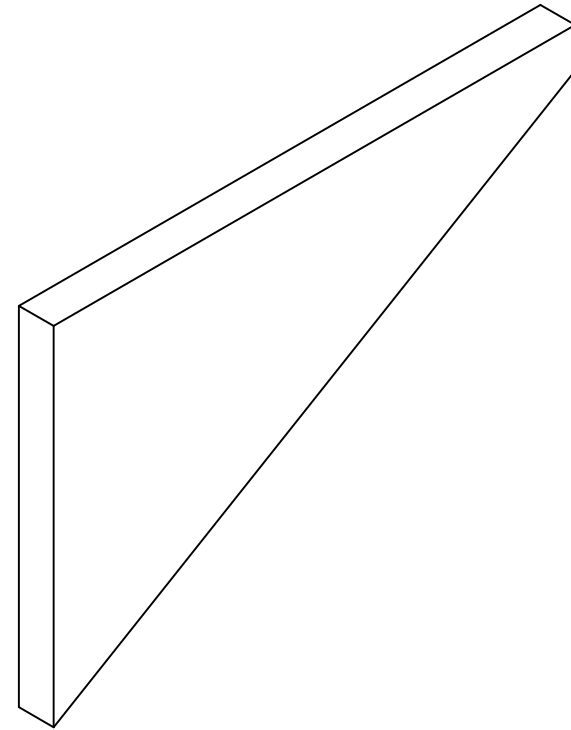
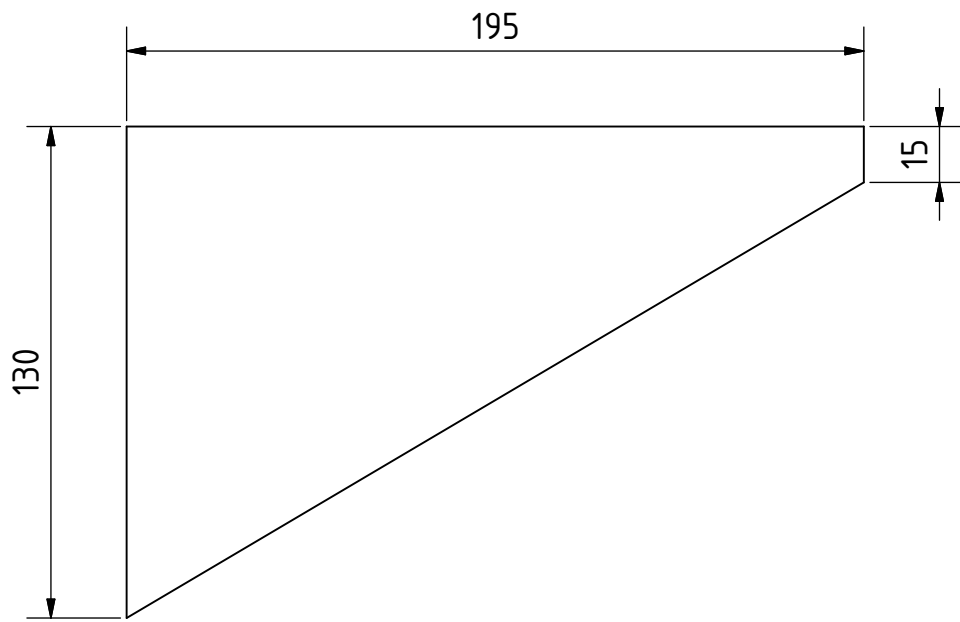
PROJECT Conveyor belt for hemp processing - model1		CREATED BY A. Morillo	APPROVED BY D. Jaeger	DATE 04-07-2024	VERSION 0.01
PART NAME		SPECIFICACIONES			CODE 1.2.0
DEVELOPED BY	REDESIGNED BY	FILENAME		QTY	
Hanfasser		OHO e.V.	LICENSE CC-BY-SA 4.0	DOC. TYPE	SCALE SHEET 26 /55

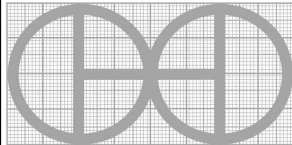


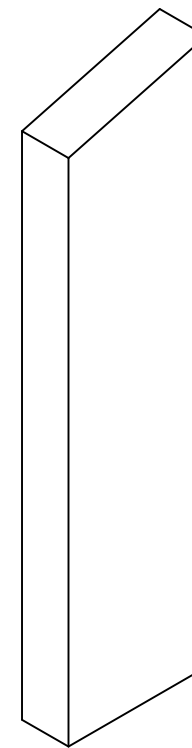
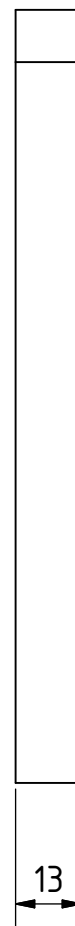
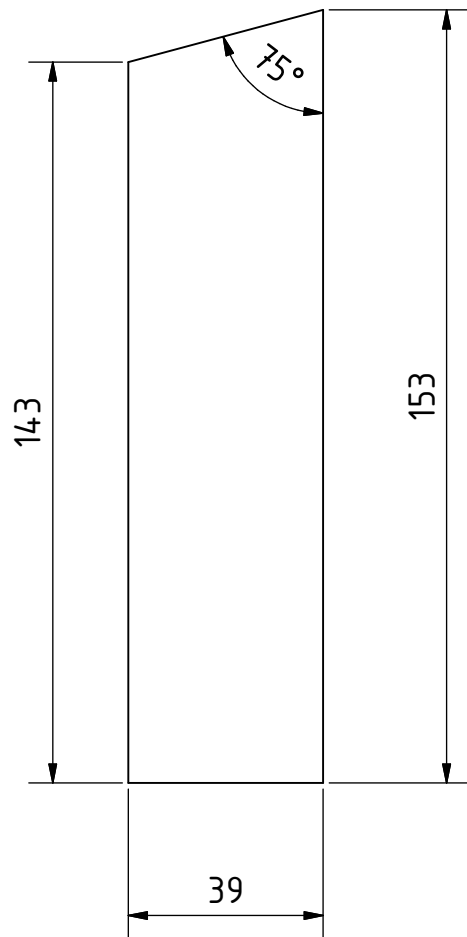
PROJECT Conveyor belt for hemp processing - model1		CREATED BY A. Morillo	APPROVED BY D. Jaeger	DATE 04-07-2024	VERSION 0.01
PART NAME		SPECIFICACIONES			CODE 1.2.0
DEVELOPED BY		REDESIGNED BY	FILENAME		QTY
Hanfasser			OHO e.V.		SHEET
			CC-BY-SA 4.0		27 /55

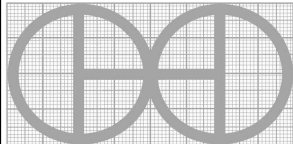


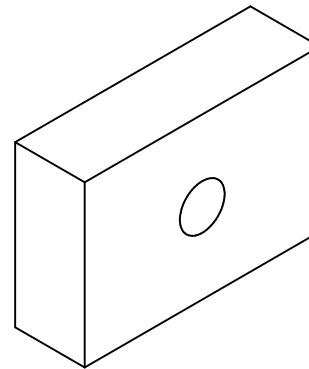
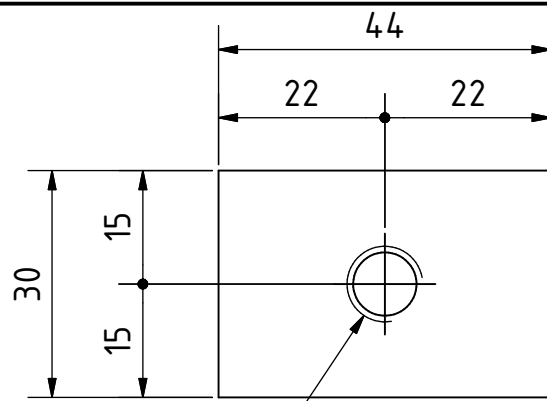
PROJECT Conveyor belt for hemp processing - model1		CREATED BY A. Morillo	APPROVED BY D. Jaeger	DATE 04-07-2024	VERSION 0.01
PART NAME		SPECIFICACIONES			CODE 1.2.1
DEVELOPED BY		REDESIGNED BY	FILENAME		QTY
Hanfasser			OHO e.V.		SHEET
		LICENSE CC-BY-SA 4.0		DOC. TYPE	SCALE
					28 /55

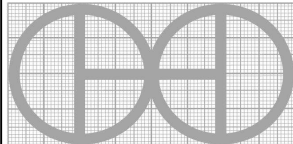


PROJECT Conveyor belt for hemp processing - model1		CREATED BY A. Morillo	APPROVED BY D. Jaeger	DATE 04-07-2024	VERSION 0.01
PART NAME		SPECIFICACIONES			CODE 1.2.2
DEVELOPED BY Hanfasser		REDESIGNED BY 	FILENAME		QTY
		OHO e.V.	LICENSE CC-BY-SA 4.0	DOC. TYPE	SCALE SHEET 29 /55

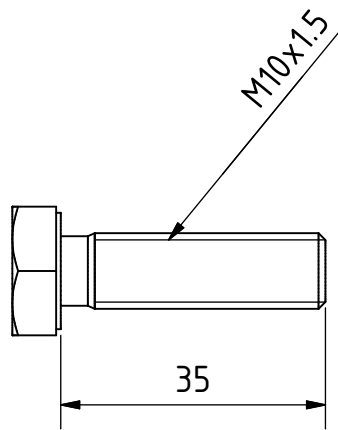


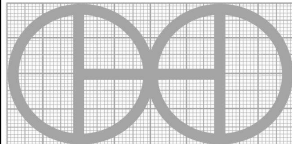
PROJECT Conveyor belt for hemp processing - model1		CREATED BY A. Morillo	APPROVED BY D. Jaeger	DATE 04-07-2024	VERSION 0.01
PART NAME		SPECIFICACIONES			CODE 1.2.3
DEVELOPED BY Hanfasser		REDESIGNED BY 	FILENAME OHO e.v.		QTY
		LICENSE CC-BY-SA 4.0	DOC. TYPE	SCALE	SHEET 30 /55

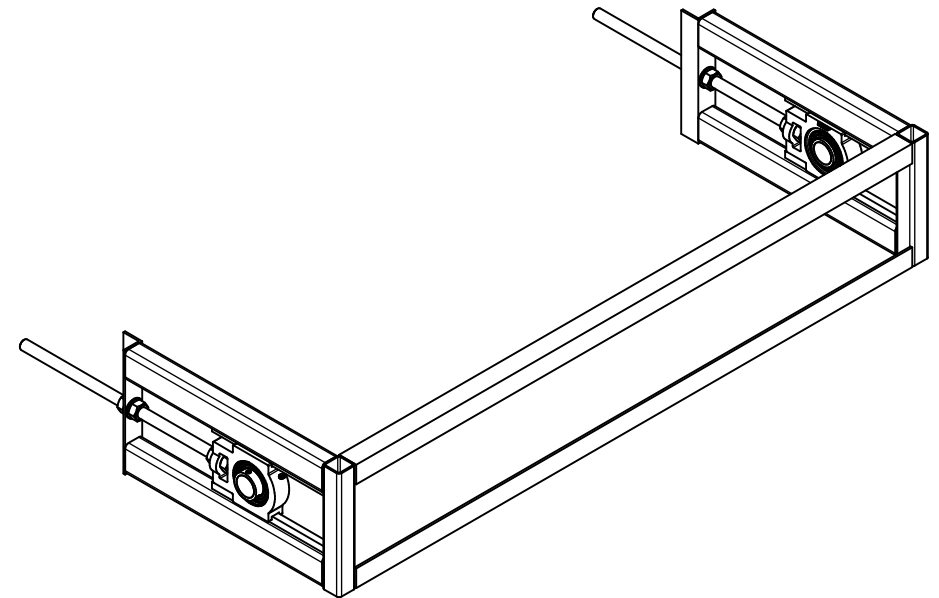
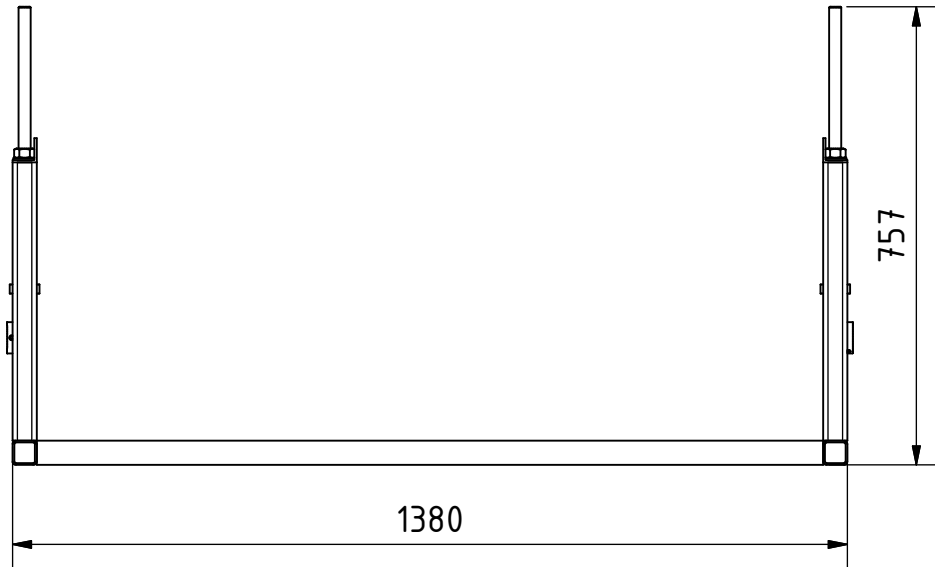
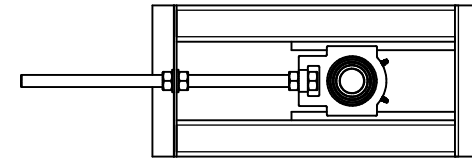
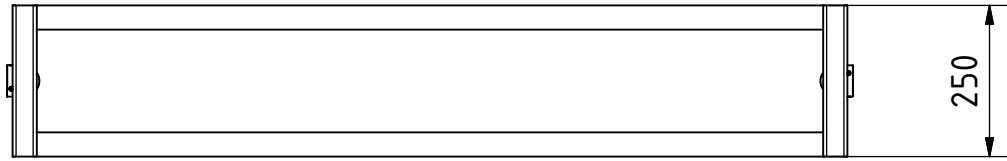


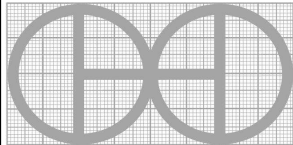
PROJECT Conveyor belt for hemp processing - model1		CREATED BY A. Morillo	APPROVED BY D. Jaeger	DATE 04-07-2024	VERSION 0.01
PART NAME		SPECIFICACIONES			CODE 1.2.4
DEVELOPED BY Hanfasser		REDESIGNED BY 	FILENAME		QTY
		LICENSE CC-BY-SA 4.0		DOC. TYPE	SCALE SHEET 31 /55

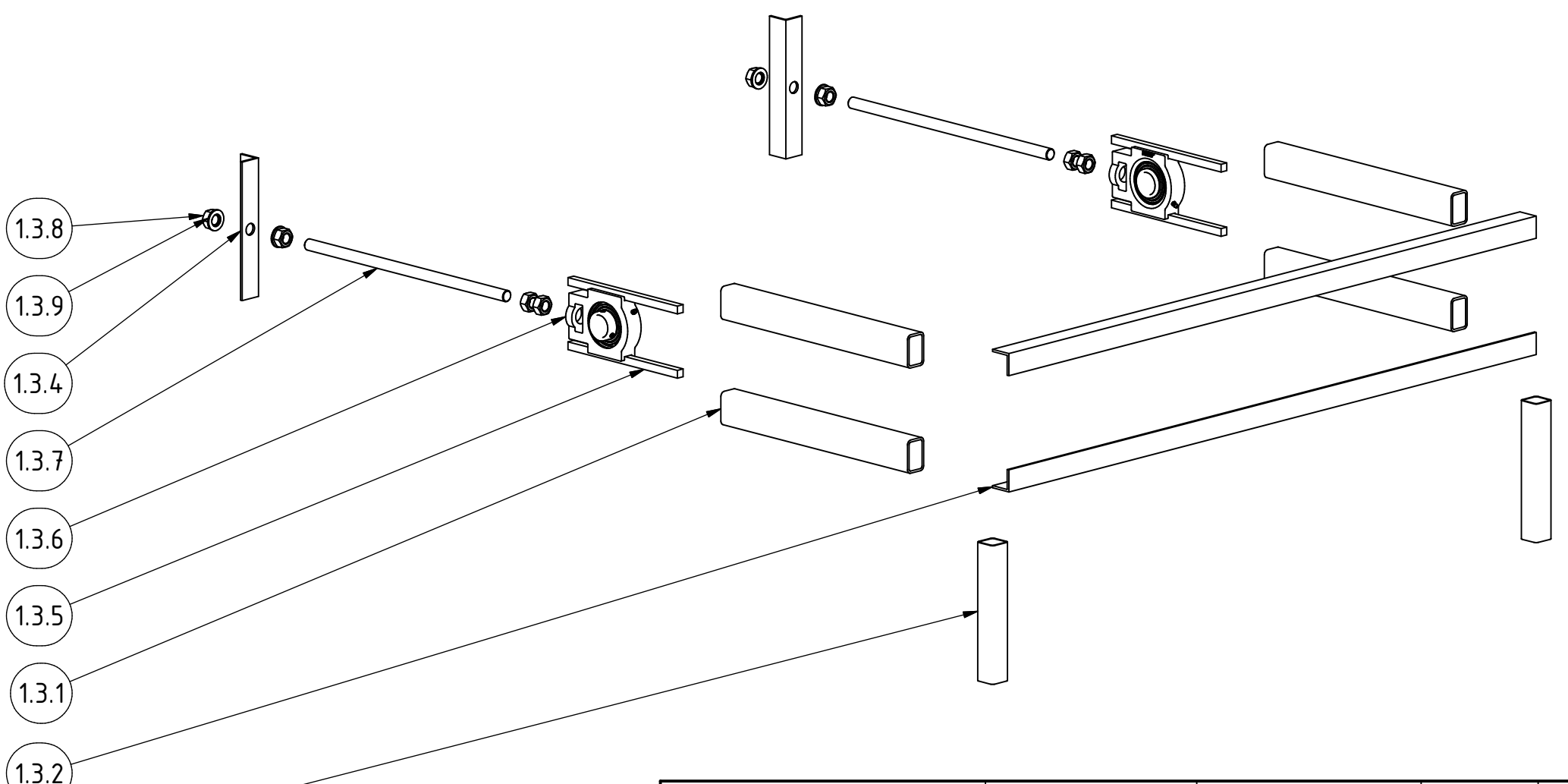
OHO e.V.



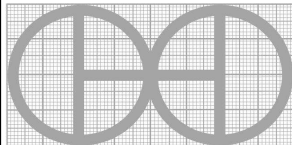
PROJECT Conveyor belt for hemp processing - model1		CREATED BY A. Morillo	APPROVED BY D. Jaeger	DATE 04-07-2024	VERSION 0.01
PART NAME		SPECIFICACIONES			CODE 1.2.5
DEVELOPED BY Hanfasser		REDESIGNED BY 	FILENAME OHO e.V.		QTY
		LICENSE CC-BY-SA 4.0	DOC. TYPE	SCALE	SHEET 32 /55

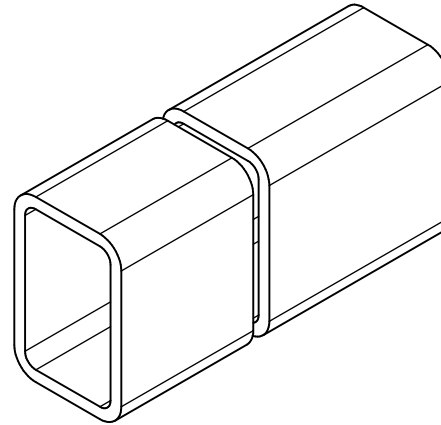
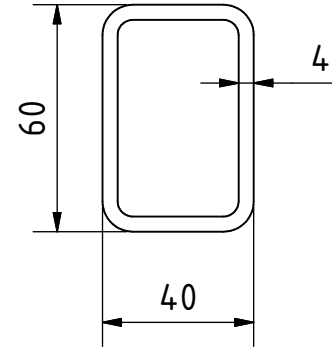
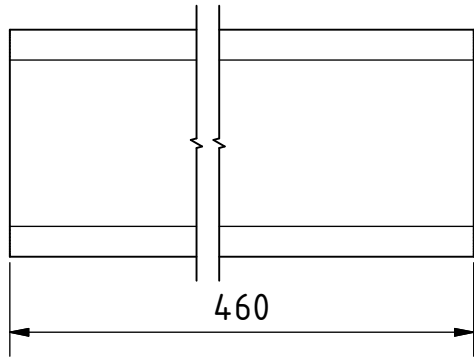


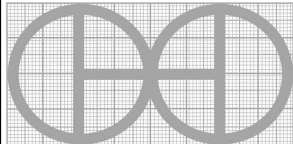
PROJECT Conveyor belt for hemp processing - model1		CREATED BY A. Morillo	APPROVED BY D. Jaeger	DATE 04-07-2024	VERSION 0.01
PART NAME		SPECIFICACIONES			CODE 1.3.0
DEVELOPED BY	REDESIGNED BY	FILENAME		QTY	
Handfasser		OHO e.V.		SHEET	
		LICENSE CC-BY-SA 4.0	DOC. TYPE	SCALE	34 /55

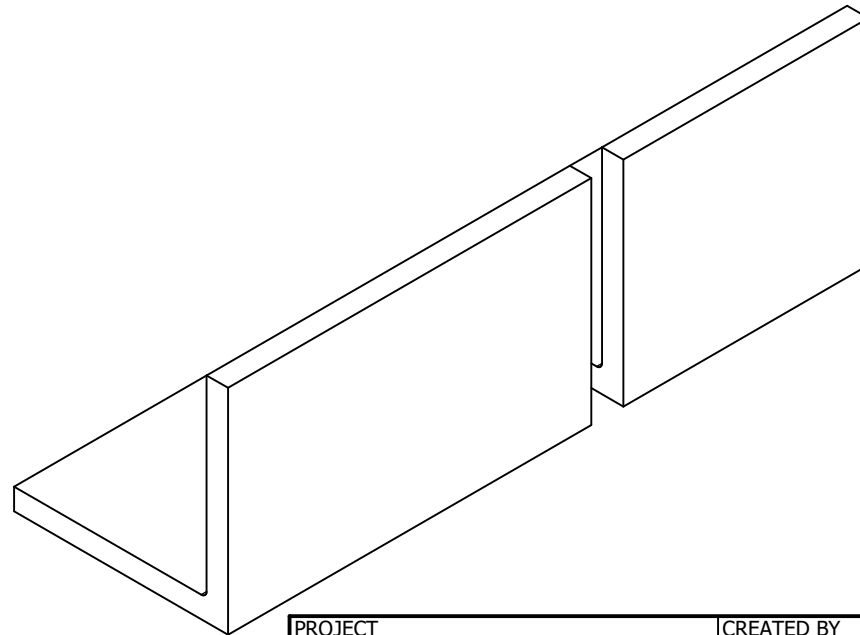
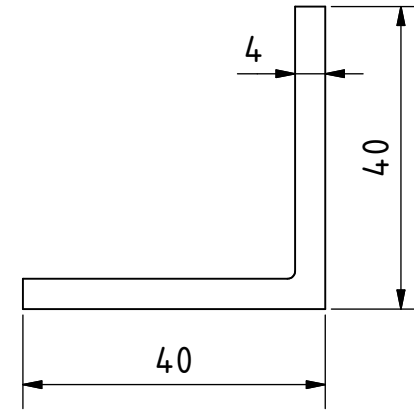
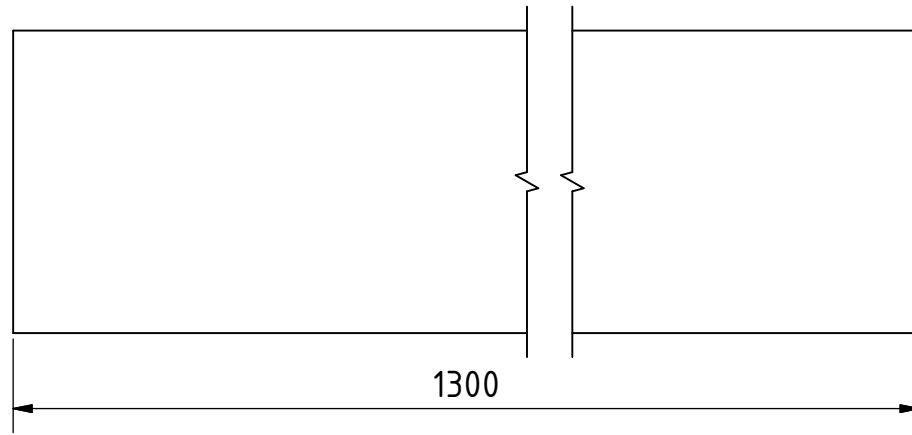


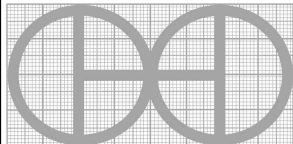
- 1.3.8
- 1.3.9
- 1.3.4
- 1.3.7
- 1.3.6
- 1.3.5
- 1.3.1
- 1.3.2
- 1.3.3

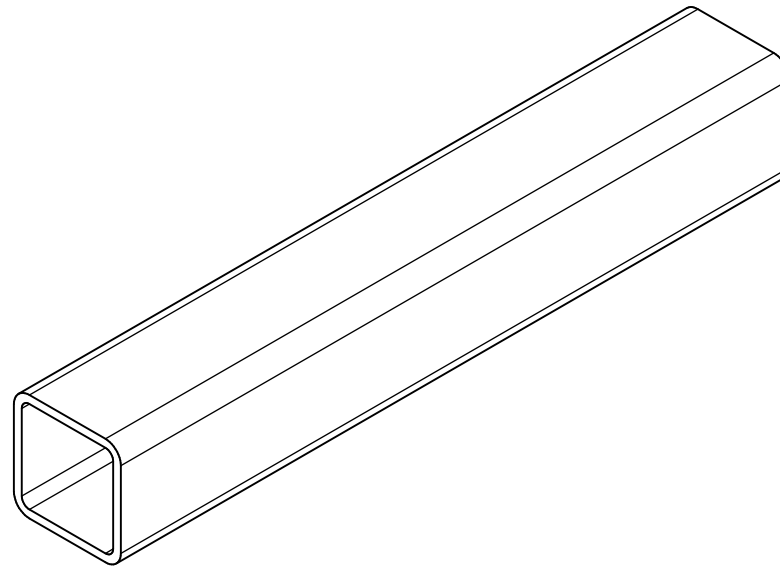
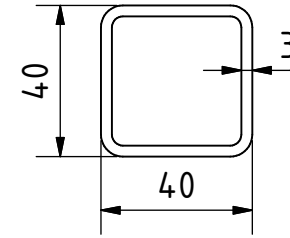
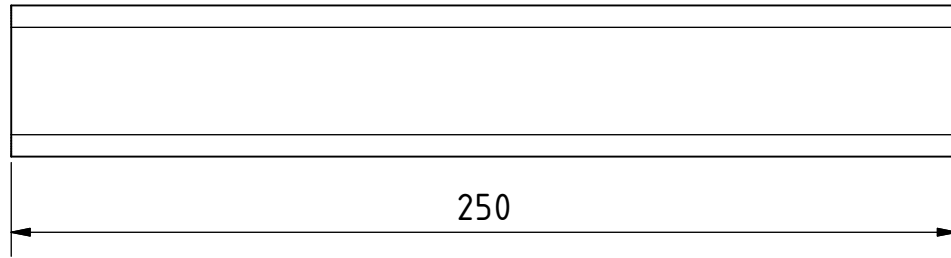
PROJECT Conveyor belt for hemp processing - model1		CREATED BY A. Morillo	APPROVED BY D. Jaeger	DATE 04-07-2024	VERSION 0.01
PART NAME		SPECIFICACIONES			CODE 1.3.0
DEVELOPED BY Hanfasser		REDESIGNED BY 	FILENAME		QTY
		OHO e.V.	LICENSE CC-BY-SA 4.0	DOC. TYPE	SCALE SHEET 35 /55

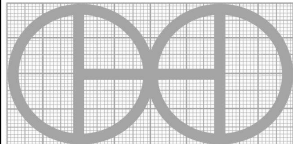


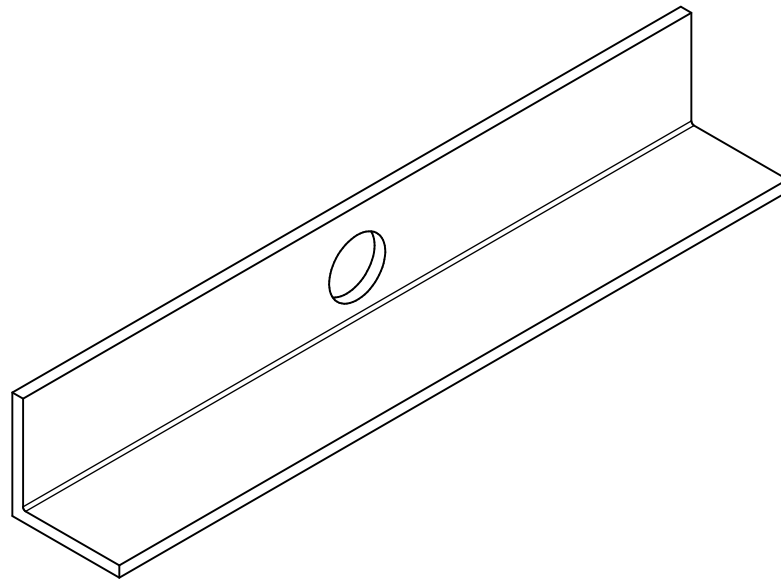
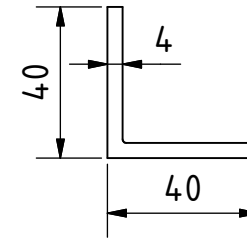
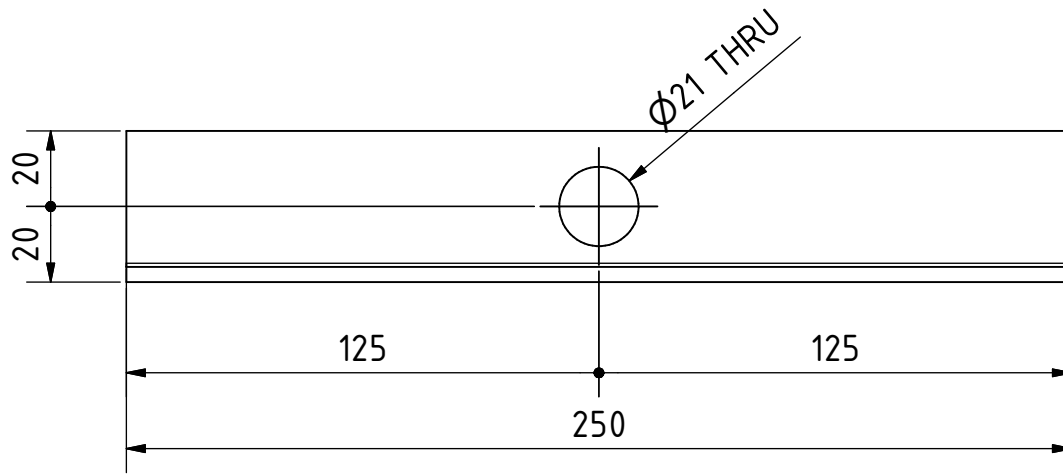
PROJECT Conveyor belt for hemp processing - model1		CREATED BY A. Morillo	APPROVED BY D. Jaeger	DATE 04-07-2024	VERSION 0.01
PART NAME		SPECIFICACIONES			CODE 1.3.1
DEVELOPED BY Hanfasser	REDESIGNED BY	FILENAME		QTY	
		OHO e.V.	LICENSE CC-BY-SA 4.0	DOC. TYPE	SCALE
					SHEET 36 / 55

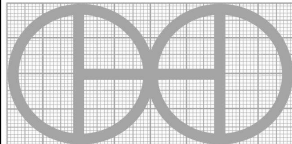


PROJECT Conveyor belt for hemp processing - model1		CREATED BY A. Morillo	APPROVED BY D. Jaeger	DATE 04-07-2024	VERSION 0.01
PART NAME		SPECIFICACIONES			CODE 1.3.2
DEVELOPED BY Hanfasser		REDESIGNED BY 	FILENAME		QTY
		OHO e.V.	LICENSE CC-BY-SA 4.0	DOC. TYPE	SCALE
					SHEET 37 /55

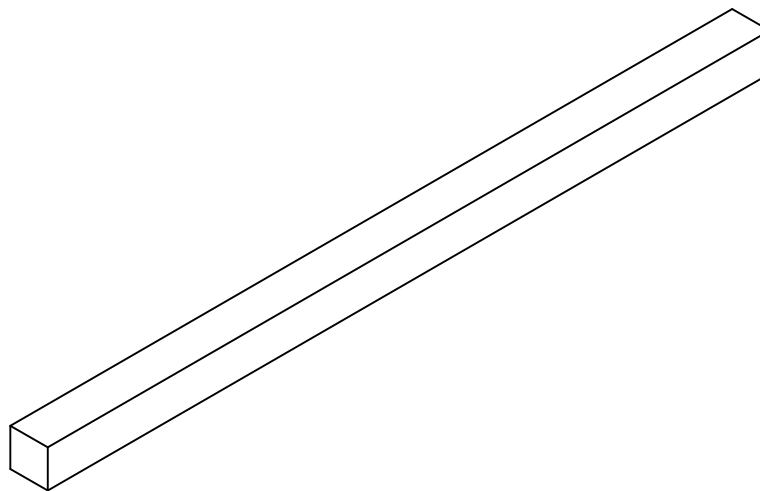
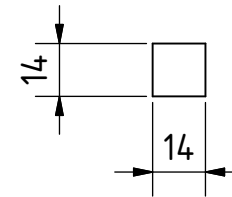
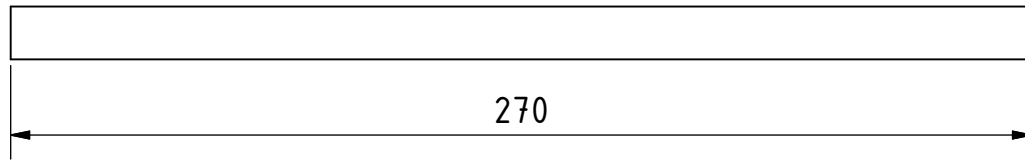


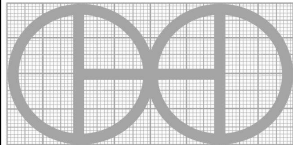
PROJECT Conveyor belt for hemp processing - model1		CREATED BY A. Morillo	APPROVED BY D. Jaeger	DATE 04-07-2024	VERSION 0.01
PART NAME		SPECIFICACIONES			CODE 1.3.3
DEVELOPED BY Hanfasser		REDESIGNED BY 	FILENAME OHO e.V.		QTY
		LICENSE CC-BY-SA 4.0	DOC. TYPE	SCALE	SHEET 38 /55

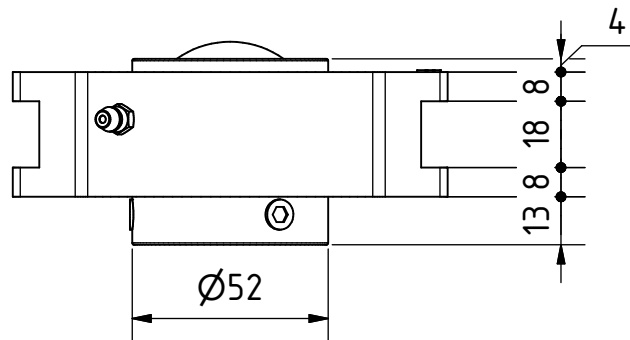
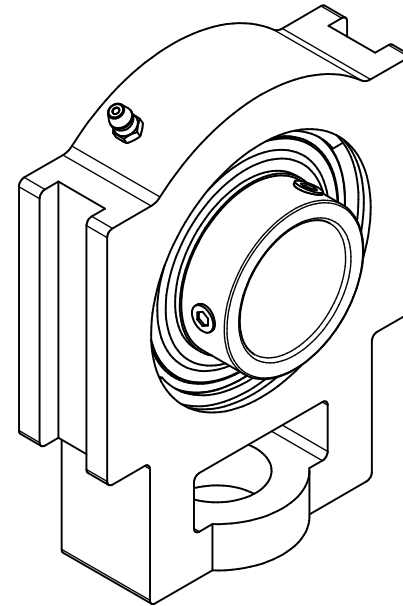
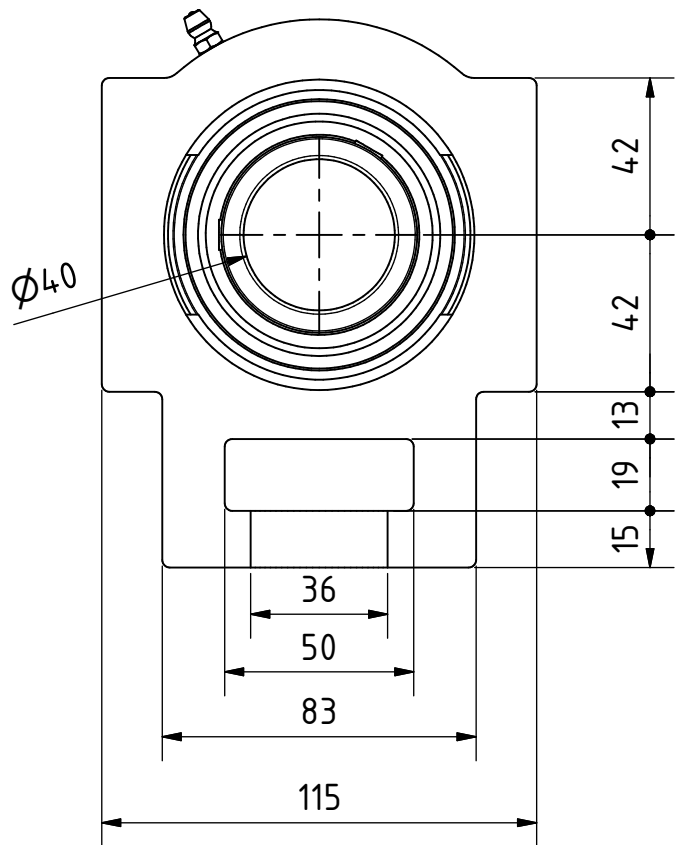


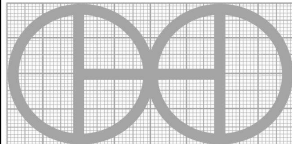
PROJECT Conveyor belt for hemp processing - model1		CREATED BY A. Morillo	APPROVED BY D. Jaeger	DATE 04-07-2024	VERSION 0.01
PART NAME		SPECIFICACIONES			CODE 1.3.4
DEVELOPED BY Hanfasser	REDESIGNED BY 	FILENAME		QTY	
		LICENSE CC-BY-SA 4.0	DOC. TYPE	SCALE	SHEET 39 /55

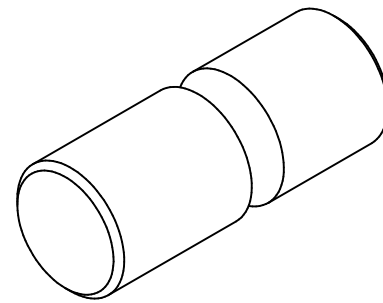
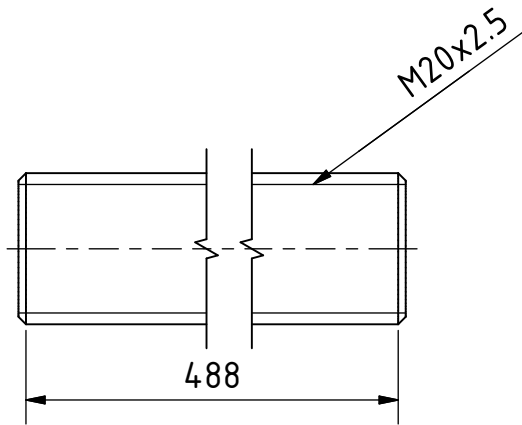
OHO e.V.

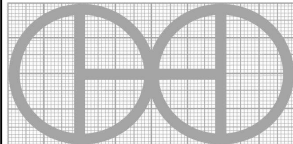


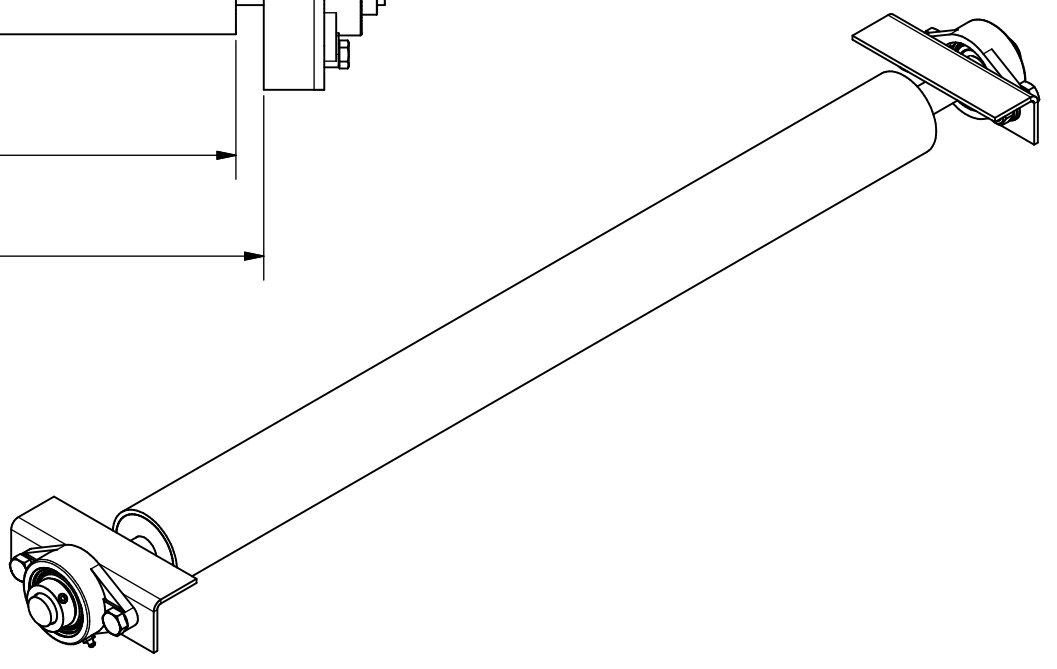
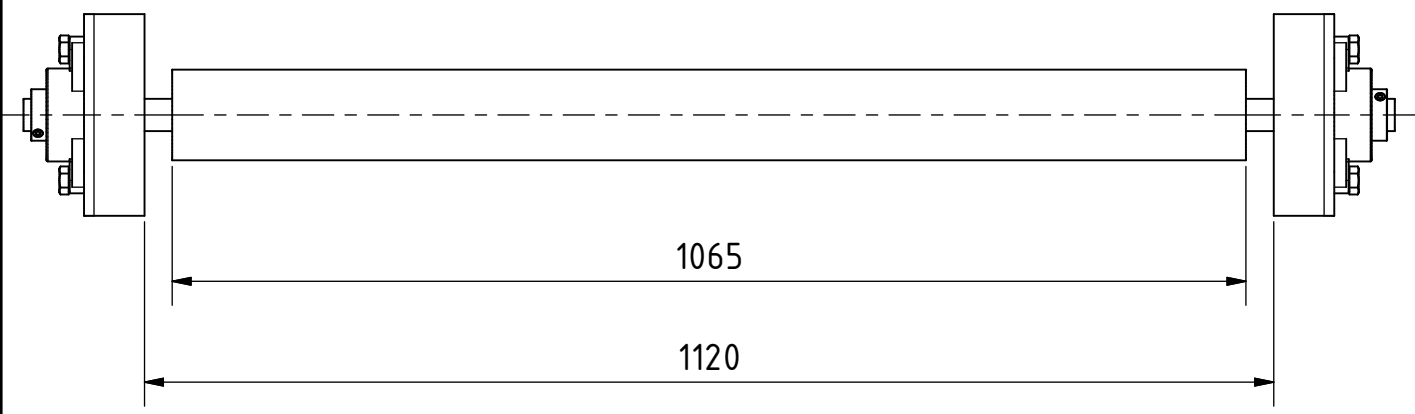
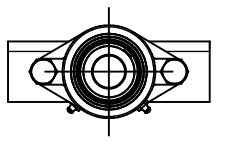
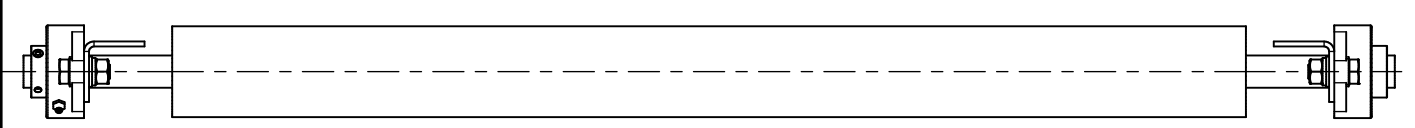
PROJECT Conveyor belt for hemp processing - model1		CREATED BY A. Morillo	APPROVED BY D. Jaeger	DATE 04-07-2024	VERSION 0.01
PART NAME		SPECIFICACIONES			CODE 1.3.5
DEVELOPED BY Hanfasser		REDESIGNED BY 	FILENAME		QTY
		OHO e.V. LICENSE CC-BY-SA 4.0		DOC. TYPE	SCALE SHEET 40 /55

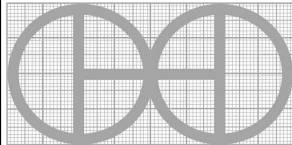


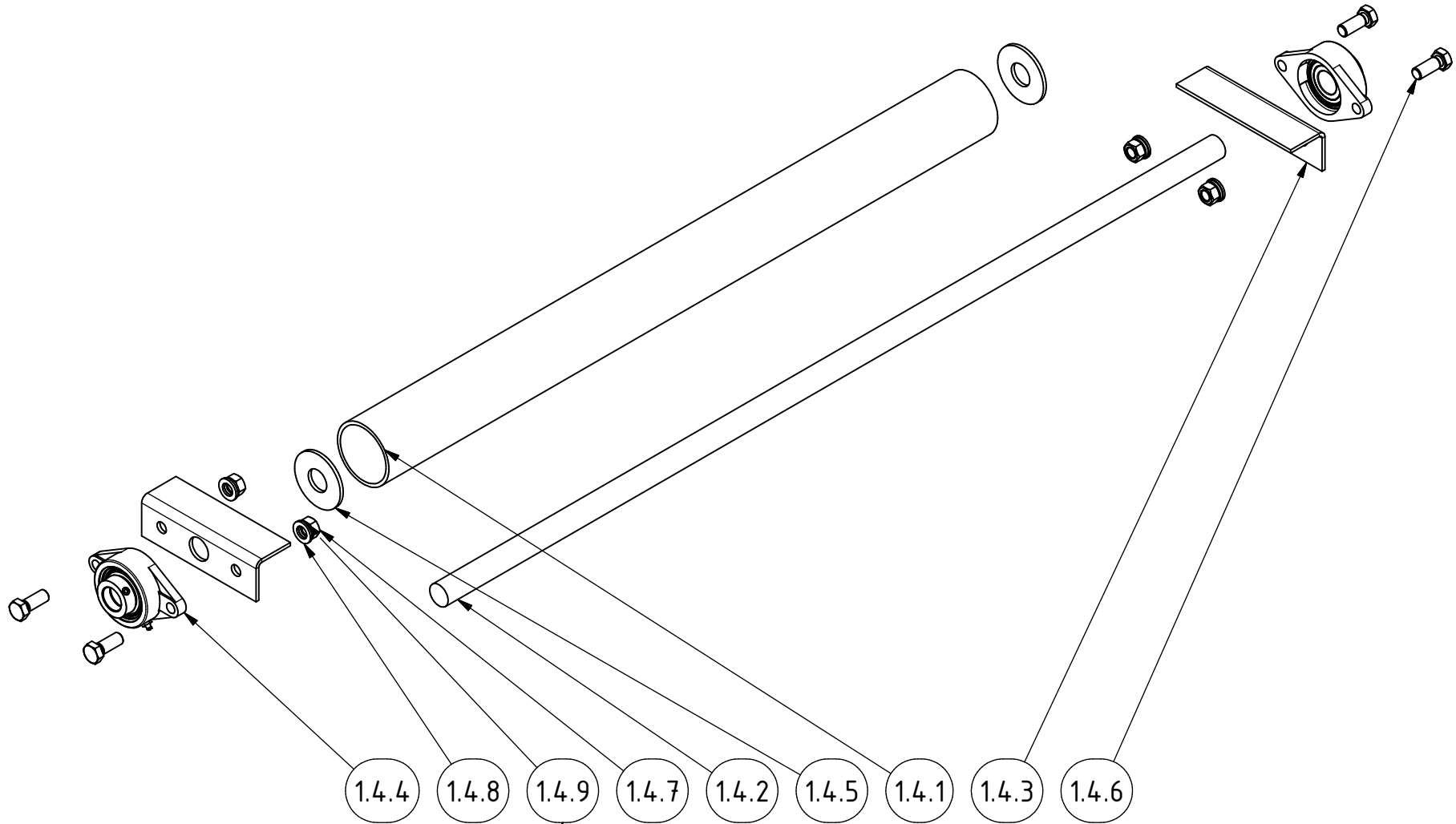
PROJECT Conveyor belt for hemp processing - model1		CREATED BY A. Morillo	APPROVED BY D. Jaeger	DATE 04-07-2024	VERSION 0.01
PART NAME		SPECIFICACIONES			CODE 1.3.6
DEVELOPED BY Hanfasser	REDESIGNED BY	FILENAME		QTY	
		OHO e.V.	LICENSE CC-BY-SA 4.0	DOC. TYPE	SCALE SHEET 41 /55



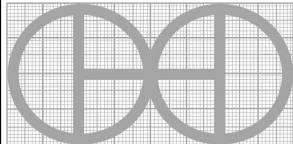
PROJECT Conveyor belt for hemp processing - model1		CREATED BY A. Morillo	APPROVED BY D. Jaeger	DATE 04-07-2024	VERSION 0.01
PART NAME		SPECIFICACIONES			CODE 1.3.7
DEVELOPED BY Hanfasser	REDESIGNED BY	FILENAME		QTY	
		OHO e.V.	LICENSE CC-BY-SA 4.0	DOC. TYPE	SCALE
					SHEET 42 /55

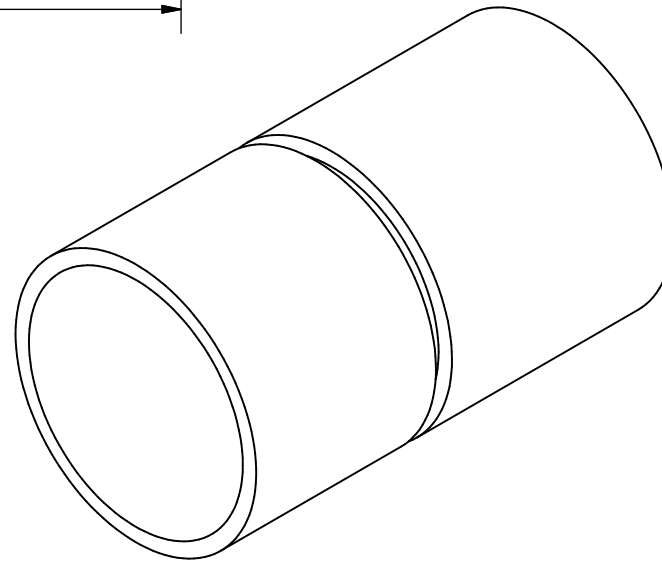
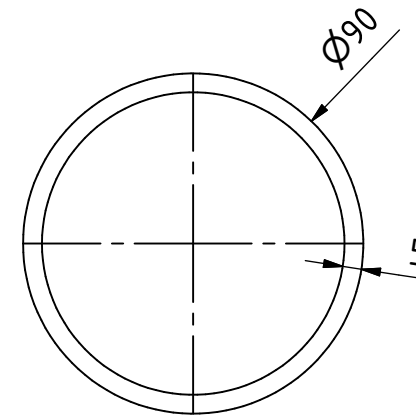
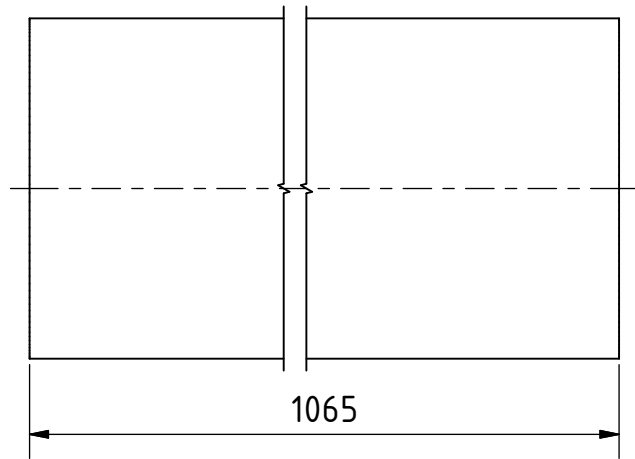


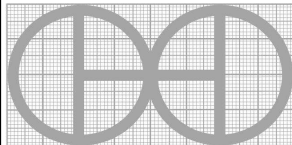
PROJECT Conveyor belt for hemp processing - model1		CREATED BY A. Morillo	APPROVED BY D. Jaeger	DATE 04-07-2024	VERSION 0.01
PART NAME		SPECIFICACIONES			CODE 1.4.0
DEVELOPED BY Hanfasser		REDESIGNED BY 	FILENAME		QTY
		OHO e.v.	LICENSE CC-BY-SA 4.0	DOC. TYPE	SCALE SHEET 45 /55



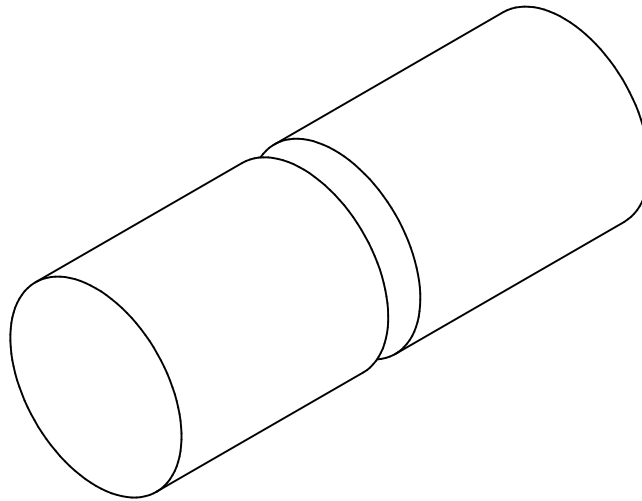
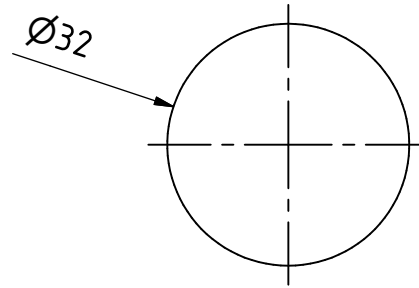
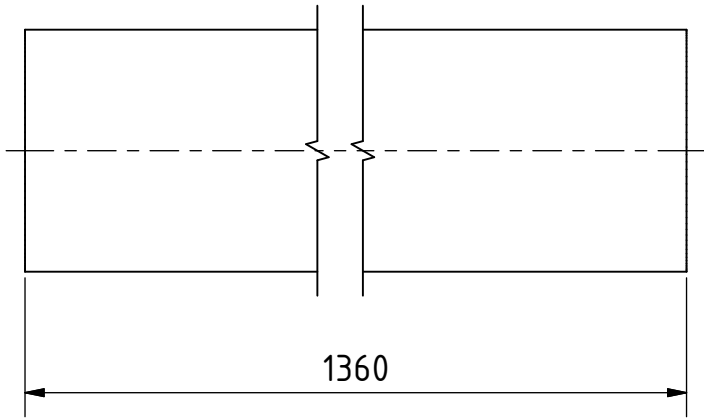
spring washer

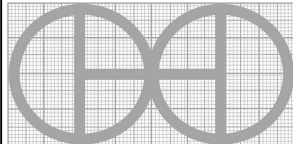
PROJECT Conveyor belt for hemp processing - model1		CREATED BY A. Morillo	APPROVED BY D. Jaeger	DATE 04-07-2024	VERSION 0.01
PART NAME		SPECIFICACIONES			CODE 1.4.0
DEVELOPED BY Hanfasser		REDESIGNED BY 	FILENAME		QTY
		OHO e.V.	LICENSE CC-BY-SA 4.0	DOC. TYPE	SCALE SHEET 46 / 55



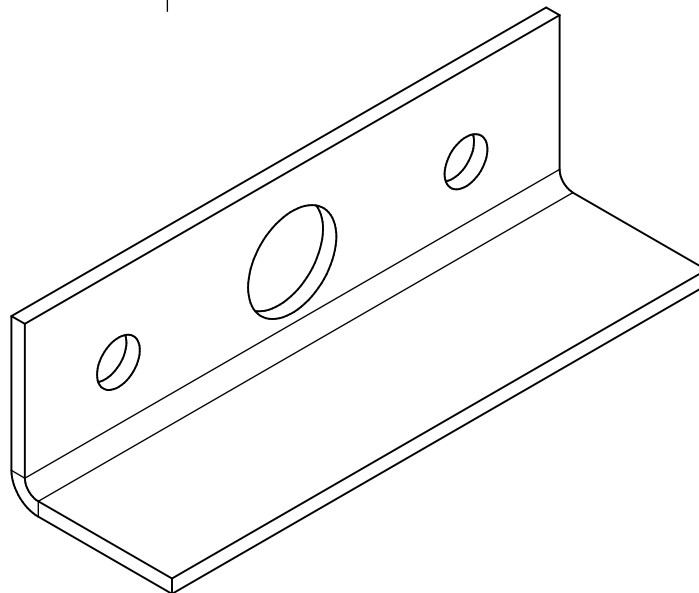
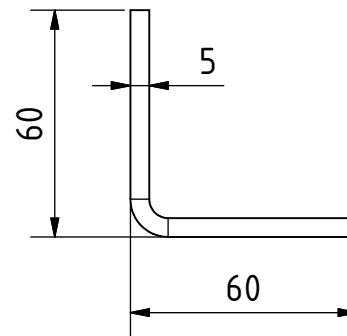
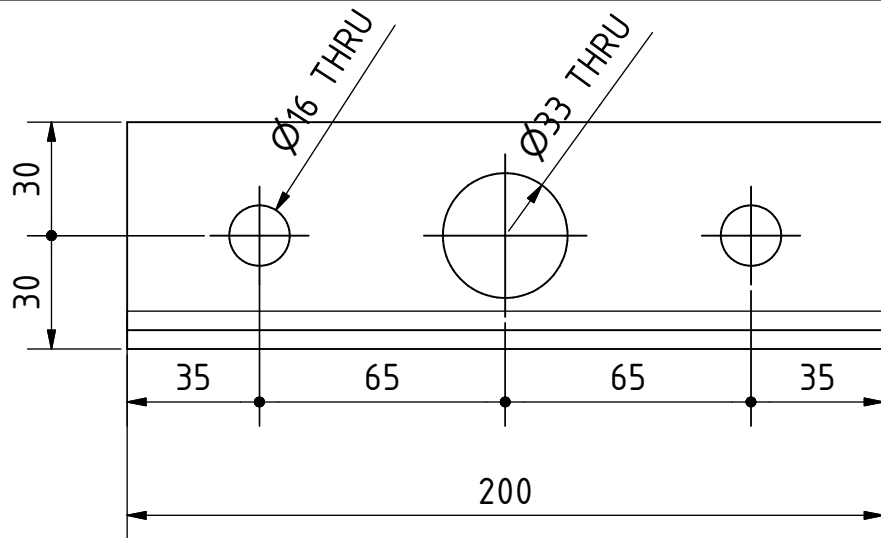
PROJECT Conveyor belt for hemp processing - model1		CREATED BY A. Morillo	APPROVED BY D. Jaeger	DATE 04-07-2024	VERSION 0.01
PART NAME		SPECIFICACIONES			CODE 1.4.1
DEVELOPED BY Hanfasser		REDESIGNED BY 	FILENAME		QTY
		LICENSE CC-BY-SA 4.0		DOC. TYPE	SCALE SHEET 47 /55

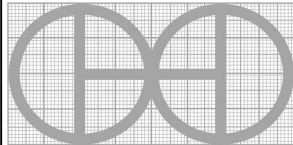
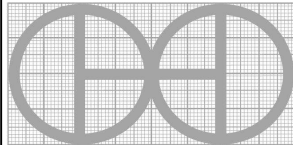
OHO e.V.

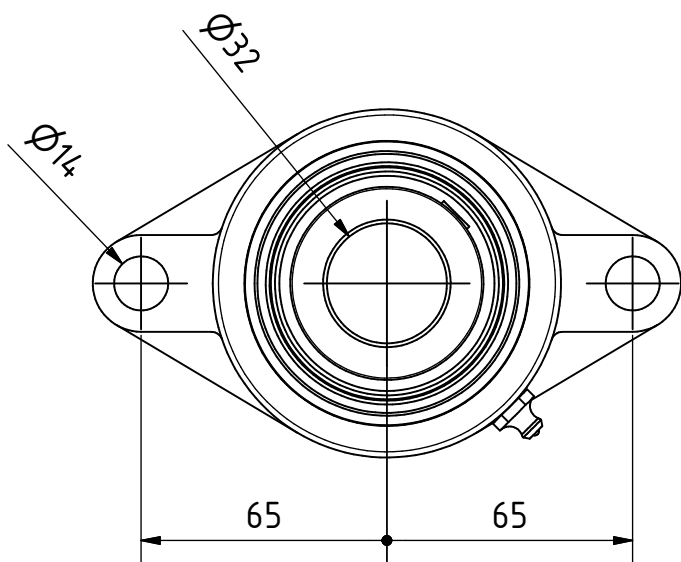
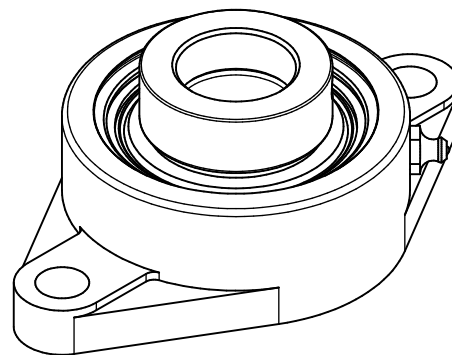
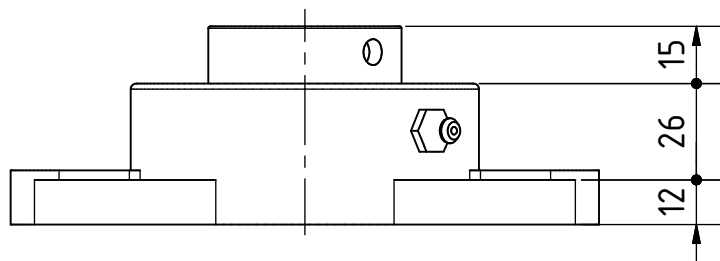


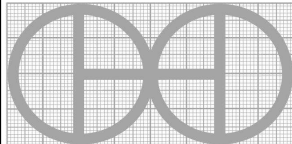
PROJECT Conveyor belt for hemp processing - model1		CREATED BY A. Morillo	APPROVED BY D. Jaeger	DATE 04-07-2024	VERSION 0.01
PART NAME		SPECIFICACIONES			CODE 1.4.2
DEVELOPED BY Hanfasser		REDESIGNED BY 	FILENAME		QTY
		LICENSE CC-BY-SA 4.0		DOC. TYPE	SCALE SHEET 48 /55

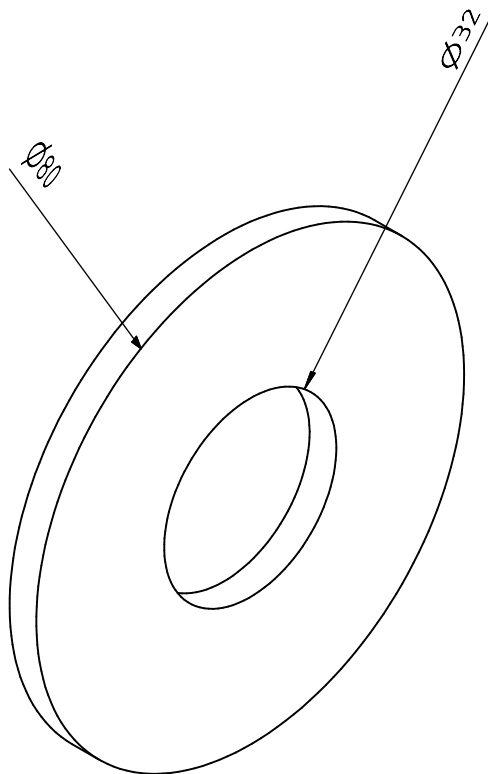
OHO e.V.

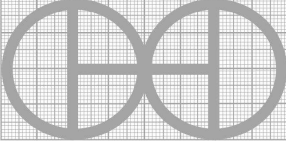


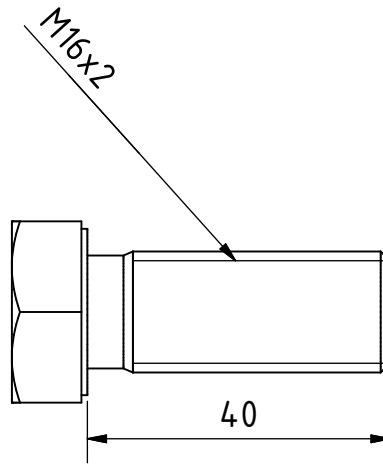
PROJECT Conveyor belt for hemp processing - model1		CREATED BY A. Morillo	APPROVED BY D. Jaeger	DATE 04-07-2024	VERSION 0.01
PART NAME		SPECIFICACIONES			CODE 1.4.3
DEVELOPED BY Hanfasser		REDESIGNED BY 	FILENAME		QTY
			LICENSE CC-BY-SA 4.0	DOC. TYPE	SCALE
					SHEET 49 / 55

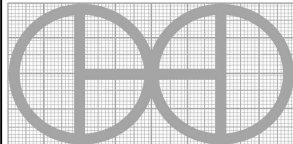


PROJECT Conveyor belt for hemp processing - model1		CREATED BY A. Morillo	APPROVED BY D. Jaeger	DATE 04-07-2024	VERSION 0.01
PART NAME		SPECIFICACIONES			CODE 1.4.4
DEVELOPED BY Hanfasser		REDESIGNED BY 	FILENAME OHO e.v.		QTY
		LICENSE CC-BY-SA 4.0	DOC. TYPE	SCALE	SHEET 50 /55



PROJECT Conveyor belt for hemp processing - model1		CREATED BY A. Morillo	APPROVED BY D. Jaeger	DATE 04-07-2024	VERSION 0.01
PART NAME		SPECIFICACIONES			CODE 1.4.5
DEVELOPED BY Hanfasser		REDESIGNED BY 	FILENAME OHO e.V.		QTY
		LICENSE CC-BY-SA 4.0	DOC. TYPE	SCALE	SHEET 51 /55



PROJECT Conveyor belt for hemp processing - model1		CREATED BY A. Morillo	APPROVED BY D. Jaeger	DATE 04-07-2024	VERSION 0.01
PART NAME		SPECIFICACIONES			CODE 1.4.6
DEVELOPED BY Hanfasser		REDESIGNED BY 	FILENAME OHO e.V.		QTY
		LICENSE CC-BY-SA 4.0	DOC. TYPE	SCALE	SHEET 52 /55