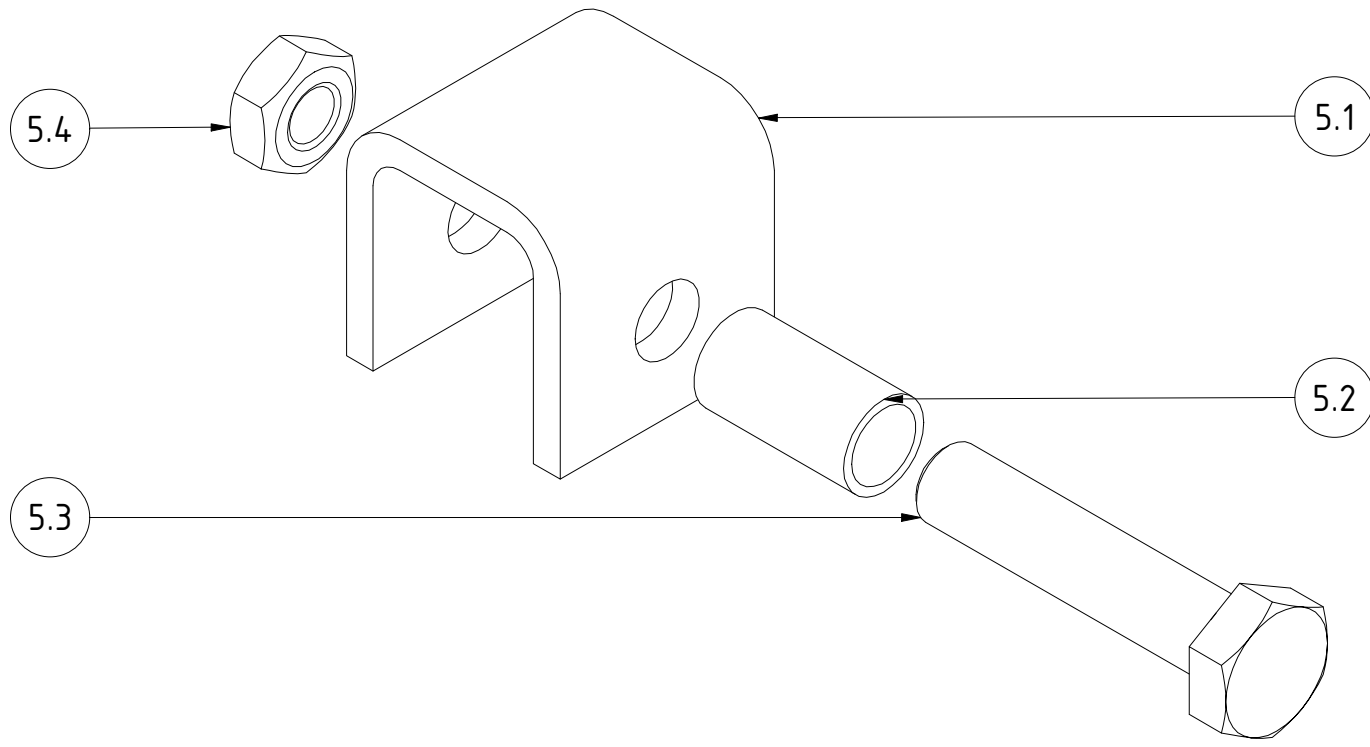


Note: All units in mm.

PROJECT Convertible Bicycle Trailer for People - with shock absorber		CREATED BY J. Rosciano	APPROVED BY A. Morillo	DATE 26/07/2021	VERSION 1.1
PART NAME Hinge assembly		FILE NAME Hinge assembly.iam			POS 5.0
DEVELOPED BY Practical Action	REDESIGNED BY OHO e.V.	DOC. TYPE Assembly	MATERIAL	QUANTITY 2	
		LICENCE CC-BY-SA 4.0	SCALE 1/1	SHEET 32 /51	



PROJECT Convertible Bicycle Trailer for People - with shock absorber		CREATED BY J. Rosciano	APPROVED BY A. Morillo	DATE 26/07/2021	VERSION 1.1
PART NAME Hinge assembly		FILE NAME Hinge assembly.ipn			POS 5.0
DEVELOPED BY Practical Action	REDESIGNED BY OHO e.V.	DOC. TYPE Assembly	MATERIAL	QUANTITY 2	
		LICENCE CC-BY-SA 4.0	SCALE 1/1	SHEET 33 /51	