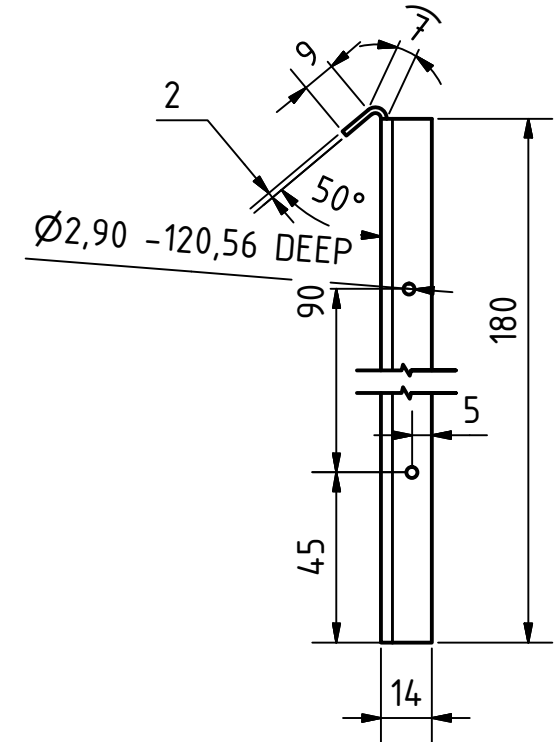
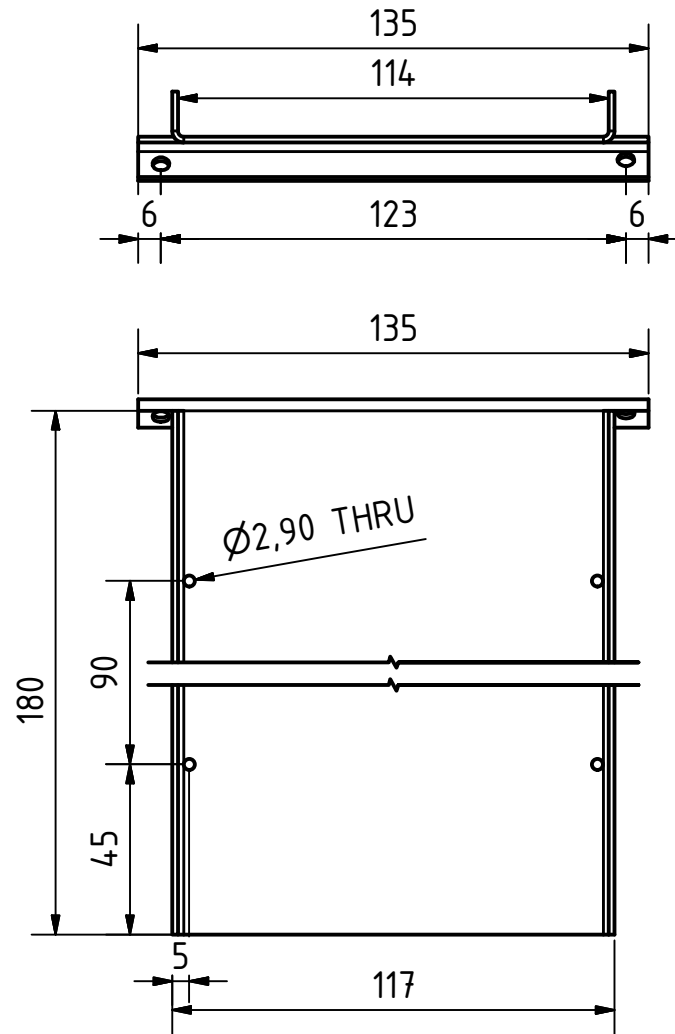
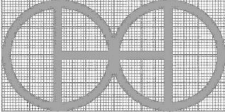


SCALE (1 : 2)



SCALE (1 : 2)

Note: All units in mm.

PROJECT Peeling Machine for Sunflower Seeds	CREATED BY L. Ruda	APPROVED BY A. Morillo	DATE 16/09/2021	VERSION 1.0
PART NAME Chute PA	FILE NAME Part6.ipt			POS 2.5.1
DEVELOPED BY	REDESIGNED BY 	DOC. TYPE Part	MATERIAL Aluminium Alloy	QUANTITY 1
Tropical Products Institute	OHO e.V.	LICENCE CC-BY-SA 4.0	SCALE 1:2	SHEET 34 /71