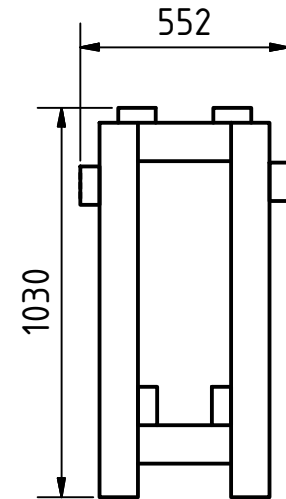
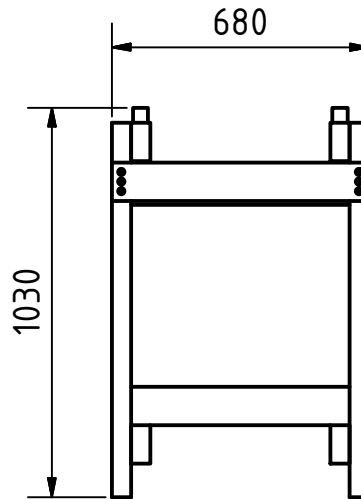
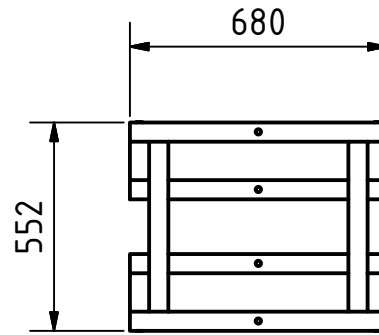
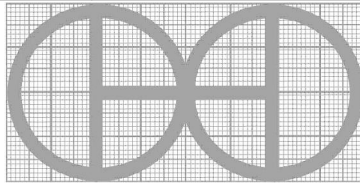


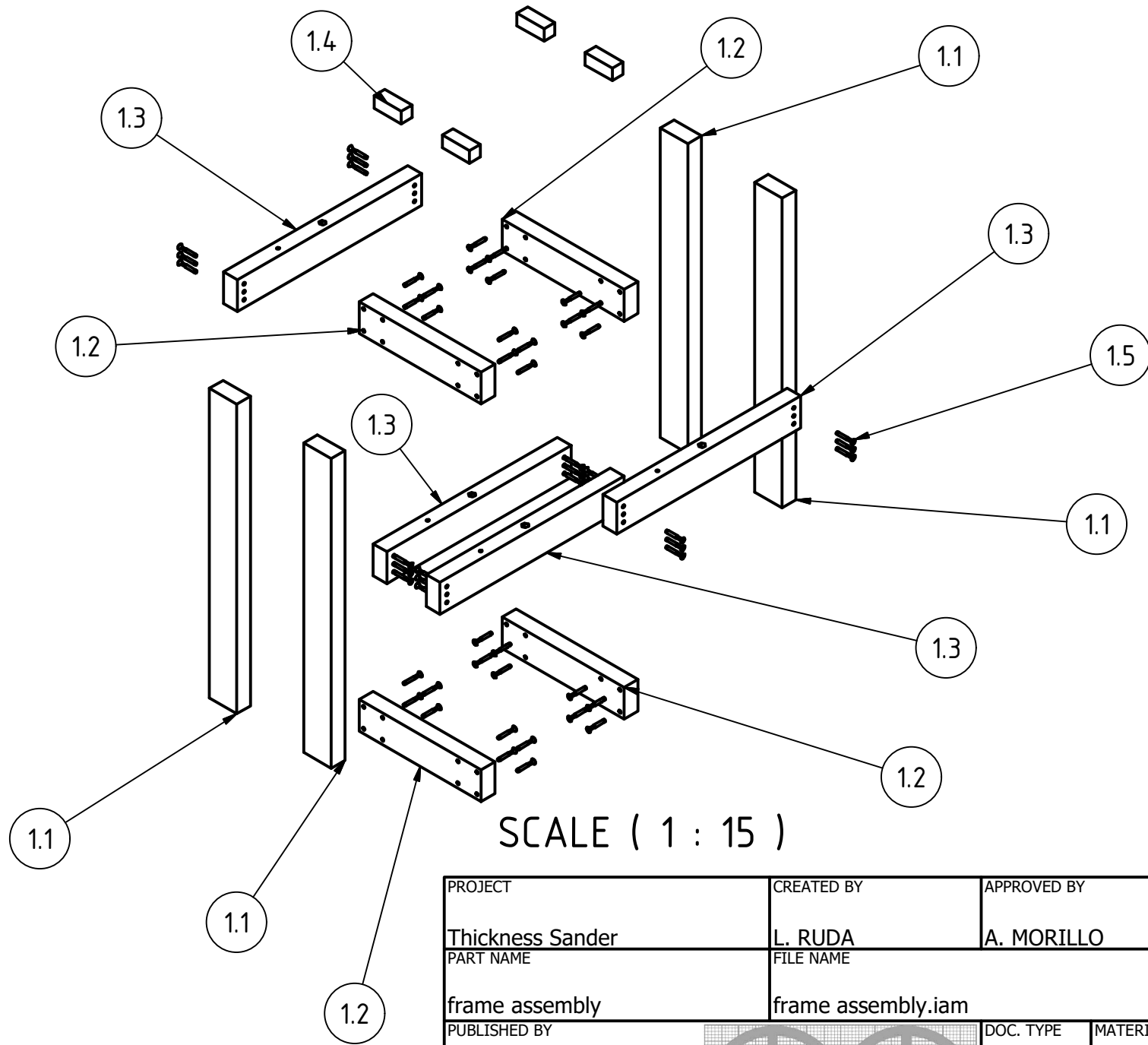
SCALE (1 : 10)



SCALE (1 : 20)

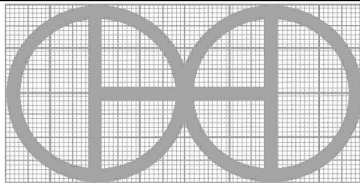
Note: All units in mm.

PROJECT	CREATED BY	APPROVED BY	DATE	VERSION
Thickness Sander	L. RUDA	A. MORILLO	06/10/2021	1.0
PART NAME	FILE NAME			POS
frame assembly	frame assembly.iam			1.0
PUBLISHED BY		DOC. TYPE	MATERIAL	QUANTITY
OHO e.V.		Assembly		1
	LICENCE	SCALE	SHEET	
	CC-BY-SA 4.0	1:20	6 /22	



SCALE (1 : 15)

Note: All units in mm.

PROJECT	CREATED BY	APPROVED BY	DATE	VERSION
Thickness Sander	L. RUDA	A. MORILLO	06/10/2021	1.0
PART NAME	FILE NAME			POS
frame assembly	frame assembly.iam			1.0
PUBLISHED BY		DOC. TYPE	MATERIAL	QUANTITY
		Assembly		1
		LICENCE	SCALE	SHEET
OHO e.V.		CC-BY-SA 4.0	1:15	7 /22