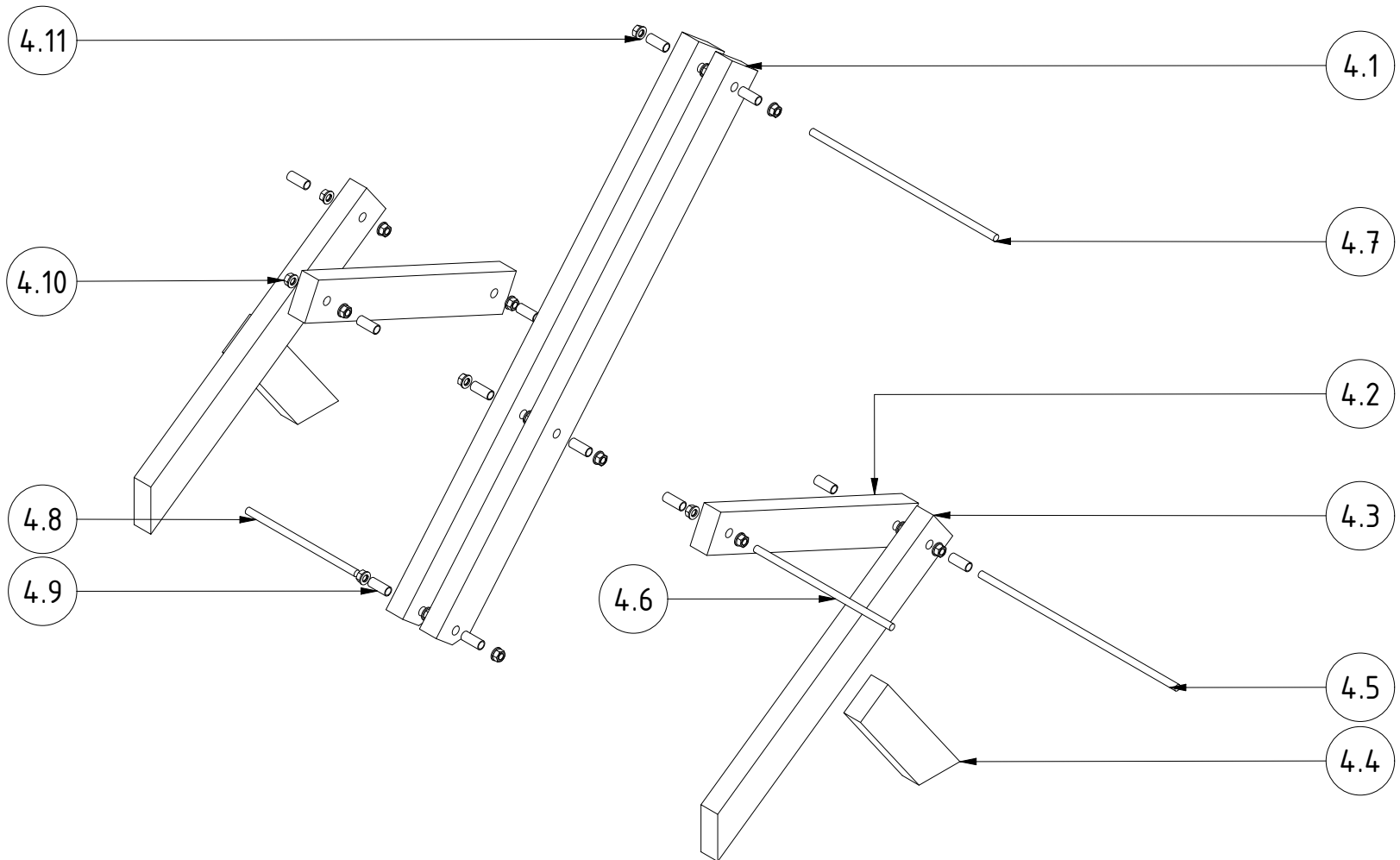


Note: All units in mm.

PROJECT	CREATED BY	APPROVED BY	DATE	VERSION
Hay and Leaf Baler	J. Rosciano	A. Morillo	10/08/2021	1.1
PART NAME	FILE NAME			POS
Lever mechanism assembly	4.0_Lever mechanism assembly			4.0
DEVELOPED BY	REDESIGNED BY	DOC. TYPE	MATERIAL	QUANTITY
Larry McWilliams	OHO e.V.	Assembly		1
		LICENCE	SCALE	SHEET
		CC-BY-SA 4.0	1/15	20 /44



PROJECT	CREATED BY	APPROVED BY	DATE	VERSION
Hay and Leaf Baler	J. Rosciano	A. Morillo	10/08/2021	1.1
PART NAME	FILE NAME			POS
Lever mechanism assembly	4.0_Lever mechanism assembly.ipn			4.0
DEVELOPED BY	REDESIGNED BY	DOC. TYPE	MATERIAL	QUANTITY
Larry McWilliams	OHO e.V.	Assembly		1
		LICENCE	SCALE	SHEET
		CC-BY-SA 4.0	1/14	21 /44