
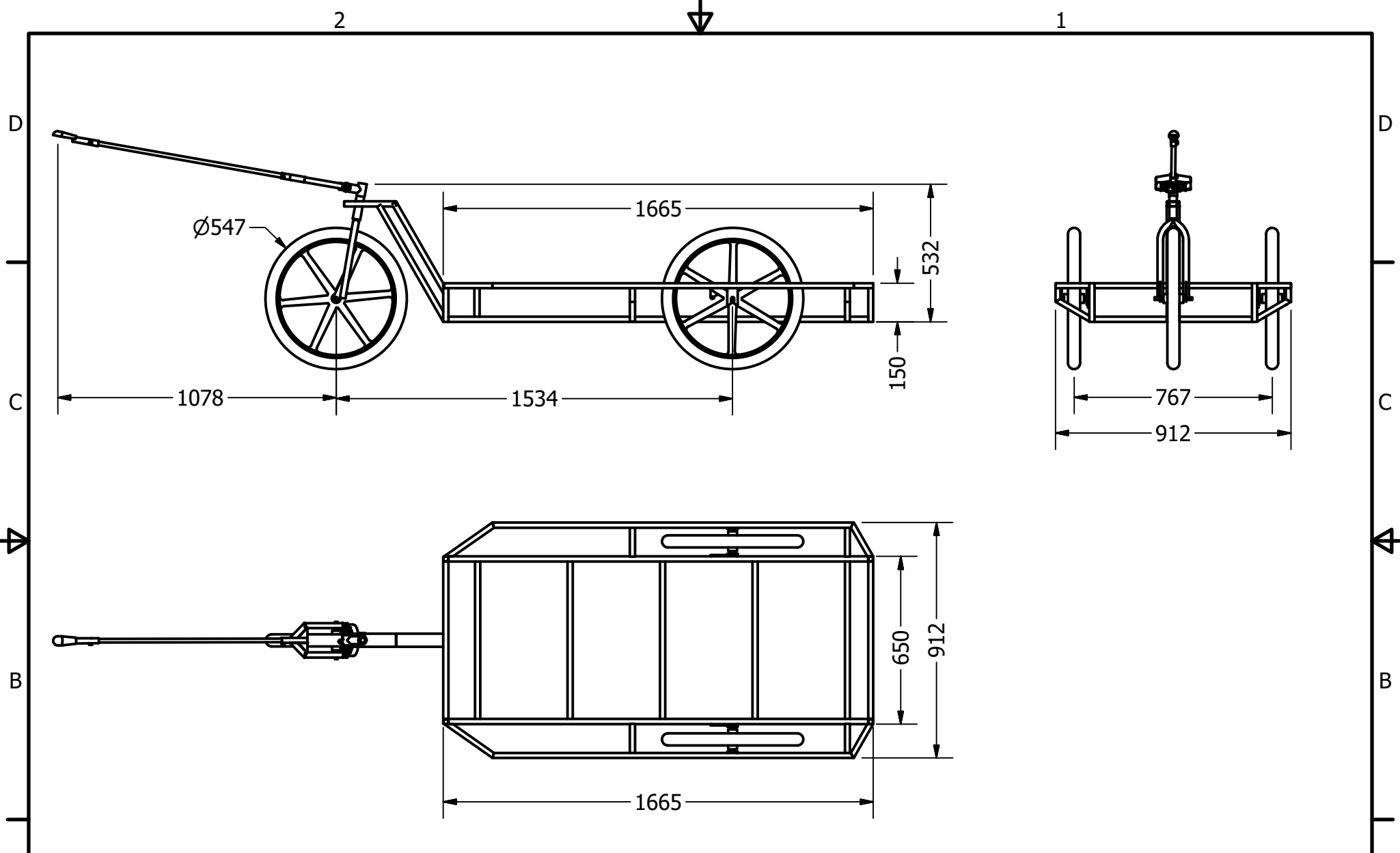



<b>Proyect</b> NOMBRE DE PROYECTO		Created by D. Mosquera		Approved by D. Jeager	
<b>Part Name</b> DESCRIPCION - PLANO CONJUNTO		Part Code A1	Document Type ASSEMBLY		Material
Redesigned by  OPEN SOURCE ECOLOGY GERMANY	Original drawing from <b>Practical ACTION</b>	License CERN-OHL	File Name oseg_cbt_A1_crowd-bicycle-trailer		Version 1.0
			Scale 1:12	Sheet 1	Date 04.12.20



<b>Proyect</b> Crowd bicycle trailer		Created by D. Mosquera		Approved by D. Jeager	
<b>Part Name</b> Crowd-bicycle-trailer		Part Code A1	Document Type ASSEMBLY		Material
Redesigned by  OPEN SOURCE ECOLOGY GERMANY	Original drawing from <b>Practical ACTION</b>	License CERN-OHL	File Name oseg_cbt_A1_crowd-bicycle-trailer		Version 1.0
			Scale 1:12	Sheet 1	Date 04.12.20