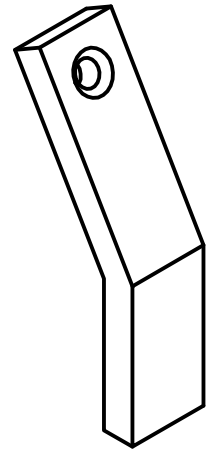
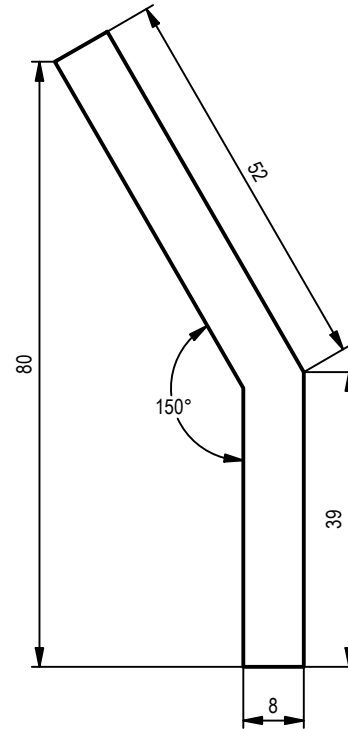



SECTION B-B
SCALE 1 : 1



| | | | | | |
|--|--|-------------------------------|--|---------------------------------|--|
| PROJECT PLATE ROLLING MACHINE | | CREATED BY A. PARDO | | APPROVED BY D. JAEGER | |
| PART NAME | | PART CODE 3.3 | | DOCUMENT TYPE PART | |
|  <p>Open Source Ecology e.V Knobelsdorffstr. 22 14059 Berlin www.ose-germany.de +49 (0) 30 / 92282426</p> | | LICENSE CERN-OHL | | FILE NAME position 1C.ipt | |
| | | SCALE 1 : 1 | | MATERIAL STEEL C45 | |
| | | VERSION 1.0 | | QUANTITY 1 | |
| | | SHEET 27 | | DATE 10/10/2020 | |