
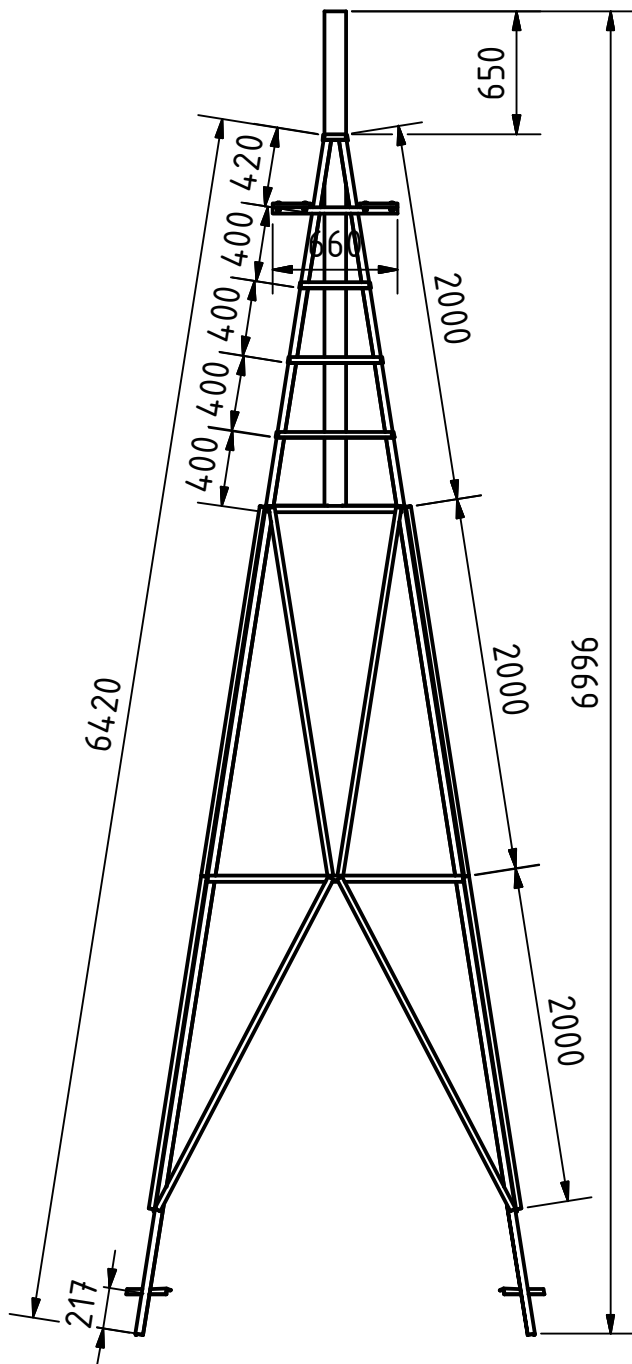
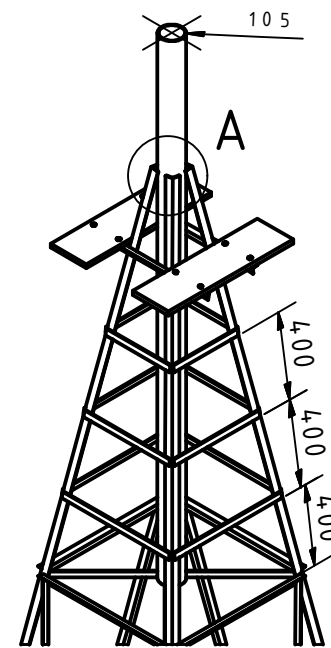
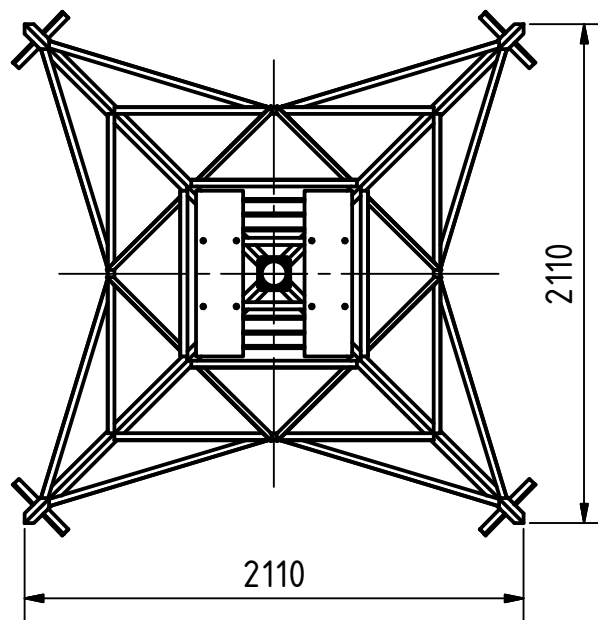


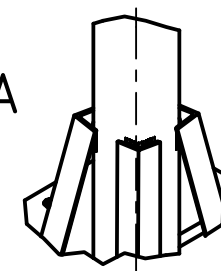
PROJECT	CREATED BY	APPROVED BY	DATE	VERSION
Mast for Wind Turbine	D. Mosquera	A. Morillo	22/06/2021	1.0
PART NAME	FILE NAME			POS
3d views	wot_mwt_A1_mast-wind-turbine2.iam			A1
DEVELOPED BY	REDESIGNED BY	DOC. TYPE	MATERIAL	QUANTITY
	 <small>OPEN SOURCE ECOLOGY GERMANY</small>	Assembly		1
WOT		CC-BY-SA 4.0	SCALE	SHEET
	OSEG		1:35	1 /23




View Top (1 : 32)

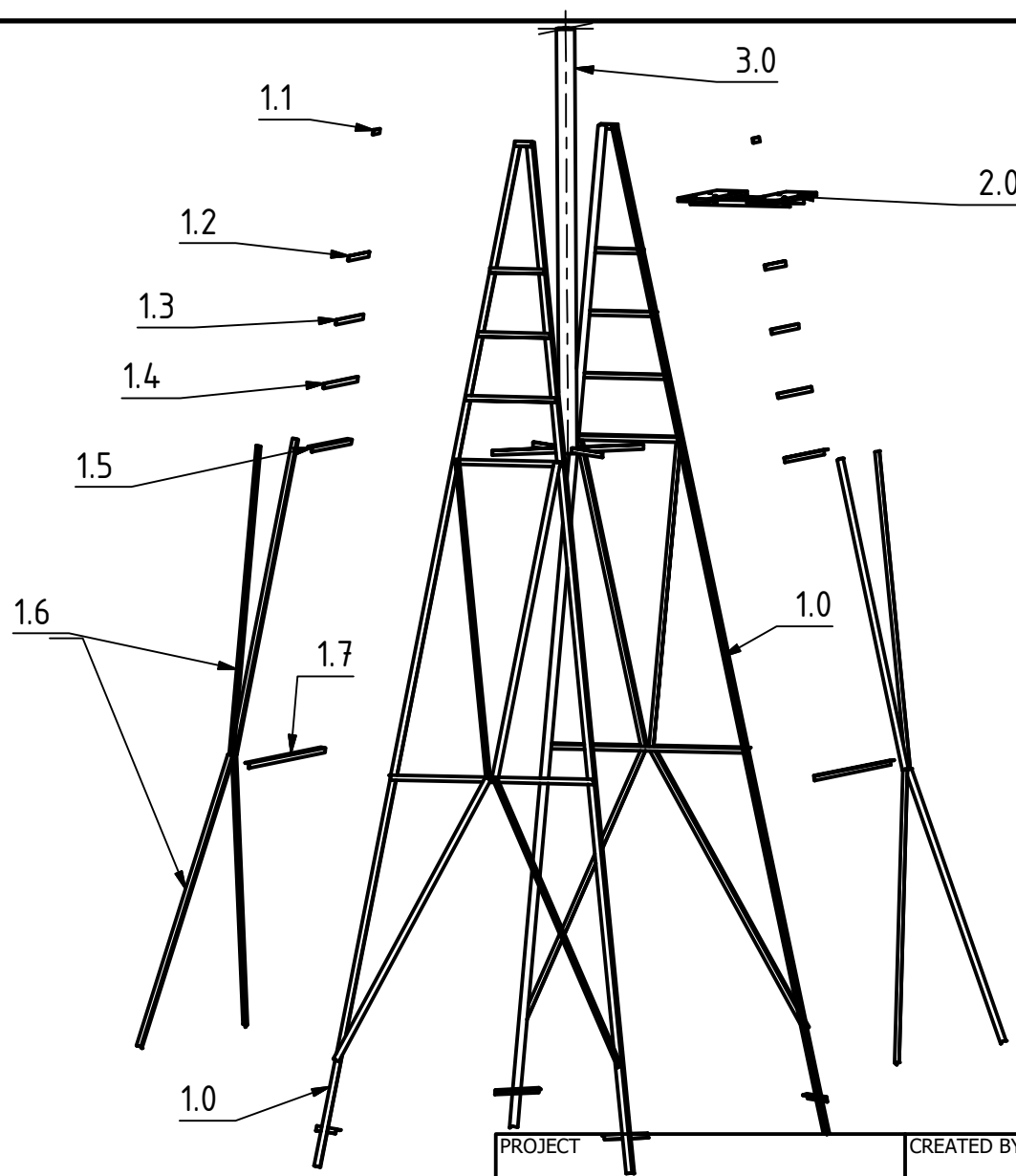



Det.A



To ensure a strong and reliable connection, eight triangular pieces are welded into the tower tube as filler metal.


PROJECT	CREATED BY	APPROVED BY	DATE	VERSION
Mast for Wind Turbine	D. Mosquera	A. Morillo	22/06/2021	1.0
PART NAME	FILE NAME			POS
3d views	wot_mwt_A1_mast-wind-turbine2.iam			A1
DEVELOPED BY	REDESIGNED BY	DOC. TYPE	MATERIAL	QUANTITY
WOT	 OSEG	Assembly		1
		LICENCE	SCALE	SHEET
		CC-BY-SA 4.0	1:40	2 / 23



PROJECT	CREATED BY	APPROVED BY	DATE	VERSION
Mast for Wind Turbine	D. Mosquera	A. Morillo	22/06/2021	1.0
PART NAME	FILE NAME	POS		
Exploded 3d view	wot_mwt_A1_mast-wind-turbine2.ipn	A2		
DEVELOPED BY	REDESIGNED BY	DOC. TYPE	MATERIAL	QUANTITY
WOT	 <small>OPEN SOURCE ECOLOGY GERMANY</small> OSEG	Assembly		1
		LICENCE	SCALE	SHEET
		CC-BY-SA 4.0	1:45	3 /23


Parts list

POS	QTY	PART NAME	FILE NAME	PART TYPE	SPECIFICATIONS	SHEET
A1	1	3d views	wot_mwt_A1_mast-wind-turbine2.iam			1
A1	1	3d views	wot_mwt_A1_mast-wind-turbine2.iam			2
A2	1	Exploded 3d view	wot_mwt_A1_mast-wind-turbine2.ipn			3
B1		Parts list				4
C1		Technical notes				5
C3		Technical notes				6
1.0	2	Frame mast	wot_mwt_frame-mast2.iam			7
1.0	2	Frame mast	wot_mwt_frame-mast2.ipn			8
1.1	4	Flat 30	wot_mwt_flat30x6.ipt	Production	flat30x6 , ASTM A36	9
1.2	4	Flat 360	wot_mwt_flat30x6x360.ipt	Buy	flat30x6 , ASTM A36	
1.3	4	Flat 480	wot_mwt_flat30x6x480.ipt	Production	flat30x6 ASTM A36	10
1.4	4	Flat 600	wot_mwt_flat30x6x600.ipt	Production	flat30x6 STM A36	11
1.5	4	Angle 750	wot_mwt_angle30x750.ipt	Production	Angle30x30 ASTM A36	12
1.6	16	Angle 2000	wot_mwt_angle30x2000.ipt	Production	Angle30x30 ASTM A35	13
1.7	4	Angle 1350	wot_mwt_angle30x1350.ipt	Production	Angle30x30 ASTM A36	14
1.8	4	Angle 30	wot_mwt_angle30xscrap.ipt	Production	Angle30x30 ASTM A36	15
2.0	1	Platform	wot_mwt_plataform.iam			16
2.0	1	Plataform	wot_mwt_plataform.ipn			17
2.1	2	Plank	wot_mwt_plank30x200x700.ipt	Production	Plank 30x200 , Wood	18
2.2	2	Angle 660	wot_mwt_angle30x660.ipt	Production	Angle30x30 ASTM A36	19
2.3	8	Bolt M8	oseg_hww_bolt-M8x40.ipt	Standard	Bolt M8x40 DIN 933	
2.4	8	Nut M8	oseg_hww_nut-M8.ipt	Standard	Nut M8 DIN 934	
2.5	8	Washer M8	oseg_hww_Washer-M8.ipt	Standard	Washer M8 DIN 127	
3.0	1	Tower pipe	wot_mwt_tower-pipe.iam			20
3.0	1	Tower pipe	wot_mwt_tower-pipe.ipn			21
3.1	1	Tower pipe	ot_mwt_tower-pipe.ipt	Production	pipe D:105 Sch 40, ASTM A36	22
3.2	4	Flat 460	wot_mwt_Flat30x6x460.ipt	Production	Flat 30X6 Steel C45	23

PROJECT		CREATED BY		APPROVED BY		DATE		VERSION	
Mast for Wind Turbine		D. Mosquera		A. Morillo		22/06/2021		1.0	
PART NAME				FILE NAME				POS	
Parts list								B1	
DEVELOPED BY			REDESIGNED BY			DOC. TYPE	MATERIAL		QUANTITY
WOT			 OPEN SOURCE ECOLOGY GERMANY			Parts list			
			OSEG			LICENCE		SCALE	SHEET
						CC-BY-SA 4.0			4 /23

TECHNICAL NOTES

NOTES	CONTENT
GENERAL NOTES	
Metal structure treatment	Iron structures should be painted to prevent rust and improve equipment life. - Remove loose rust with a wire brush, sandpaper or chemical rust remover. - If applicable, sand areas where paint is chipping until surface is smooth. - Remove dust or oil with a degreaser or denatured alcohol. - Prime surface to protect against rust and corrosion
Foundations fixing	- The ground must be stable and have a low water table. - The structure must be fixed on firm oncrete soil or on poured footings with steel reinforcement. - The anchorage can be bolted with expansive ramplugs or welded.
Wood treatment	- The wood must be treated with pesticides and kiln-dried to ensure adequate humidity. - Wood sealer should be applied for later use.
...	...
...	...


PROJECT	CREATED BY	APPROVED BY	DATE	VERSION
Mast for Wind Turbine	D. Mosquera	A. Morillo	22/06/2021	1.0
PART NAME	FILE NAME			POS
Technical notes				C1
DEVELOPED BY	REDESIGNED BY	DOC. TYPE	MATERIAL	QUANTITY
	 OPEN SOURCE ECOLOGY GERMANY	Technical notes		
WOT		OSEG	LICENCE	SCALE
		CC-BY-SA 4.0		5 /23

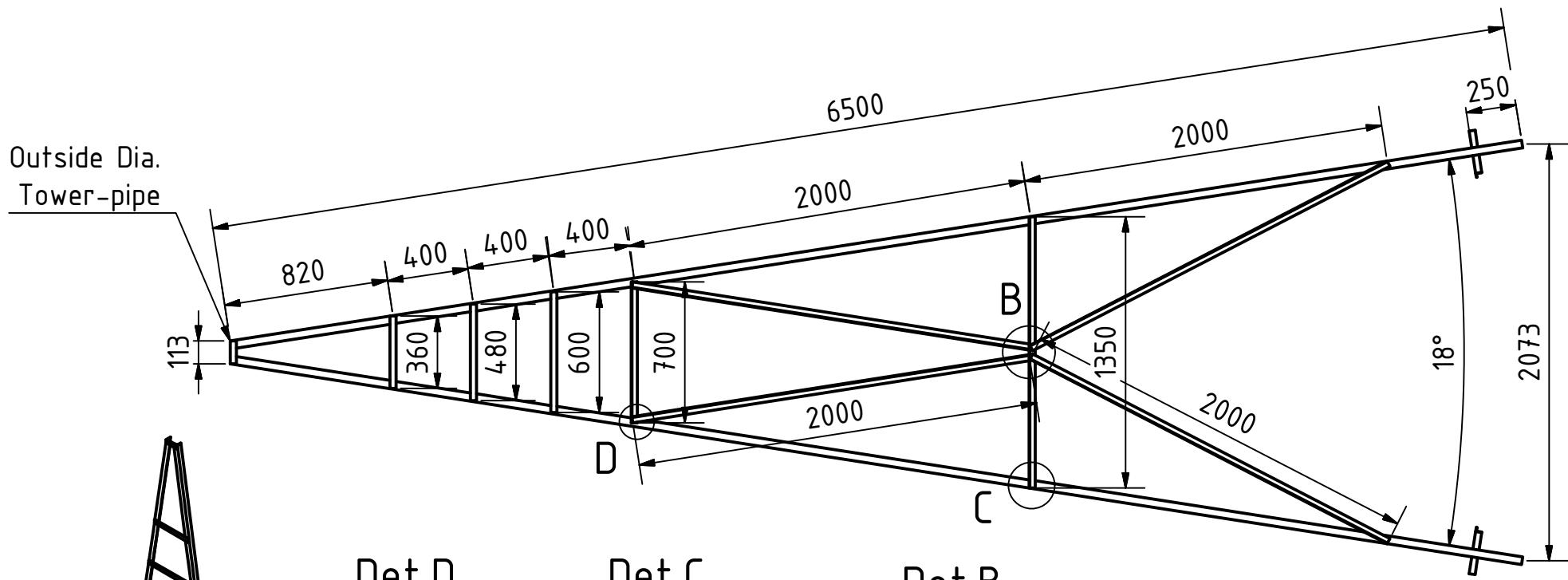
TECHNICAL NOTES

NOTES

CONTENT

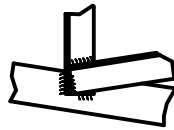
OTHER NOTES

PROJECT	CREATED BY	APPROVED BY	DATE	VERSION
Mast for Wind Turbine	D. Mosquera	A. Morillo	22/06/2021	1.0
PART NAME	FILE NAME			POS
Technical notes				C3
DEVELOPED BY	REDESIGNED BY	DOC. TYPE	MATERIAL	QUANTITY
	 OPEN SOURCE ECOLOGY GERMANY	Technical notes		
WOT		OSEG	LICENCE	SCALE
		CC-BY-SA 4.0		6 /23

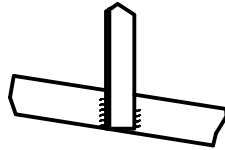


Outside Dia.
Tower-pipe

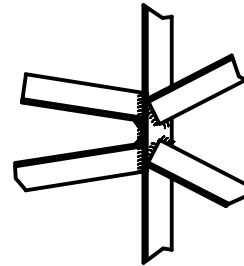
Det.D



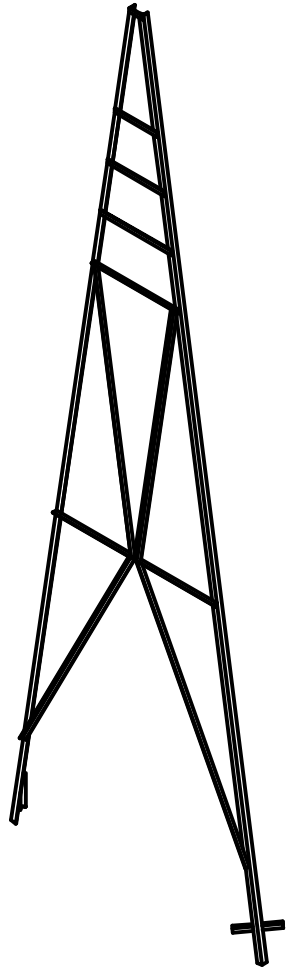
Det.C




Det.B

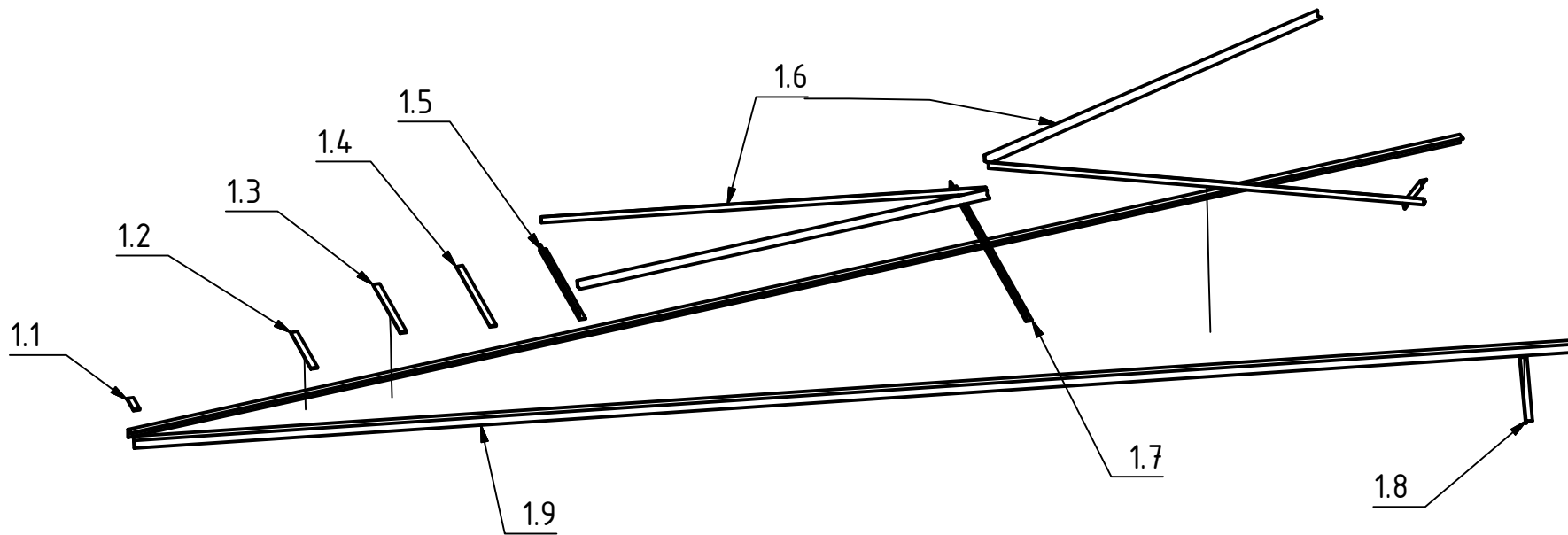


- Firstn two of these towerhalves are prefabricated both halves are composed & the towerpipe section is shifted in and a complete tower results




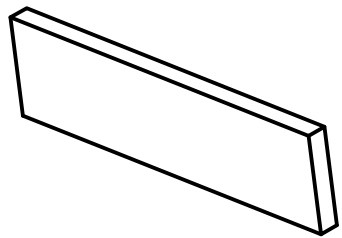
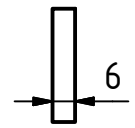
Note: All units in mm.


PROJECT	CREATED BY	APPROVED BY	DATE	VERSION
Mast for Wind Turbine	D. Mosquera	A. Morillo	22/06/2021	1.0
PART NAME	FILE NAME			POS
Frame mast	wot_mwt_frame-mast2.iam			1.0
DEVELOPED BY	REDESIGNED BY	DOC. TYPE	MATERIAL	QUANTITY
		Assembly		2
WOT	OSEG	LICENCE	SCALE	SHEET
		CC-BY-SA 4.0	1:30	7 /23

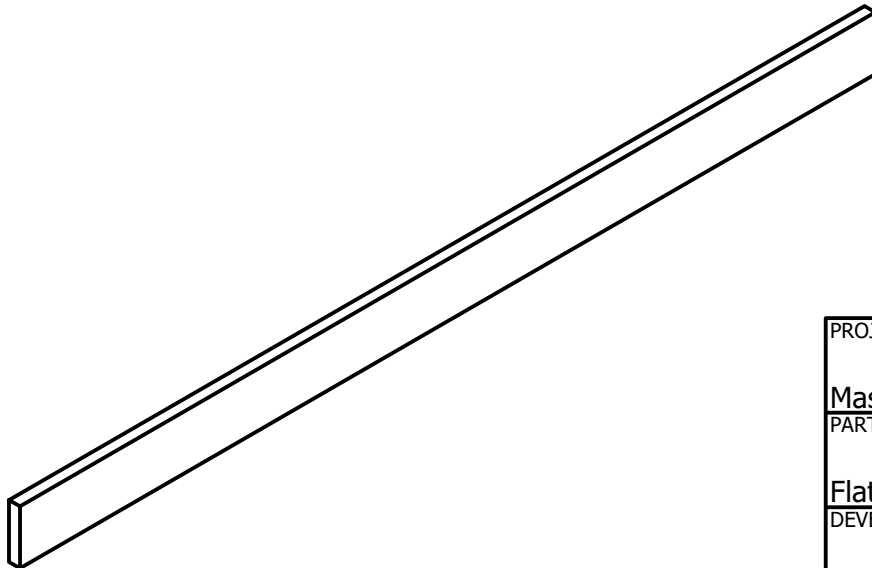
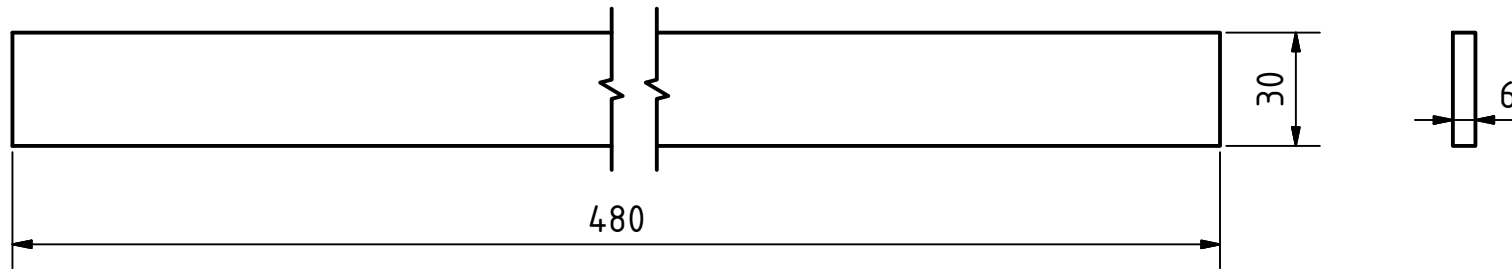



Note: All units in mm.

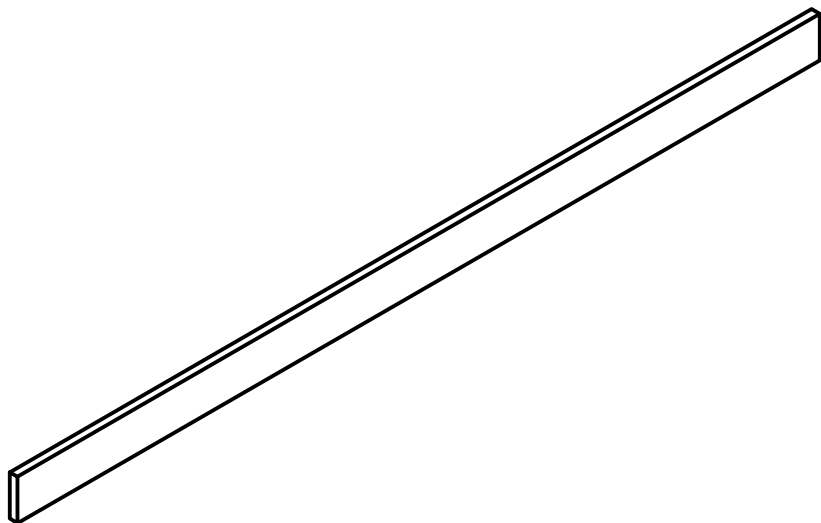
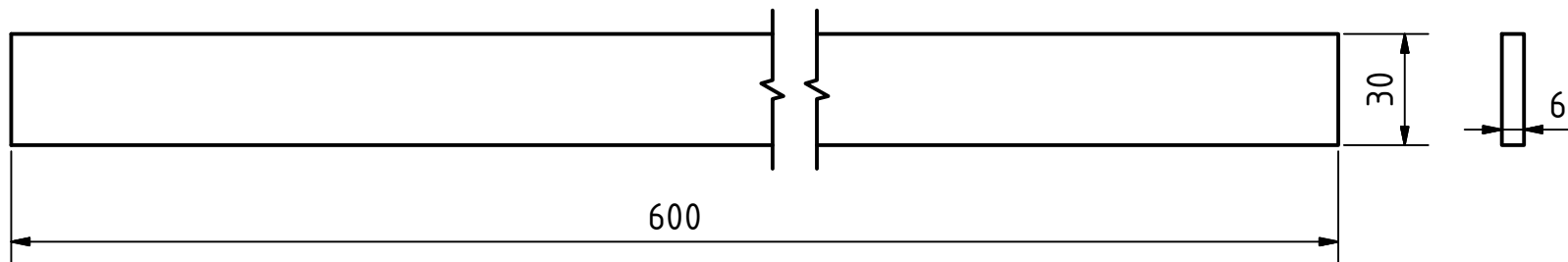
PROJECT	CREATED BY	APPROVED BY	DATE	VERSION
Mast for Wind Turbine	D. Mosquera	A. Morillo	22/06/2021	1.0
PART NAME	FILE NAME	POS		
Frame mast	wot_mwt_frame-mast2.ipn	1.0		
DEVELOPED BY	REDESIGNED BY	DOC. TYPE	MATERIAL	QUANTITY
WOT	 OSEG <small>OPEN SOURCE ECOLOGY GERMANY</small>	Part		2
		LICENCE	SCALE	SHEET
		CC-BY-SA 4.0	1:30	8 /23




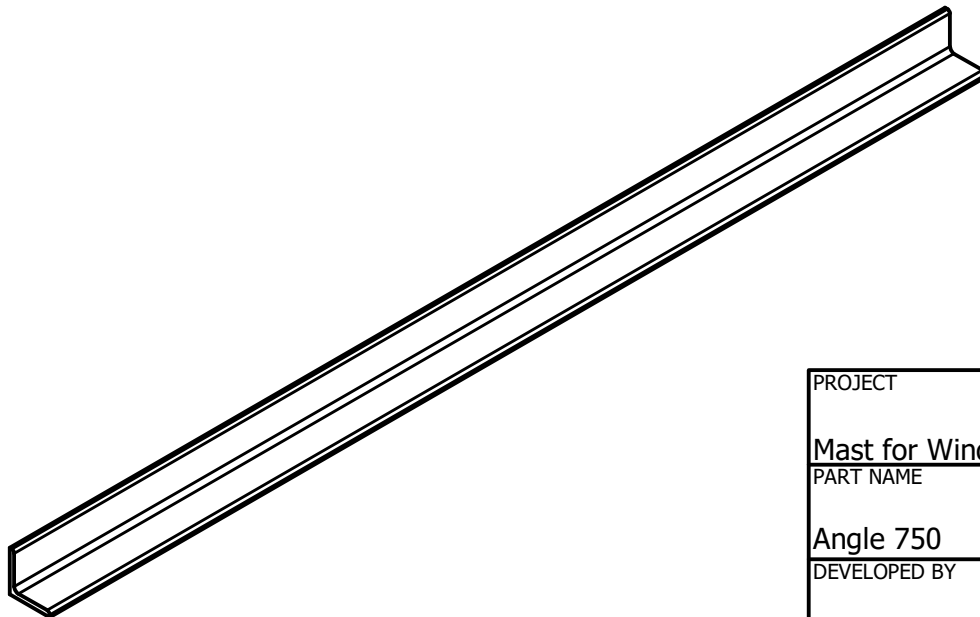
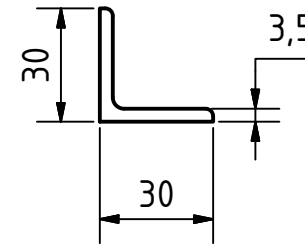
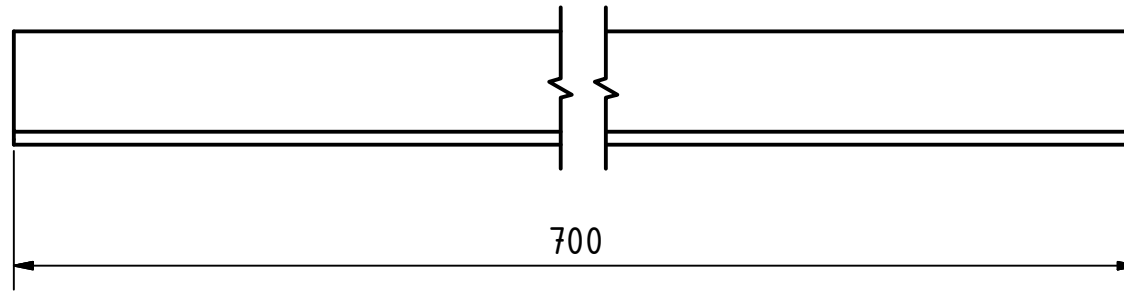
PROJECT	CREATED BY	APPROVED BY	DATE	VERSION
Mast for Wind Turbine	D. Mosquera	A. Morillo	22/06/2021	1.0
PART NAME	FILE NAME			POS
Flat 30	wot_mwt_flat30x6.ipt			1.1
DEVELOPED BY	REDESIGNED BY	DOC. TYPE	MATERIAL	QUANTITY
	 <small>OPEN SOURCE ECOLOGY GERMANY</small>	Part	ASTM A36	4
WOT		OSEG	LICENCE	SCALE
		CC-BY-SA 4.0	2:1	9 /23




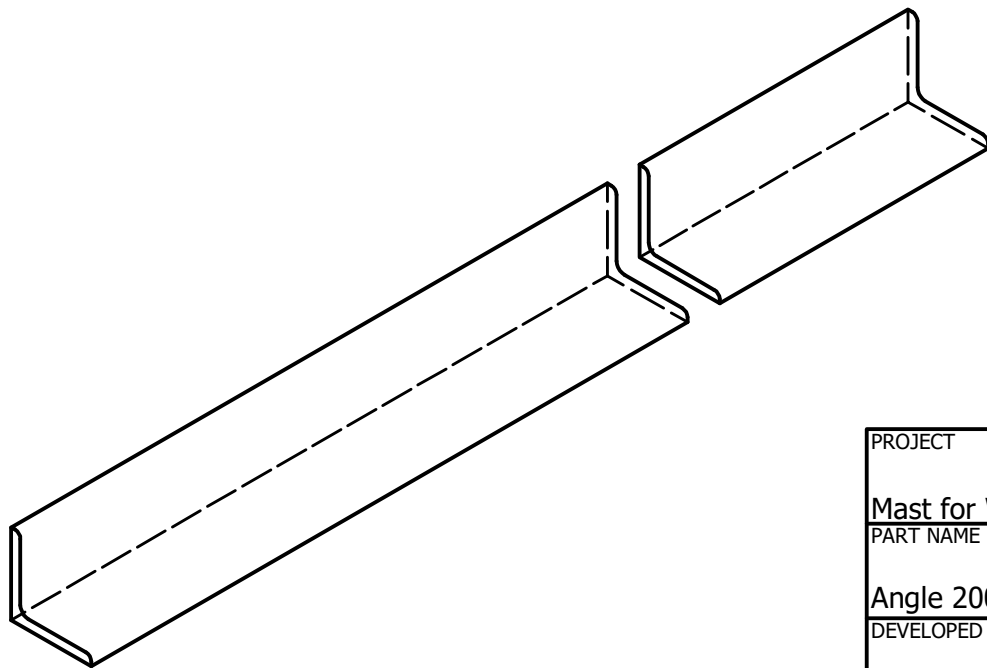
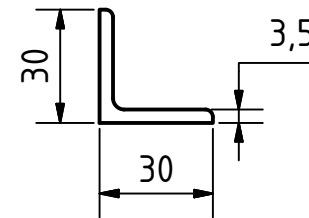
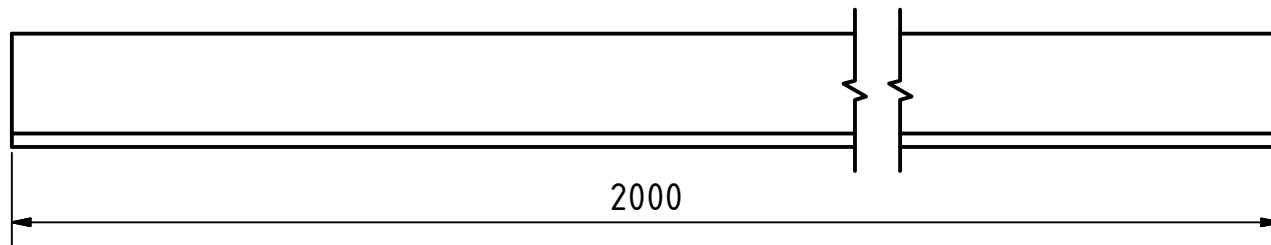
PROJECT	CREATED BY	APPROVED BY	DATE	VERSION
Mast for Wind Turbine	D. Mosquera	A. Morillo	22/06/2021	1.0
PART NAME	FILE NAME			POS
Flat 480	wot_mwt_flat30x6x480.ipt			1.3
DEVELOPED BY	REDESIGNED BY	DOC. TYPE	MATERIAL	QUANTITY
	 <small>OPEN SOURCE ECOLOGY GERMANY</small>	Part	ASTM A36	4
		LICENCE	SCALE	SHEET
WOT	OSEG	CC-BY-SA 4.0	2:1	10 /23




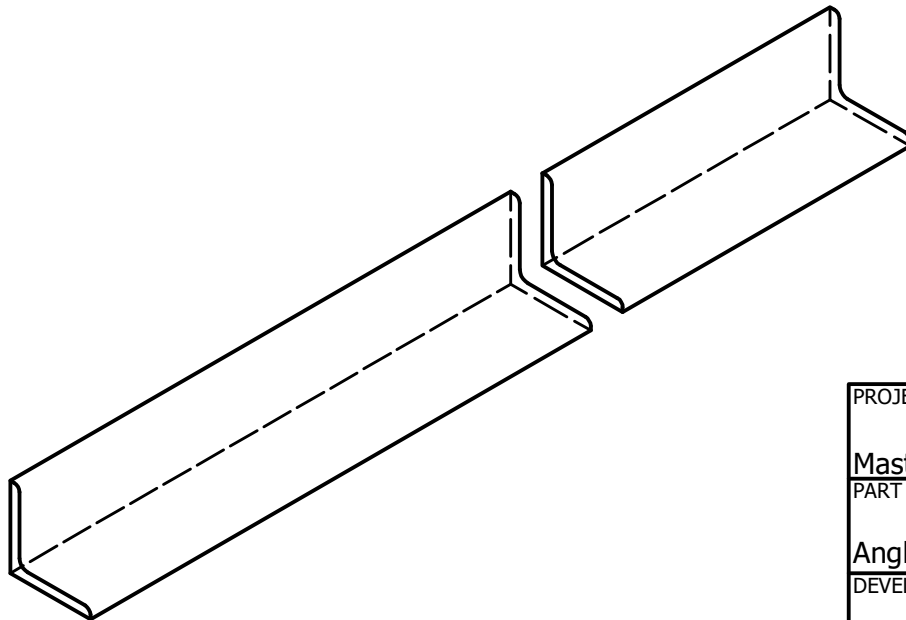
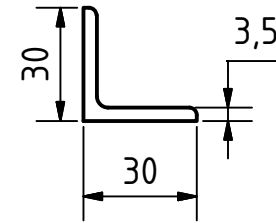
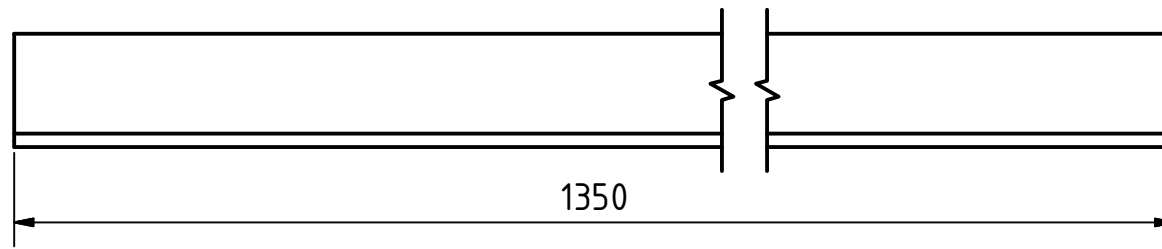
PROJECT	CREATED BY	APPROVED BY	DATE	VERSION
Mast for Wind Turbine	D. Mosquera	A. Morillo	22/06/2021	1.0
PART NAME	FILE NAME			POS
Flat 600	wot_mwt_flat30x6x600.ipt			1.4
DEVELOPED BY	REDESIGNED BY	DOC. TYPE	MATERIAL	QUANTITY
	 <small>OPEN SOURCE ECOLOGY GERMANY</small>	Part	STM A36	4
		LICENCE	SCALE	SHEET
WOT	OSEG	CC-BY-SA 4.0	2:1	11 /23




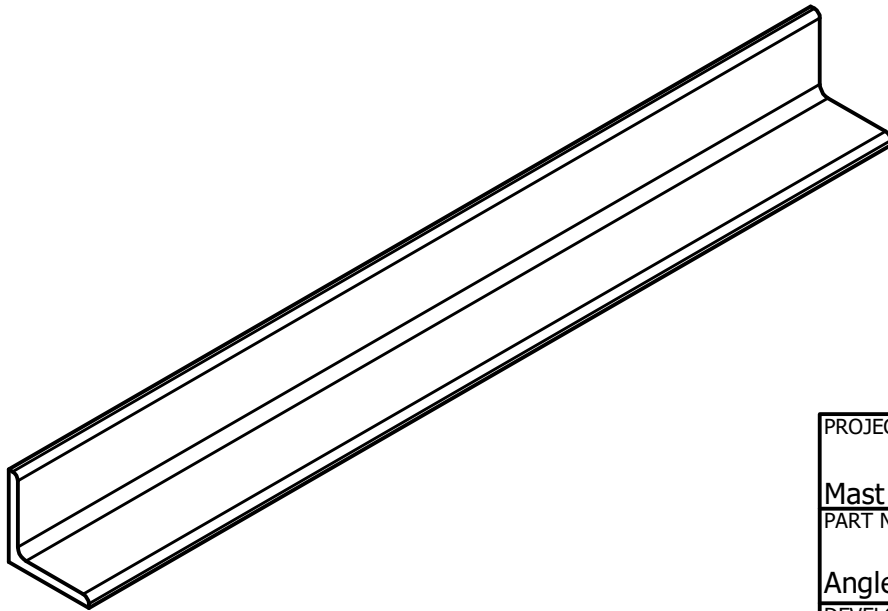
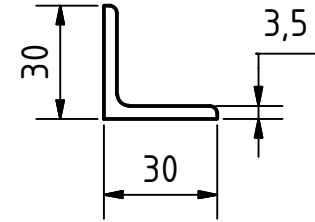
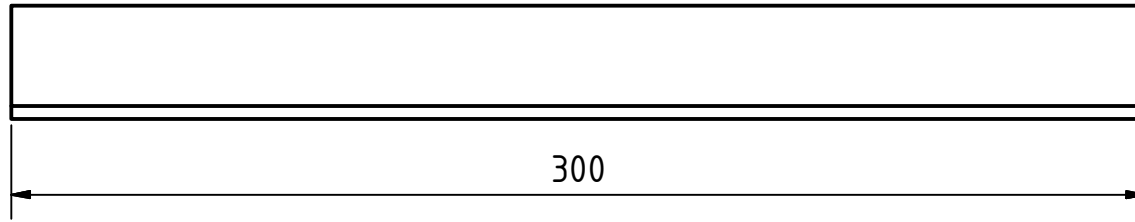
PROJECT	CREATED BY	APPROVED BY	DATE	VERSION
Mast for Wind Turbine	D. Mosquera	A. Morillo	22/06/2021	1.0
PART NAME	FILE NAME			POS
Angle 750	wot_mwt_angle30x750.ipt			1.5
DEVELOPED BY	REDESIGNED BY	DOC. TYPE	MATERIAL	QUANTITY
	 <small>OPEN SOURCE ECOLOGY GERMANY</small>	Part	ASTM A36	4
WOT		OSEG	LICENCE	SCALE
		CC-BY-SA 4.0	1:2	12 /23




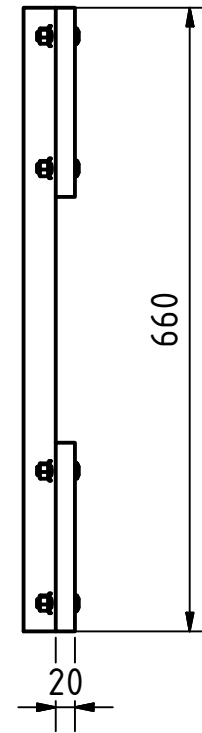
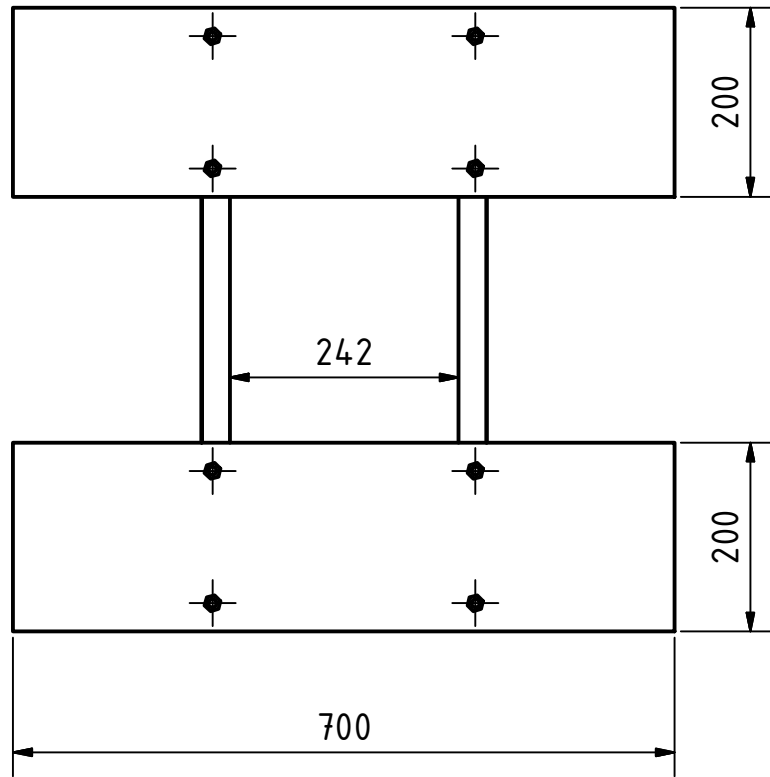
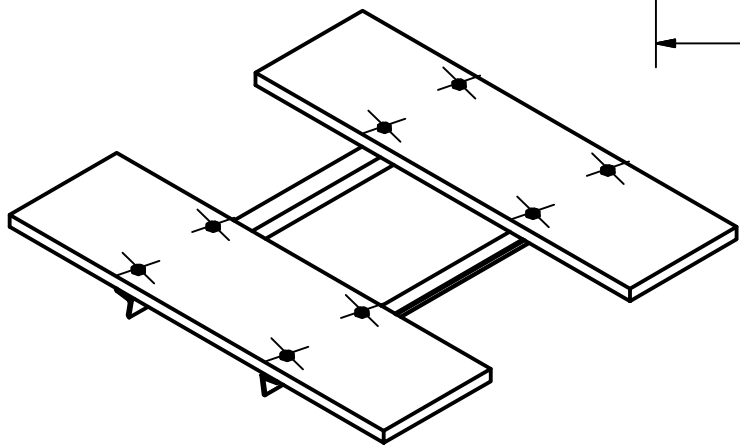
PROJECT	CREATED BY	APPROVED BY	DATE	VERSION
Mast for Wind Turbine	D. Mosquera	A. Morillo	22/06/2021	1.0
PART NAME	FILE NAME			POS
Angle 2000	wot_mwt_angle30x2000.ipt			1.6
DEVELOPED BY	REDESIGNED BY	DOC. TYPE	MATERIAL	QUANTITY
	 <small>OPEN SOURCE ECOLOGY GERMANY</small>	Part	ASTM A35	16
WOT		LICENCE	SCALE	SHEET
	OSEG	CC-BY-SA 4.0	1:2	13 /23




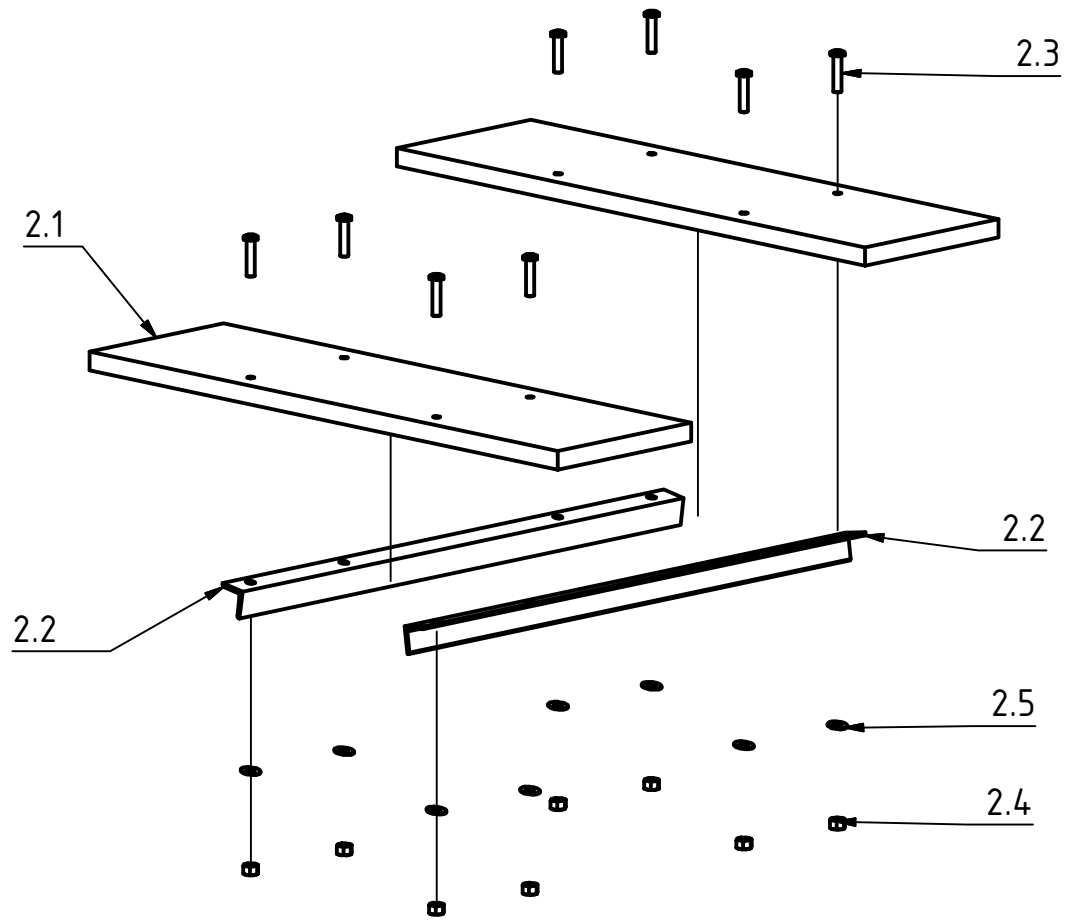
PROJECT	CREATED BY	APPROVED BY	DATE	VERSION
Mast for Wind Turbine	D. Mosquera	A. Morillo	22/06/2021	1.0
PART NAME	FILE NAME			POS
Angle 1350	wot_mwt_angle30x1350.ipt			1.7
DEVELOPED BY	REDESIGNED BY	DOC. TYPE	MATERIAL	QUANTITY
	 OPEN SOURCE ECOLOGY GERMANY	Part	ASTM A36	4
WOT		OSEG	LICENCE	SCALE
		CC-BY-SA 4.0	1:2	14 /23




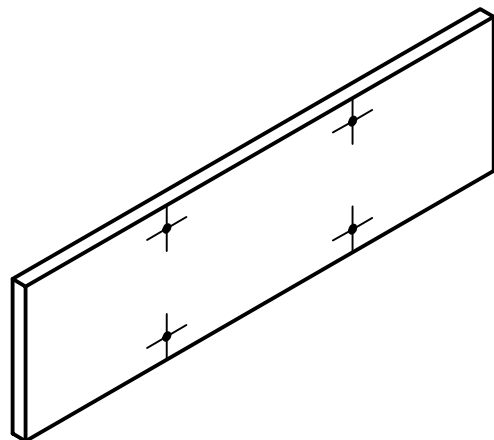
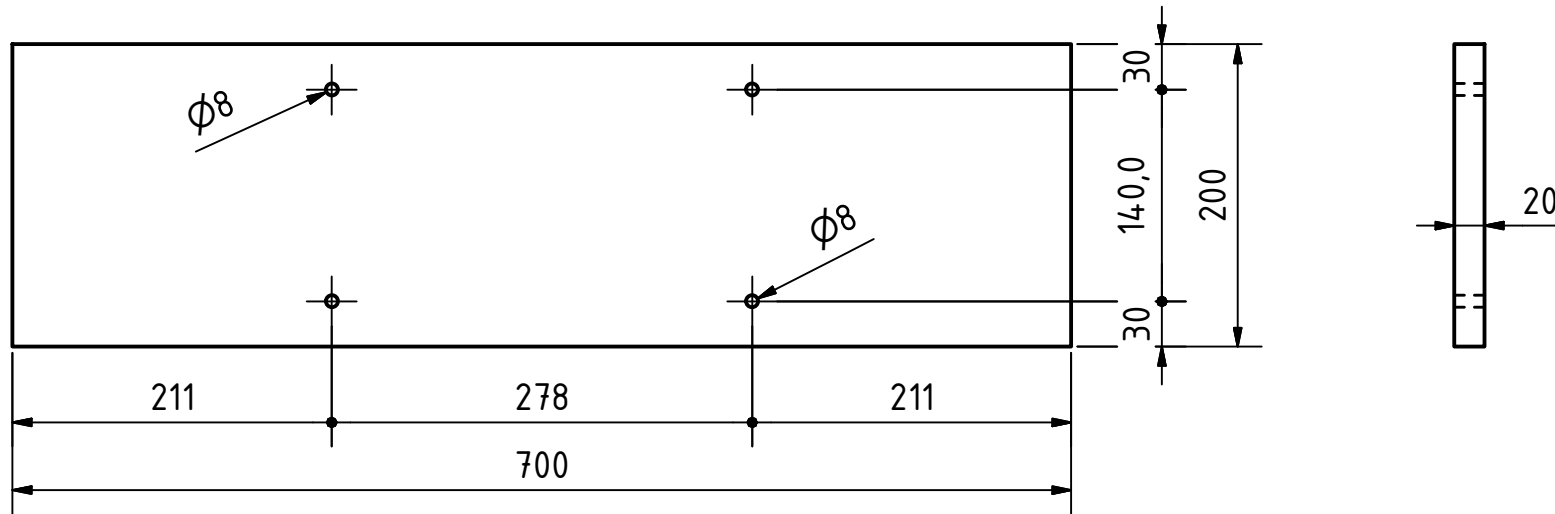
PROJECT	CREATED BY	APPROVED BY	DATE	VERSION
Mast for Wind Turbine	D. Mosquera	A. Morillo	22/06/2021	1.0
PART NAME	FILE NAME			POS
Angle 30	wot_mwt_angle30xscrap.ipt			1.8
DEVELOPED BY	REDESIGNED BY	DOC. TYPE	MATERIAL	QUANTITY
	 <small>OPEN SOURCE ECOLOGY GERMANY</small>	Part	ASTM A36	4
WOT		OSEG	LICENCE	SCALE
		CC-BY-SA 4.0	1:2	15 /23




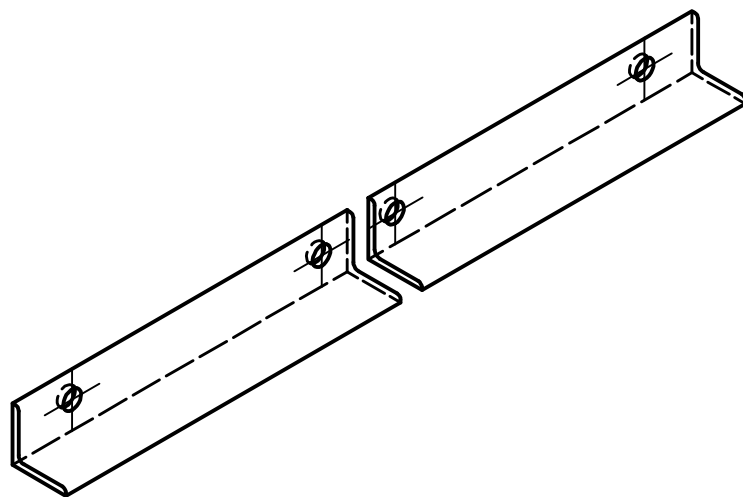
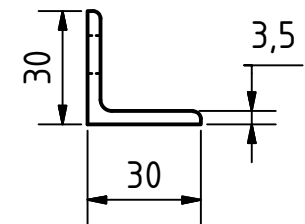
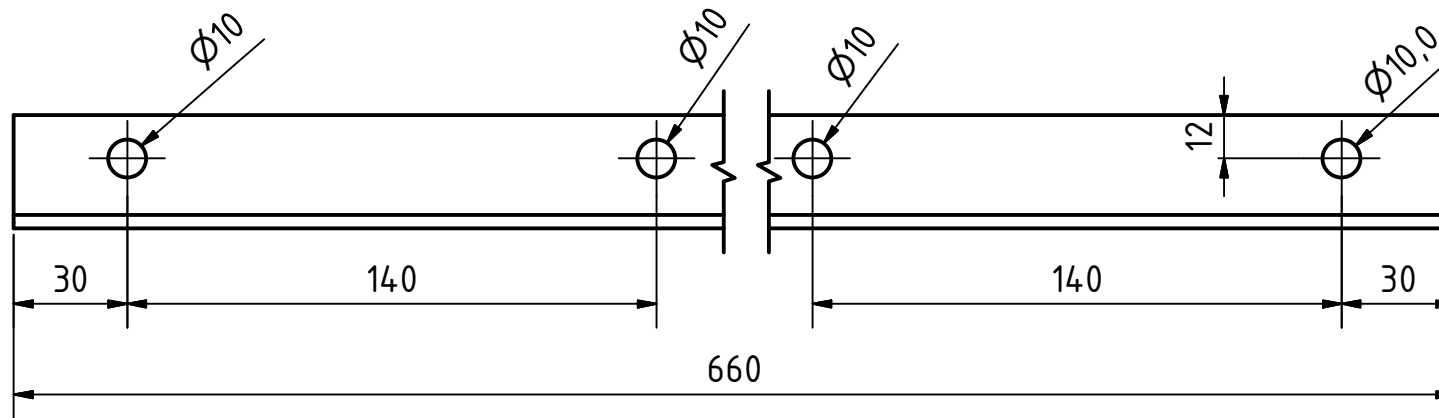
PROJECT	CREATED BY	APPROVED BY	DATE	VERSION
Mast for Wind Turbine	D. Mosquera	A. Morillo	22/06/2021	1.0
PART NAME	FILE NAME			POS
Platform	wot_mwt_plataform.iam			2.0
DEVELOPED BY	REDESIGNED BY	DOC. TYPE	MATERIAL	QUANTITY
WOT	 <small>OPEN SOURCE ECOLOGY GERMANY</small>	Assembly		1
	OSEG	LICENCE	SCALE	SHEET
		CC-BY-SA 4.0	1:8	16 /23




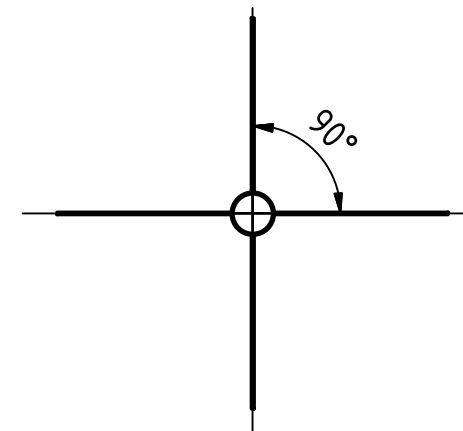
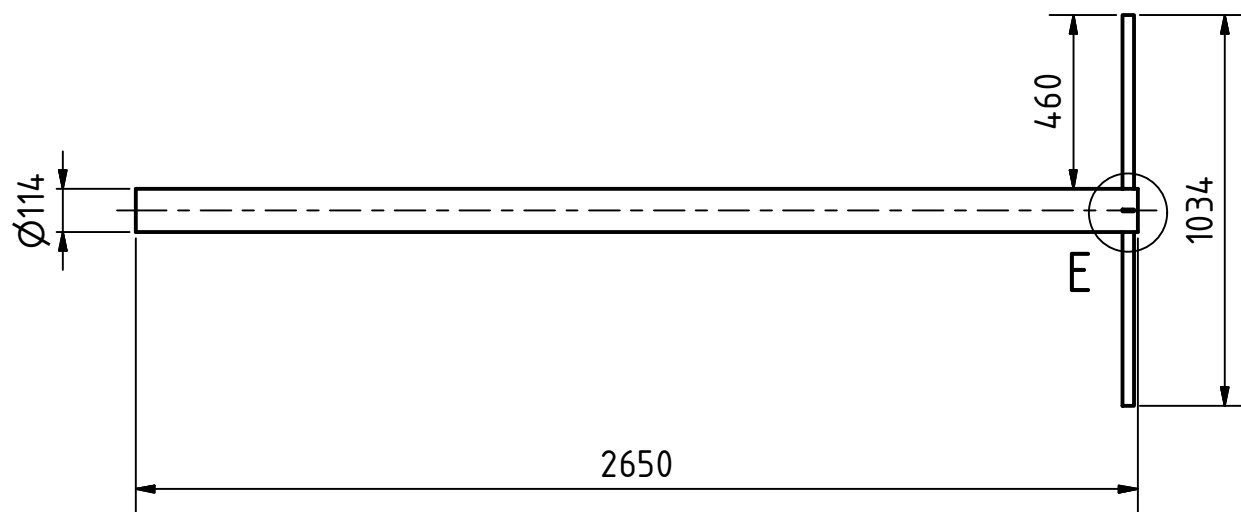
PROJECT	CREATED BY	APPROVED BY	DATE	VERSION
Mast for Wind Turbine	D. Mosquera	A. Morillo	22/06/2021	1.0
PART NAME	FILE NAME	POS		
Plataform	wot_mwt_plataform.ipn	2.0		
DEVELOPED BY	REDESIGNED BY	DOC. TYPE	MATERIAL	QUANTITY
WOT	 <small>OPEN SOURCE ECOLOGY GERMANY</small>	Assembly		1
	OSEG	LICENCE	SCALE	SHEET
		CC-BY-SA 4.0	1:8	17 /23



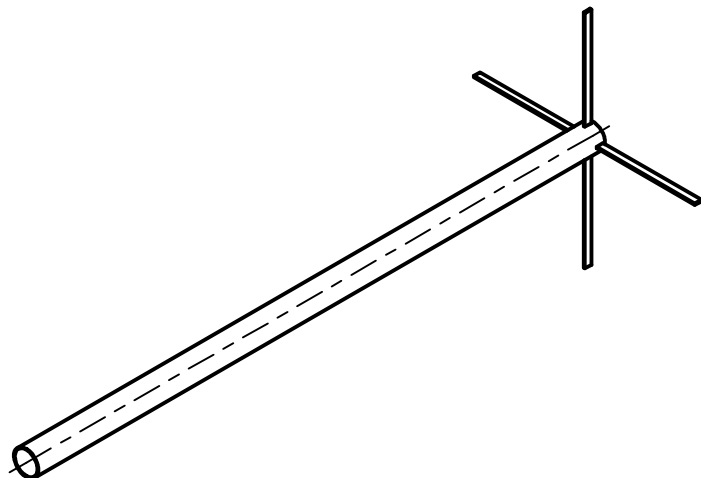
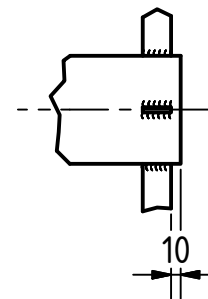
PROJECT	CREATED BY	APPROVED BY	DATE	VERSION
Mast for Wind Turbine	D. Mosquera	A. Morillo	22/06/2021	1.0
PART NAME	FILE NAME			POS
plank30	wot_mwt_plank30x200x700.ipt			2.1
DEVELOPED BY	REDESIGNED BY	DOC. TYPE	MATERIAL	QUANTITY
	 OPEN SOURCE ECOLOGY GERMANY	Part	Wood	2
WOT	OSEG	LICENCE	SCALE	SHEET
		CC-BY-SA 4.0	1:5	18 /23




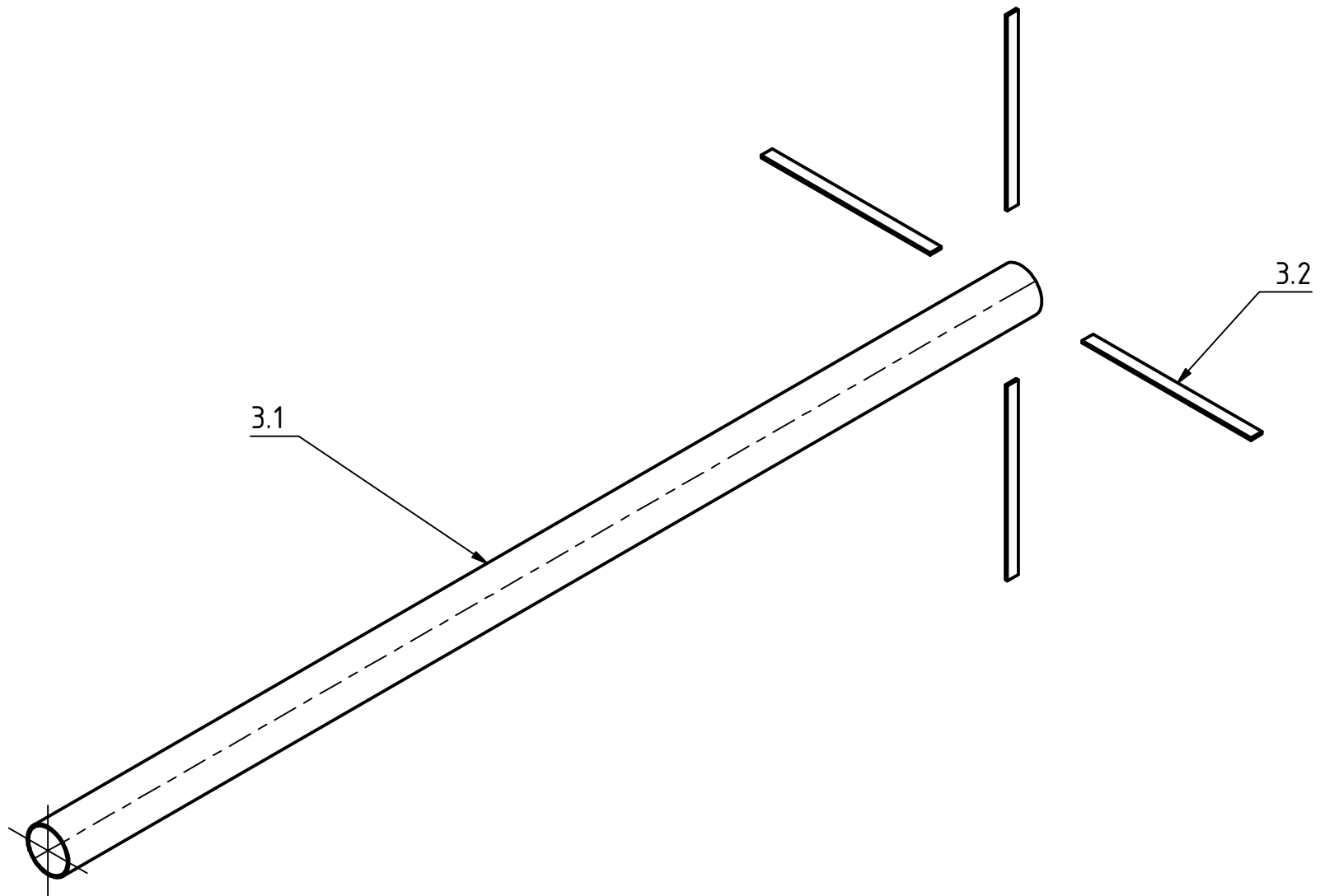
PROJECT	CREATED BY	APPROVED BY	DATE	VERSION
Mast for Wind Turbine	D. Mosquera	A. Morillo	22/06/2021	1.0
PART NAME	FILE NAME			POS
Angle 660	wot_mwt_angle30x660.ipt			2.2
DEVELOPED BY	REDESIGNED BY	DOC. TYPE	MATERIAL	QUANTITY
	 OPEN SOURCE ECOLOGY GERMANY	Part	ASTM A36	2
		LICENCE	SCALE	SHEET
WOT	OSEG	CC-BY-SA 4.0	1:2	19 /23




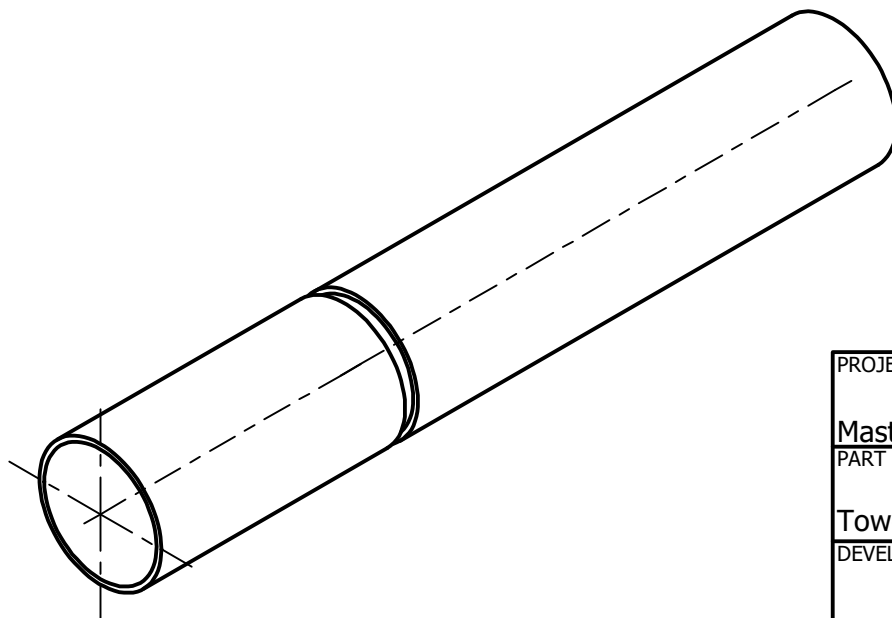
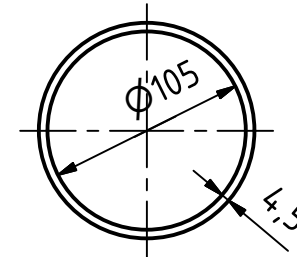
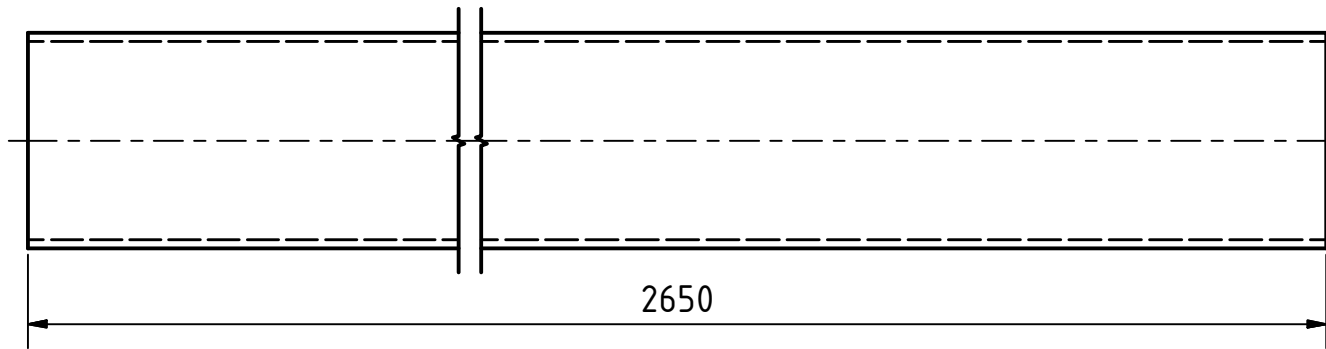
Det.E




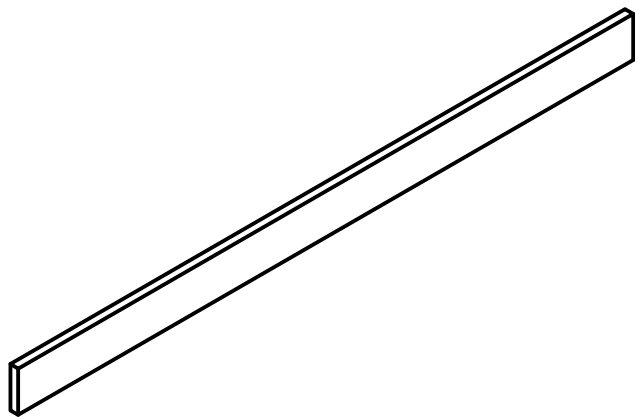
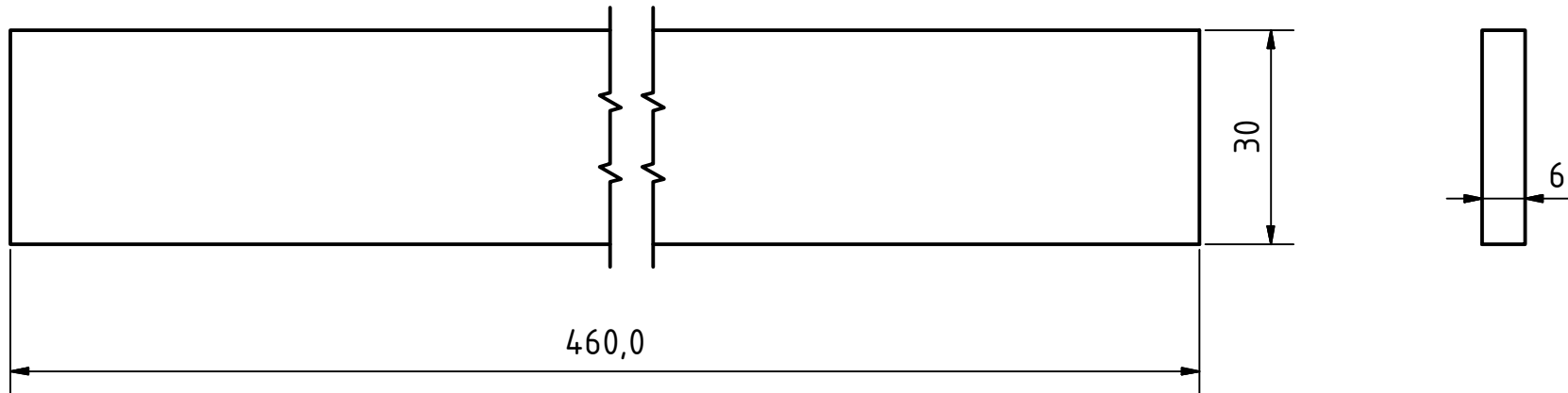
PROJECT	CREATED BY	APPROVED BY	DATE	VERSION
Mast for Wind Turbine	D. Mosquera	A. Morillo	22/06/2021	1.0
PART NAME	FILE NAME	POS		
Tower pipe	wot_mwt_tower-pipe.iam	3.0		
DEVELOPED BY	REDESIGNED BY	DOC. TYPE	MATERIAL	QUANTITY
WOT	 <small>OPEN SOURCE ECOLOGY GERMANY</small>	Assembly		1
		LICENCE	SCALE	SHEET
		CC-BY-SA 4.0	1:20	20 /23




PROJECT	CREATED BY	APPROVED BY	DATE	VERSION
Mast for Wind Turbine	D. Mosquera	A. Morillo	22/06/2021	1.0
PART NAME	FILE NAME			POS
Tower pipe	wot_mwt_tower-pipe.ipn			3.0
DEVELOPED BY	REDESIGNED BY	DOC. TYPE	MATERIAL	QUANTITY
	 <small>OPEN SOURCE ECOLOGY GERMANY</small>	Assembly		1
WOT		OSEG	LICENCE	SCALE
		CC-BY-SA 4.0	1:12	21 /23



PROJECT	CREATED BY	APPROVED BY	DATE	VERSION
Mast for Wind Turbine	D. Mosquera	A. Morillo	22/06/2021	1.0
PART NAME	FILE NAME			POS
Tower pipe	ot_mwt_tower-pipe.ipt			3.1
DEVELOPED BY	REDESIGNED BY	DOC. TYPE	MATERIAL	QUANTITY
	 <small>OPEN SOURCE ECOLOGY GERMANY</small>	Part	ASTM A36	1
WOT		LICENCE	SCALE	SHEET
	OSEG	CC-BY-SA 4.0	1:4	22 /23



PROJECT	CREATED BY	APPROVED BY	DATE	VERSION
Mast for Wind Turbine	D. Mosquera	A. Morillo	22/06/2021	1.0
PART NAME	FILE NAME			POS
Flat 460	wot_mwt_Flat30x6x460.ipt			3.2
DEVELOPED BY	REDESIGNED BY	DOC. TYPE	MATERIAL	QUANTITY
	 <small>OPEN SOURCE ECOLOGY GERMANY</small>	Part	Steel C45	4
		LICENCE	SCALE	SHEET
WOT	OSEG	CC-BY-SA 4.0	1:1	23 /23