

2

1

D

D

C

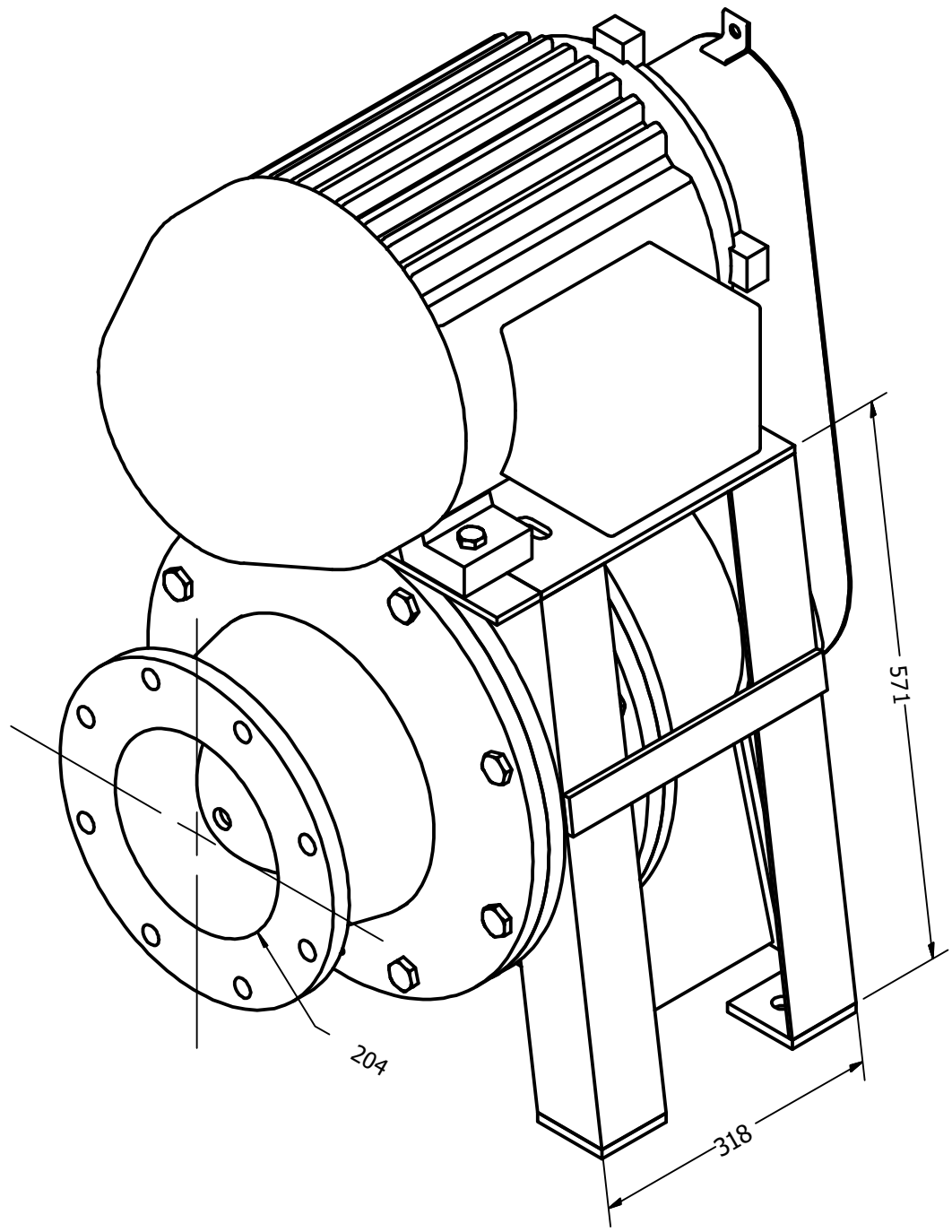
C

B

B

A


A



204

571

318

Proyect Small water turbine		Created by D. Mosquera	Approved by D. Jeager		
Part Name small-water-turbine		Part Code A1	Document Type ASSEMBLY	Material	
Redesigned by 	Original drawing from Practical ACTION	License CERN-OHL	File Name oseq_swt_A1_small-water-turbiner	Version 1.0	Quantity 1
			Scale 1:8	Sheet 1	Date 18.01.21

2

1



2

1

D

D

C

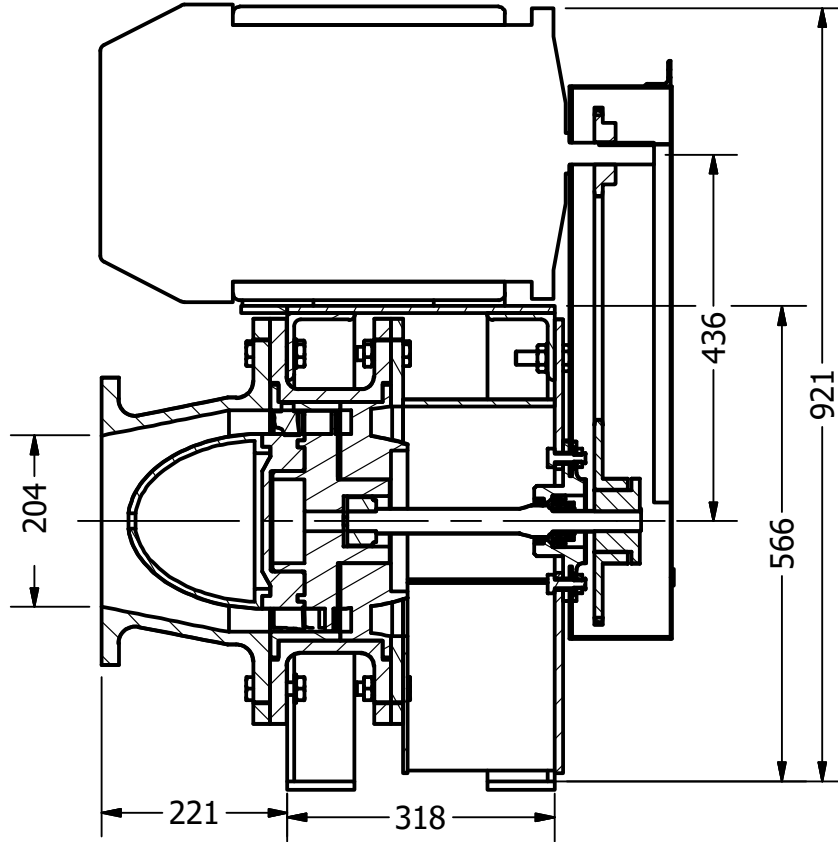
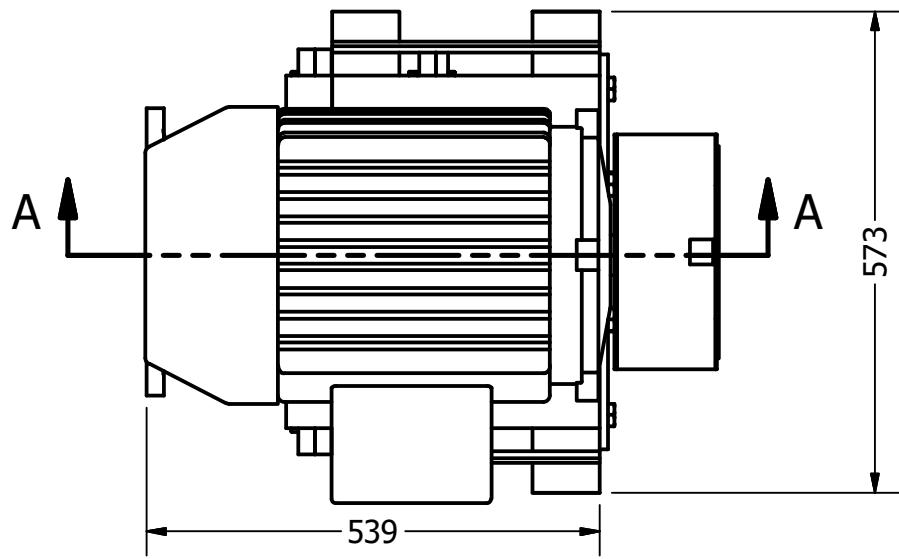
C

B


B

A

A



SECTION A-A

Project Small water turbine		Created by D. Mosquera		Approved by D. Jeager	
Part Name small-water-turbine		Part Code A1		Document Type ASSEMBLY	
Redesigned by  OPEN SOURCE ECOLOGY GERMANY		Original drawing from Practical ACTION		License CERN-OHL	
				File Name oseg_swt_A1_small-water-turbiner	
				Version 1.0	
				Quantity 1	
				Scale 1:8	
				Sheet 2	
				Date 18.01.21	

2

1

