
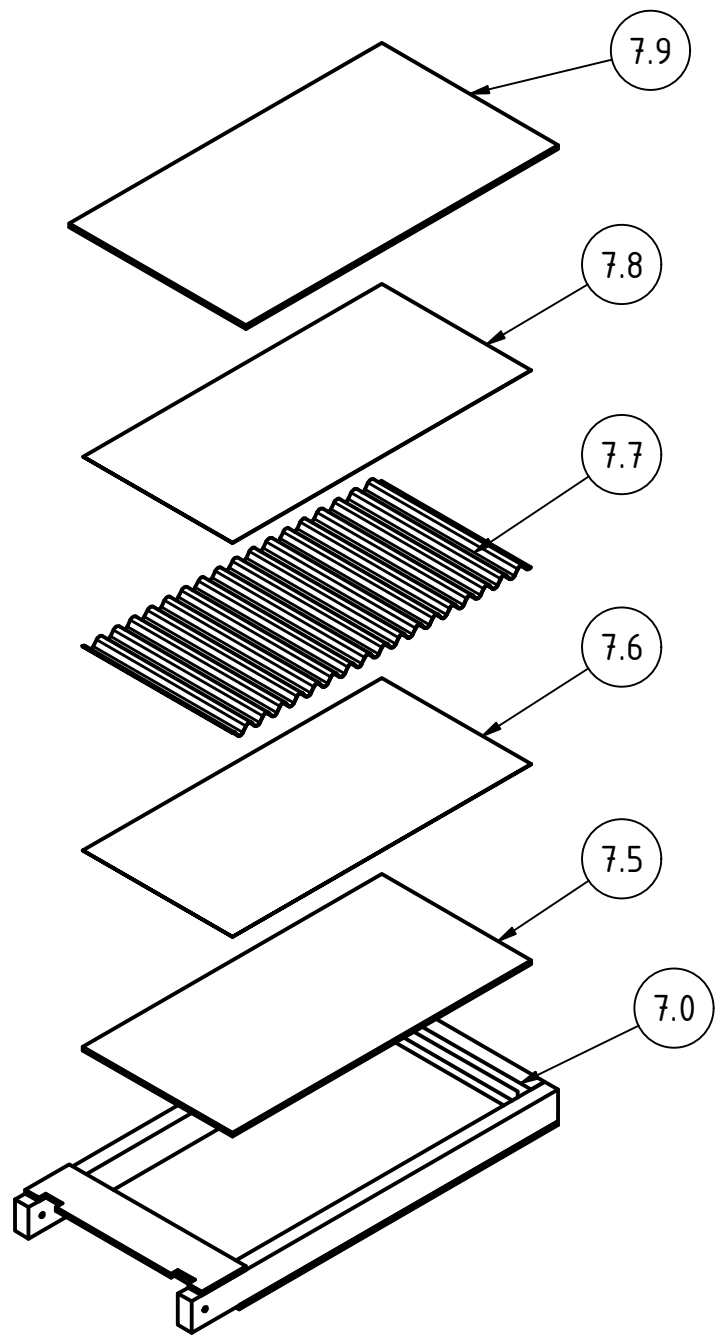
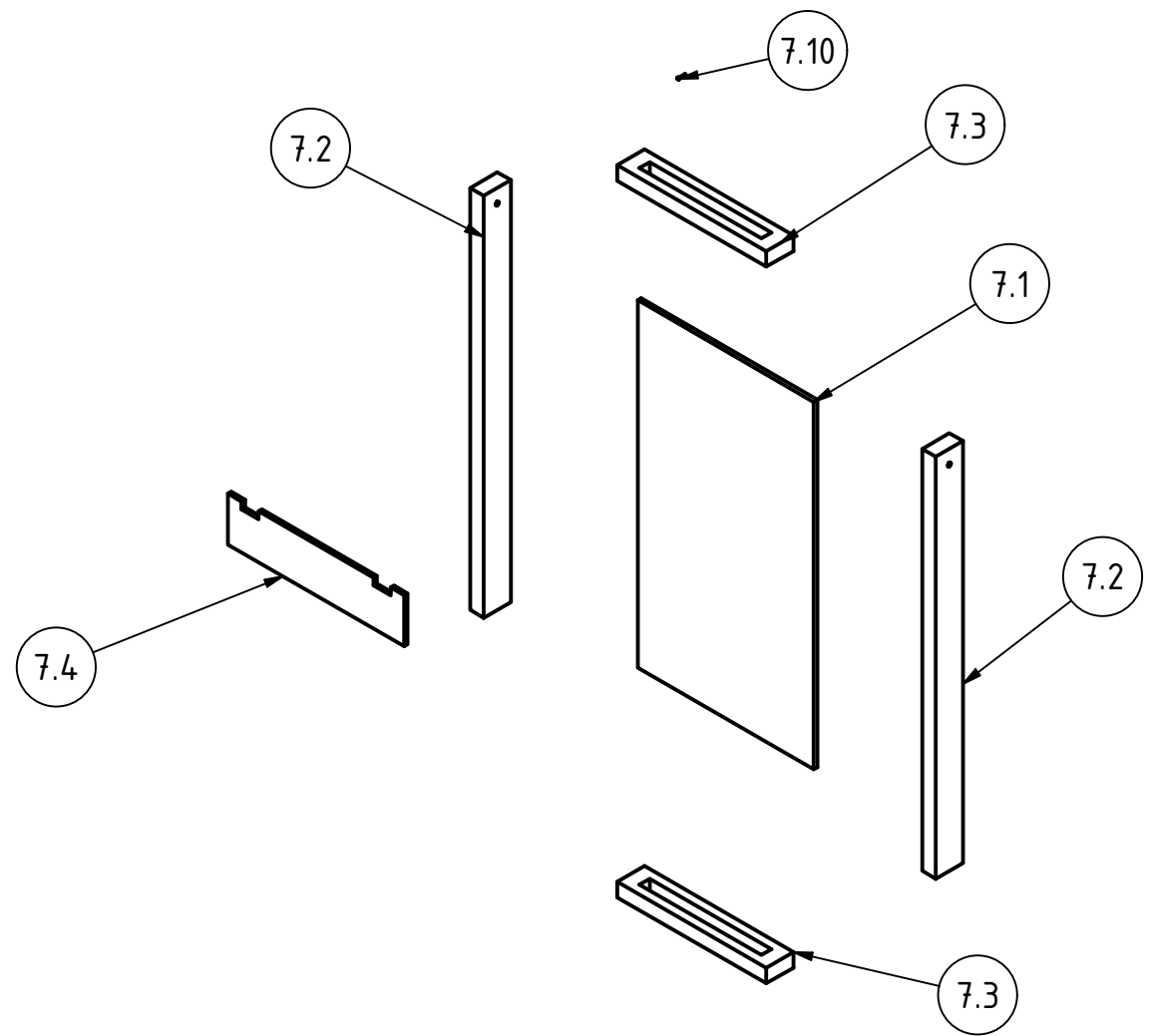


Note: all units in mm

PROJECT	CREATED BY	APPROVED BY	DATE	VERSION
Solar Food Dryer	E. Ceballos	A. Morillo	01/09/2021	1.0
PART NAME	FILE NAME	POS		
Collector frame	collector frame.ipt	7.0		
DEVELOPED BY	REDESIGNED BY	DOC. TYPE	MATERIAL	QUANTITY
Arnold and Maria Valdez	 OSEG	ASSEMBLY		1
		LICENCE	SCALE	SHEET
		CC-BY-SA 4.0	1:15	15 /27



E (1 : 20)



Note: all units in mm

PROJECT	CREATED BY	APPROVED BY	DATE	VERSION
Solar Food Dryer	E. Ceballos	A. Morillo	01/09/2021	1.0
PART NAME	FILE NAME	POS		
Collector frame	collector frame.iam	7.0		
DEVELOPED BY	REDESIGNED BY	DOC. TYPE	MATERIAL	QUANTITY
Arnold and Maria Valdez	OSEG	ASSEMBLY		1
		LICENCE	SCALE	SHEET
		CC-BY-SA 4.0	1:20	16 /27



OPEN SOURCE ECOLOGY
GERMANY