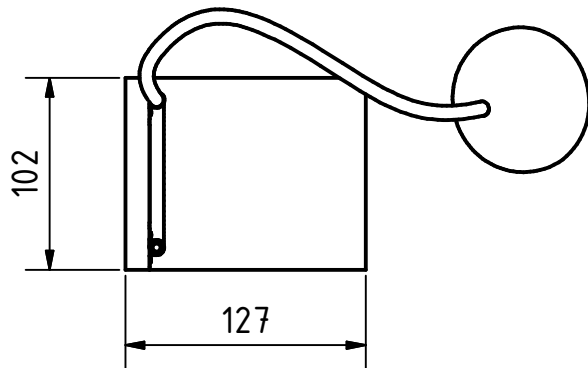
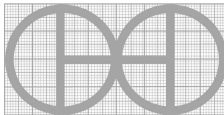


ELEVATION (1 : 4)

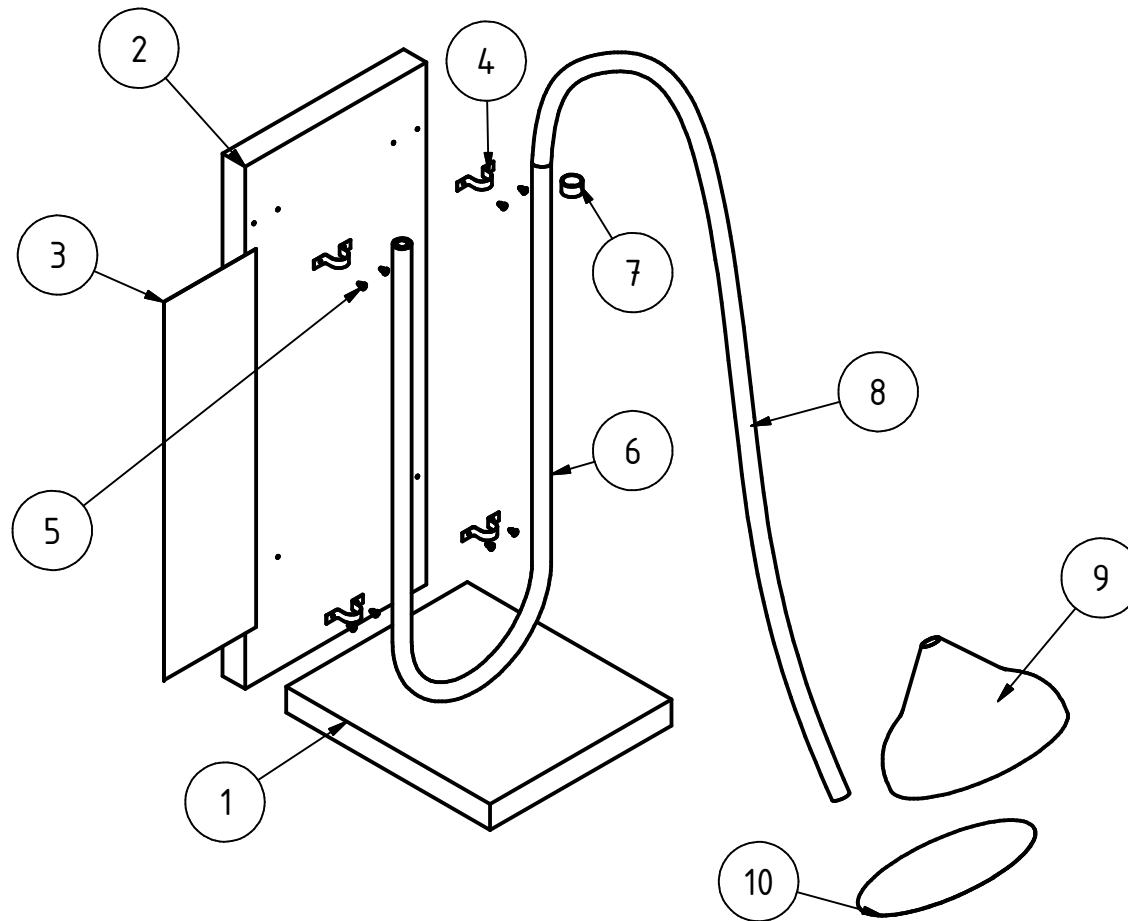


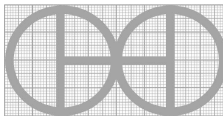
PLAN (1 : 4)

Note: all units are in mm

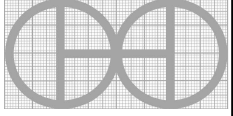
PROJECT		CREATED BY		APPROVED BY		DATE		VERSION			
TUBE MANOMETER		J. ZERON		D. JAEGER		30-05-2021		1.0			
PART NAME		FILE NAME								PART CODE	
3D Views		tube-manometer.iam								A1	
DEVELOPED BY		REDESIGNED BY		SUPPORTED BY		DOC. TYPE		MATERIAL		QUANTITY	
						ASSEMBLY				1	
						LICENCE		SCALE		SHEET	
AMERICAN PEACE CORPS		OHO e.V.				CC-BY-SA 4.0		1:4		1 / 6	

EXPLOSION (1 : 3)

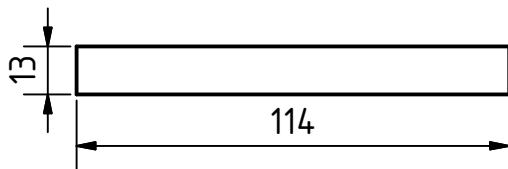
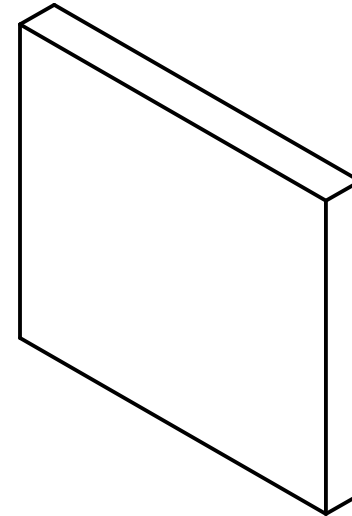
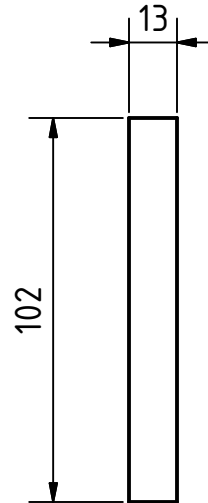
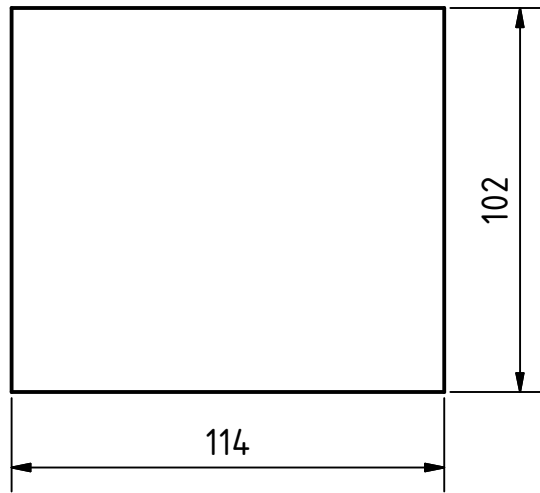


PROJECT		CREATED BY		APPROVED BY		DATE		VERSION	
TUBE MANOMETER		J. ZERON		D. JAEGER		30-05-2021		1.0	
PART NAME				FILE NAME				PART CODE	
Exploded 3D View				tube-manometer.ipn				A2	
DEVELOPED BY		REDESIGNED BY		SUPPORTED BY		DOC. TYPE		MATERIAL	
						ASSEMBLY		1	
AMERICAN PEACE CORPS		OHO e.V.				LICENCE		SCALE	
						CC-BY-SA 4.0		1:3	
								SHEET	
								2 / 6	

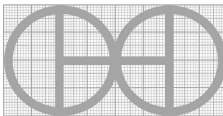
PART LIST							
POS	POS.OLD	QTY	PART NAME	FILE NAME	PART TYPE	SPECIFICATIONS	SHEET
A1	-	-	3D Views	tube-manometer.iam	-	-	1
A2	-	-	Exploded 3D View	tube-manometer.ipn	-	-	2
B1	-	-	Part List	apc_tm_tube-manometer.csv	-	-	3
1	-	1	Base	Base.ipt	Production	Plywood 1/2"	4
2	-	1	Vertical Support	Vertical Support.ipt	Production	Plywood 1/2"	5
3	-	1	Panel	Panel.ipt	Buy	Graph Paper	6
4	-	4	Zuncho Clip	Zuncho Clip.ipt	Buy	Metal Length 1 1/2"	-
5	-	8	ANSI B18.6.4 - 0.48 - 0,125	-	Standard	Slotted Courtersunk Flat Head Self Tapping Screw - Type BT	-
6	-	1	Polyethylene Hose	Polyethylene Hose.ipt	Buy	Diemeter 1" - Length 20"	-
7	-	1	Hose Connector	Hose Connector.ipt	Buy	Diameter 1"	-
8	-	1	Rubber Hose	Rubber Hose.ipt	Buy	Diameter 1" - Length 24"	-
9	-	1	Funnel	Funnel.ipt	Buy	Diameter 3"	-
10	-	1	Rubber Ballon	Rubber Ballon.ipt	Buy	-	-

PROJECT		CREATED BY	APPROVED BY	DATE	VERSION
TUBE MANOMETER		J. ZERON	D. JAEGER	30-05-2021	1.0
PART NAME		FILE NAME			PART CODE
PART LIST		uga_tb_tube-manometer.csv			B1
DEVELOPED BY	REDESIGNED BY	SUPPORTED BY	DOC. TYPE	MATERIAL	QUANTITY
			PART LIST		
AMERICAN PEACE CORPS		OHO e.V.	LICENCE	SCALE	SHEET
			CC-BY-SA 4.0		3 / 6

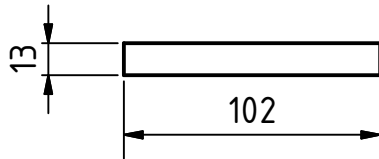
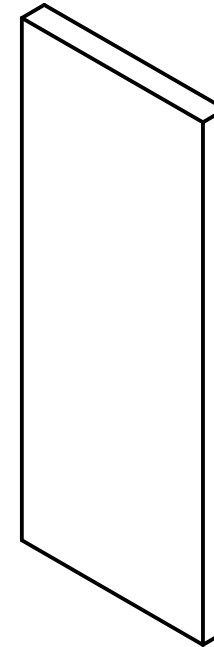
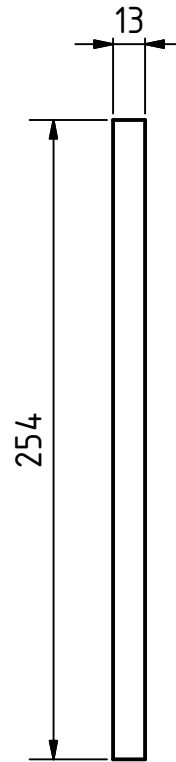
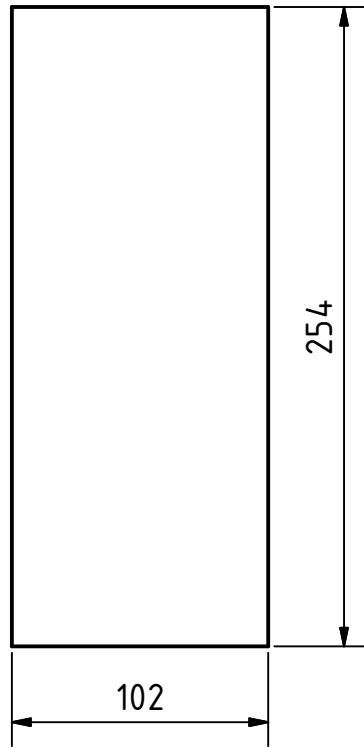
PLAN (1 : 2)



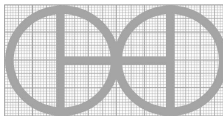
Note: All units are in mm

PROJECT		CREATED BY	APPROVED BY	DATE	VERSION
TUBE MANOMETER		J. ZERON	D. JAEGER	30-05-2021	1.0
PART NAME		FILE NAME			PART CODE
Base		Base.ipt			1
DEVELOPED BY	REDESIGNED BY	SUPPORTED BY	DOC. TYPE	MATERIAL	QUANTITY
			PART	Plywood	1
AMERICAN PEACE CORPS		OHO e.V.	LICENCE	SCALE	SHEET
			CC-BY-SA 4.0	1:2	4 / 6

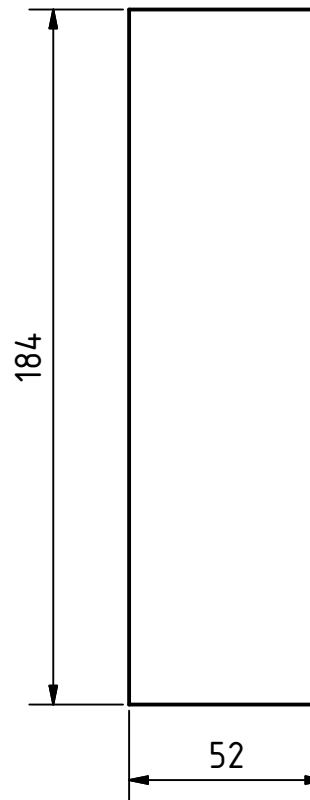
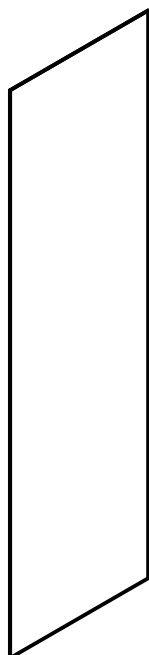
PLAN (1 : 3)



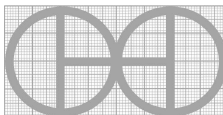
Note: All units are in mm

PROJECT		CREATED BY		APPROVED BY		DATE		VERSION	
TUBE MANOMETER		J. ZERON		D. JAEGER		30-05-2021		1.0	
PART NAME		FILE NAME						PART CODE	
Vertical support		Vertical support.ipt						2	
DEVELOPED BY		REDESIGNED BY		SUPPORTED BY		DOC. TYPE		MATERIAL	
						PART		Plywood	
AMERICAN PEACE CORPS		OHO e.V.				LICENCE		SCALE	
						CC-BY-SA 4.0		1:3	
								QUANTITY	
								1	
								SHEET	
								5 / 6	

PLAN (1 : 2)



Note: all units are in mm

PROJECT		CREATED BY	APPROVED BY	DATE	VERSION
TUBE MANOMETER		J. ZERON	D. JAEGER	30-05-2021	1.0
PART NAME		FILE NAME			PART CODE
Panel		Panel.ipt			3
DEVELOPED BY	REDESIGNED BY	SUPPORTED BY	DOC. TYPE	MATERIAL	QUANTITY
			PART	Graph Paper	1
AMERICAN PEACE CORPS		OHO e.V.	LICENCE	SCALE	SHEET
			CC-BY-SA 4.0	1:2	6 / 6