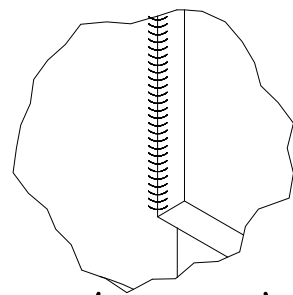
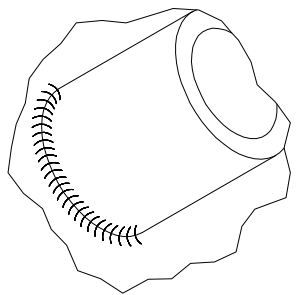


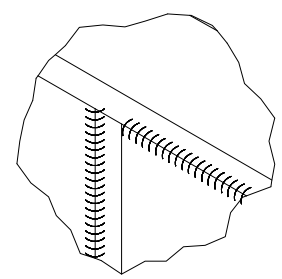
R (1 : 2)



T (1 : 2)

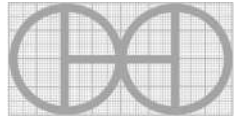


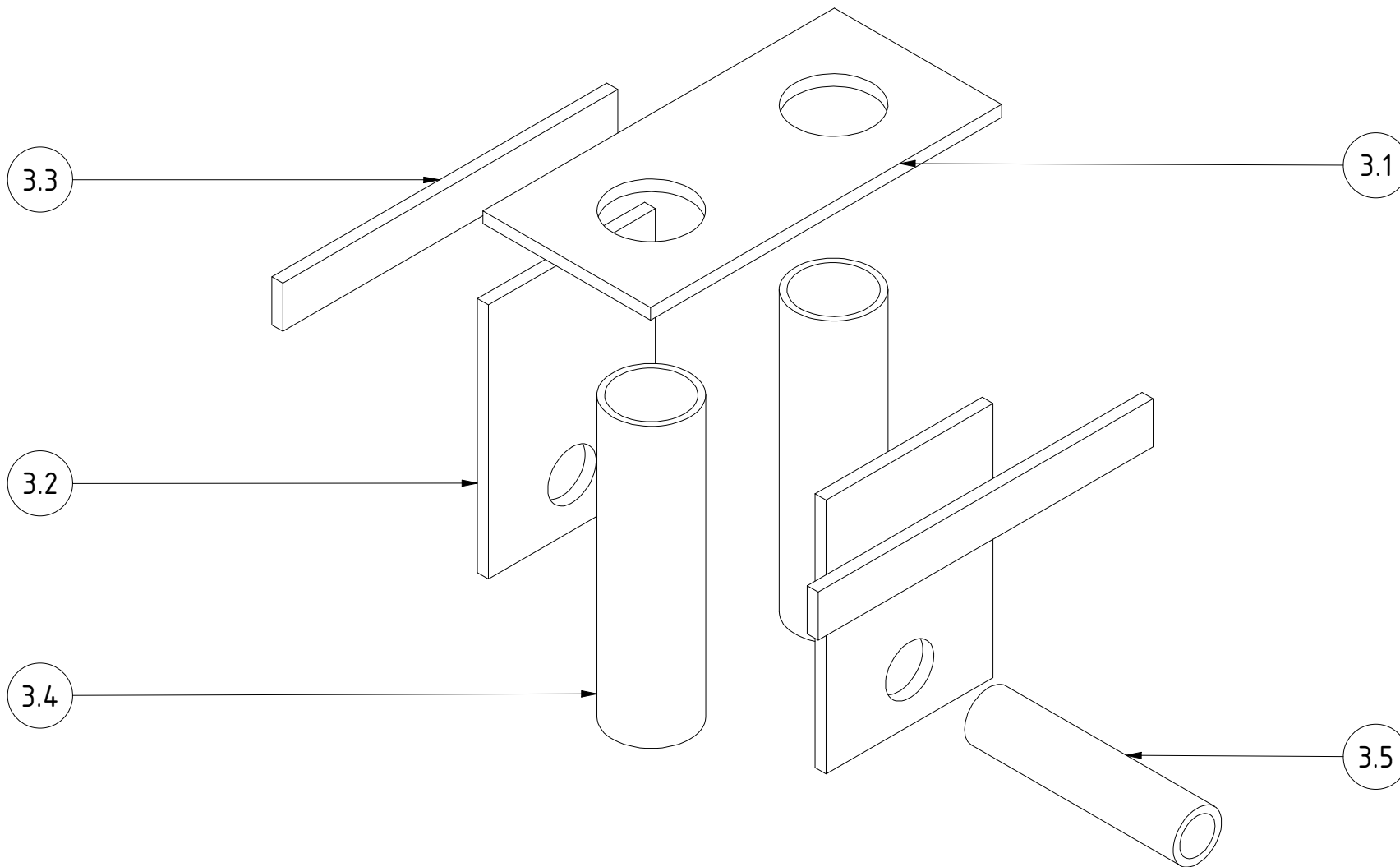
N (1 : 2)




P (1 : 2)

Note: All units in mm.

PROJECT Brick Making Machine CETA-RAM - for soil bricks		CREATED BY J. Rosciano		APPROVED BY A. Morillo		DATE 28/07/2021		VERSION 1.1		
PART NAME Piston assembly		FILE NAME Piston assembly.iam								POS 3.0
DEVELOPED BY Centro de Experimentación en Tecnología Apropiaada		REDESIGNED BY OHO e.V.		DOC. TYPE Assembly		MATERIAL		QUANTITY 1		
				LICENCE CC-BY-SA 4.0		SCALE 1/4		SHEET 24 /53		



PROJECT Brick Making Machine CETA-RAM - for soil bricks		CREATED BY J. Rosciano	APPROVED BY A. Morillo	DATE 28/07/2021	VERSION 1.1
PART NAME Piston assembly		FILE NAME Piston assembly.ipn			POS 3.0
DEVELOPED BY Centro de Experimentación en Tecnología Apropiada		REDESIGNED BY  OHO e.V.	DOC. TYPE Assembly	MATERIAL	QUANTITY 1
			LICENCE CC-BY-SA 4.0	SCALE 1/4	SHEET 25 /53