
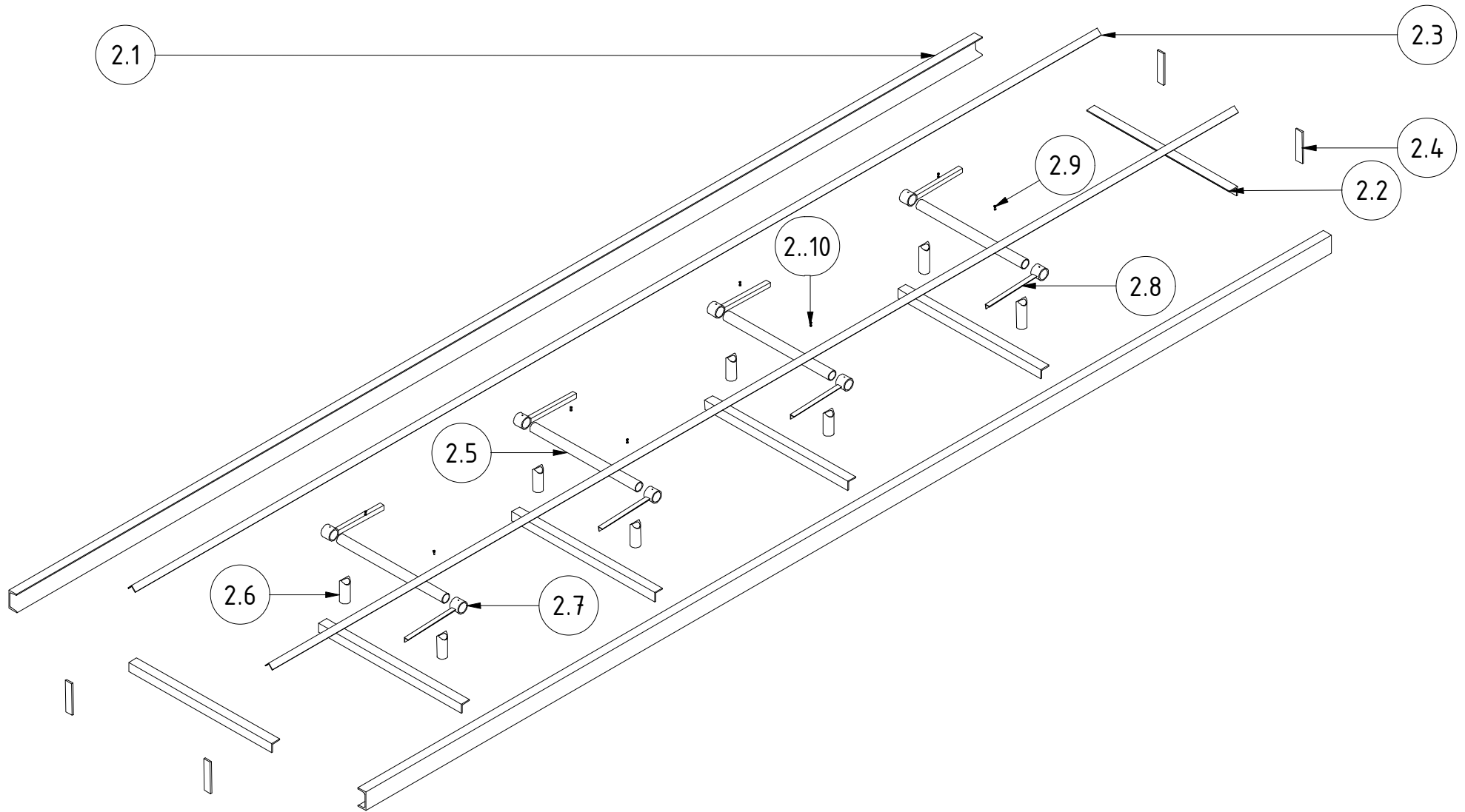



Note: All units in mm.

| | | | | |
|--|------------------|-------------|------------|----------|
| PROJECT | CREATED BY | APPROVED BY | DATE | VERSION |
| Bandsaw mill | J. Rosciano | A. Morillo | 11/09/2021 | 1.1 |
| PART NAME | FILE NAME | | | POS |
| Bed assembly | Bed assembly.iam | | | 2.0 |
| PUBLISHED BY | DOC. TYPE | | MATERIAL | QUANTITY |
|  OPEN HARDWARE OBSERVATORY Free Blueprints for Sustainable Development | Assembly | | | 1 |
| | LICENCE | | SCALE | SHEET |
| OHO e.V. | CC-BY-SA 4.0 | | 1/30 | 18 /71 |



| | | | | |
|--|------------------|-------------|------------|---------|
| PROJECT | CREATED BY | APPROVED BY | DATE | VERSION |
| Bandsaw mill | J. Rosciano | A. Morillo | 11/09/2021 | 1.1 |
| PART NAME | FILE NAME | | | POS |
| Bed assembly | Bed assembly.ipn | | | 2.0 |
| PUBLISHED BY | DOC. TYPE | MATERIAL | QUANTITY | |
|  OPEN HARDWARE OBSERVATORY Free Blueprints for Sustainable Development | Assembly | | 1 | |
| | LICENCE | SCALE | SHEET | |
| OHO e.V. | CC-BY-SA 4.0 | 1/25 | 19 /71 | |