
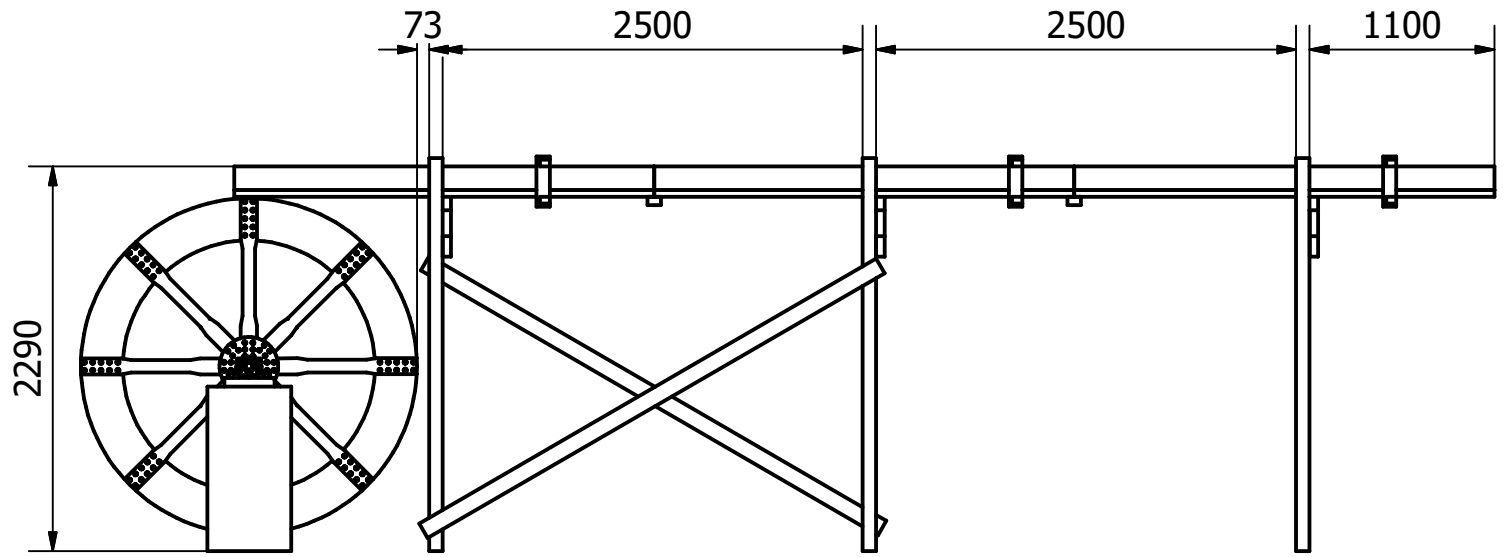
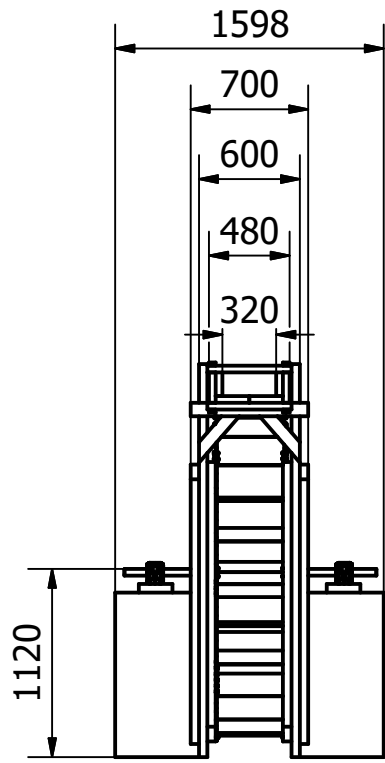

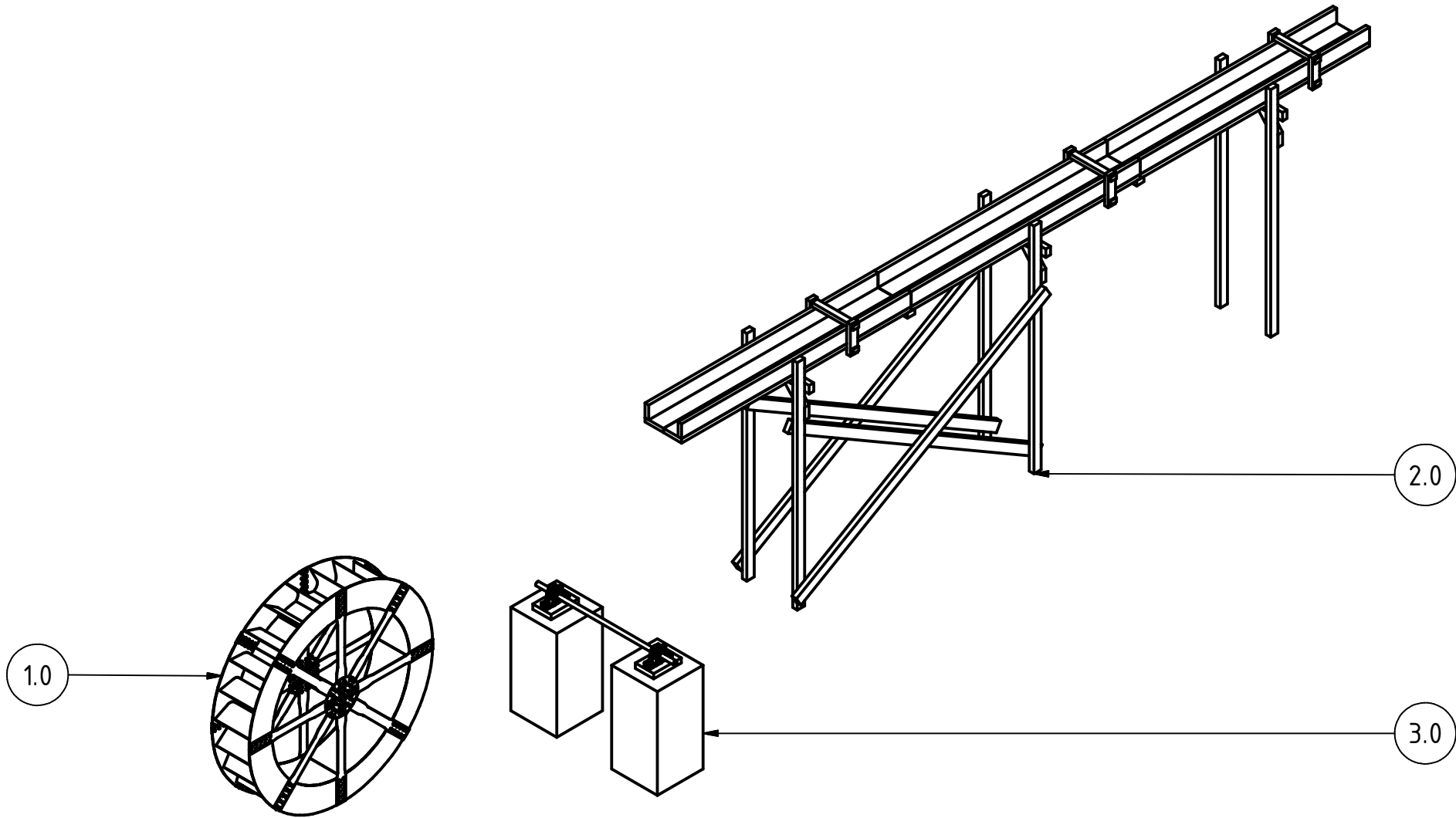



Note: all units in mm.

PROJECT	CREATED BY	APPROVED BY	DATE	VERSION
Water wheel diameter 2m	J. ROSCIANO	A. MORILLO	01/12/2021	1.0
PART NAME	FILE NAME			POS
3D views	ho_ww2_water-wheel-diameter-2m.iam			A1
DEVELOPED BY	REDESIGNED BY	DOC. TYPE	MATERIAL	QUANTITY
Henry Walker - Youtube	 OPEN SOURCE ECOLOGY GERMANY	OHO e.V. Assembly		1
		LICENCE	SCALE	SHEET
		CC-BY-SA 4.0	1/35	1 /31




PROJECT	CREATED BY	APPROVED BY	DATE	VERSION
Water wheel diameter 2m	J. ROSCIANO	A. MORILLO	01/12/2021	1.0
PART NAME	FILE NAME			POS
3D views	ho_ww2_water-wheel-diameter-2m.iam			A1
DEVELOPED BY	REDESIGNED BY	DOC. TYPE	MATERIAL	QUANTITY
Henry Walker - Youtube	 OPEN SOURCE ECOLOGY GERMANY	OHO e.V. Assembly		
		LICENCE	SCALE	SHEET
		CC-BY-SA 4.0		2 /31



PROJECT	CREATED BY	APPROVED BY	DATE	VERSION
Water wheel diameter 2m	J. ROSCIANO	A. MORILLO	01/12/2021	1.0
PART NAME	FILE NAME			POS
Exploded 3D view	ho_ww2_water-wheel-diameter-2m.ipn			A2
DEVELOPED BY	REDESIGNED BY	DOC. TYPE	MATERIAL	QUANTITY
Henry Walker - Youtube	 OPEN SOURCE ECOLOGY GERMANY	OHO e.V.		
		LICENCE	SCALE	SHEET
		CC-BY-SA 4.0		3 /31

Parts list


POS	QTY	PART NAME	FILE NAME	PART TYPE	SPECIFICATIONS	SHEET
A1		3D views	ho_ww2_water-wheel-diameter-2m.iam			2
A1		3D views	ho_ww2_water-wheel-diameter-2m.iam			2
A2		Exploded 3D view	ho_ww2_water-wheel-diameter-2m.ipn			3
B1		Parts list	ho_ww2_water-wheel-diameter-2m.csv			4
B2		Parts list	ho_ww2_water-wheel-diameter-2m.csv			5
C1		Technical notes				6
1.0	1	Wheel assembly	Wheel assembly.iam			8
1.1	8	Bucket bottom	Bucket bottom.ipt	Production	50x50 G16, Galvanizaed steel	9
1.2	16	Bucket side	Bucket side.ipt	Production	50x50x4 G16, Galvanizaed steel	10
1.3	24	Bucket	Bucket.ipt	Production	G16, Galvanizaed steel	11
1.4	2	Long spokes	Long spokes.ipt	Production	G16, Galvanizaed steel	12
1.5	4	Perpendicular spokes	Perpendicular spokes.ipt	Production	G16, Galvanizaed steel	13
1.6	8	Pointed spokes	Pointed spokes.ipt	Production	G16, Galvanizaed steel	14
1.7	2	Parts list	Hub.ipt	Production	Thk 3, Steel A36.	15
1.8	80	Bolt wheel		Standard	DIN 6921 - M8x16	
1.9	80	Nut wheel		Standard	DIN 439-2 M8	
1.10	1	Collar wheel		Standard	DIN 705-B40	
1.11	1	Bolt socket head		Standard	ISO 4762-M6	
2.0	1	Channel assembly	Channel assembly.iam			17
2.1	6	Channel bottom	Channel bottom.ipt	Production	200x40x2500, Hardwood	18
2.2	6	Channel side	Channel side.ipt	Production	140x40x2500, Hardwood	19
2.3	3	Channel support a	Channel support A.ipt	Production	80x50x700, Hardwood	20
2.4	2	Channel support b	Channel support B.ipt	Production	80x50x400, Hardwood	21
2.5	6	Channel support c	Channel support C.ipt	Production	80x40x300, Hardwood	22
2.6	6	Parts list	Channel support D.ipt	Production	60x40x500, Hardwood	23
2.7	6	Leg	Leg.ipt	Production	80x50x2340, Hardwood	24
2.8	6	Leg support	Leg support.ipt	Production	80x50x366, Hardwood	25
2.9	4	Cross support	Cross support.ipt	Production	50x100x3144, Hardwood	26
2.10	150	Screw		Standard	OD 4 long 30 mm	

PROJECT		CREATED BY		APPROVED BY		DATE		VERSION	
Water wheel diameter 2m		J. ROSCIANO		A. MORILLO		01/12/2021		1.0	
PART NAME			FILE NAME				POS		
Parts list			ho_ww2_water-wheel-diameter-2m.csv				B1		
DEVELOPED BY			REDESIGNED BY		DOC. TYPE		MATERIAL		QUANTITY
Henry Walker - Youtube			 OPEN SOURCE ECOLOGY GERMANY		Parts list				
					LICENCE		SCALE		SHEET
					CC-BY-SA 4.0				4 /31

OHO e.V.

Parts list


POS	QTY	PART NAME	FILE NAME	PART TYPE	SPECIFICATIONS	SHEET
3.0	1	Mechanism assembly	Mechanism assembly.iam			28
3.1	1	Shaft	Shaft.ipt	Production	OD 40, Steel A36.	29
3.2	2	Bearing base	Bearing base.ipt	Production	200x50x300, Hardwood	30
3.3	2	Foundation	Foundation.ipt	Production	500x980x500, Concrete	31
3.4	2	Bearing	Bearing	Buy	SKF_FSNL 511-609	
3.5	8	Bolt bearing	Bolt Bearing	Standard	DIN 6914 - M12 x 50	

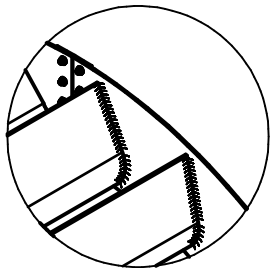
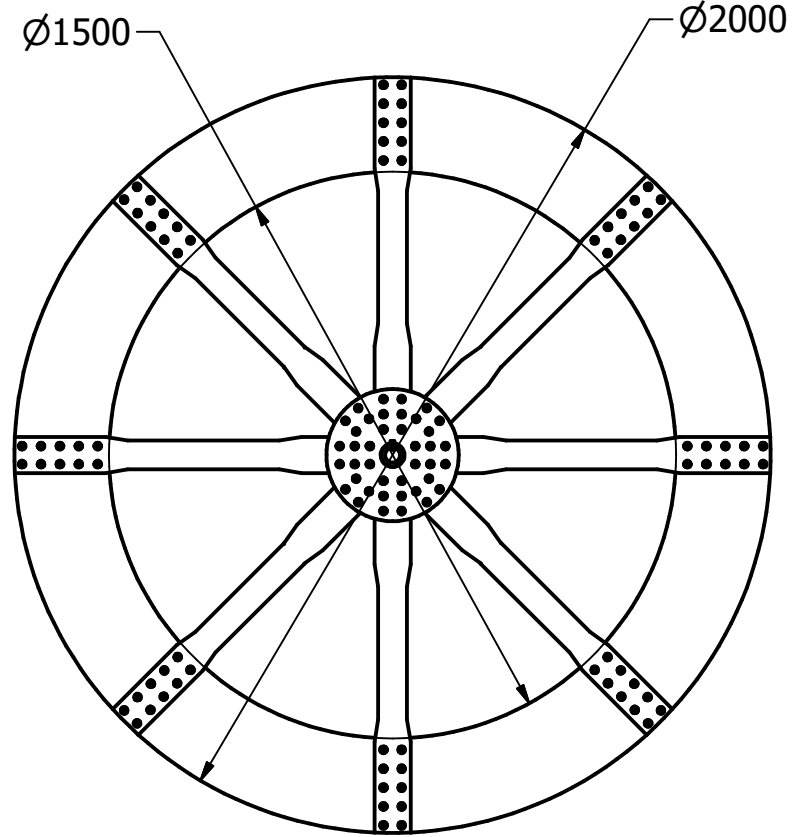
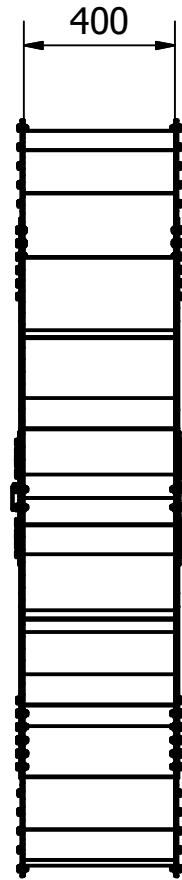
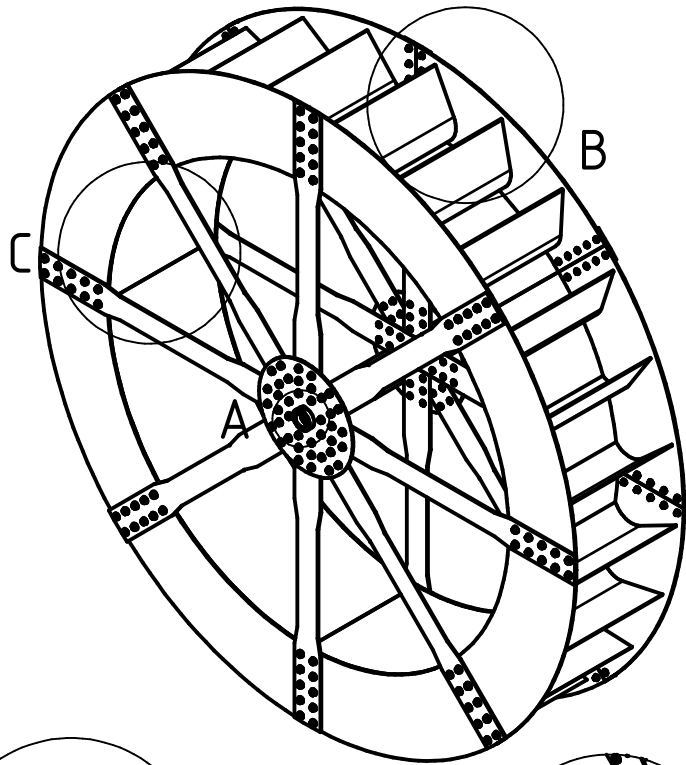
PROJECT		CREATED BY		APPROVED BY		DATE		VERSION	
Water wheel diameter 2m		J. ROSCIANO		A. MORILLO		01/12/2021		1.0	
PART NAME			FILE NAME					POS	
Parts list			ho_ww2_water-wheel-diameter-2m.csv					B2	
DEVELOPED BY			REDESIGNED BY		DOC. TYPE		MATERIAL		QUANTITY
Henry Walker - Youtube			 OPEN SOURCE ECOLOGY GERMANY		Parts list				
					LICENCE		SCALE		SHEET
					CC-BY-SA 4.0				5 /31

OHO e.V.

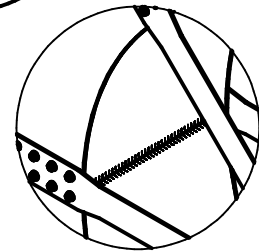
TECHNICAL NOTES

NOTES	CONTENT
GENERAL NOTES	
Metal structure treatment	Iron structures should be painted to prevent rust and improve equipment life. - Remove loose rust with a wire brush, sandpaper or chemical rust remover. - If applicable, sand areas where paint is chipping until surface is smooth. - Remove dust or oil with a degreaser or denatured alcohol. - Prime surface to protect against rust and corrosion
Foundations fixing	- The ground must be stable and have a low water table. - The structure must be fixed on firm oncrete soil or on poured footings with steel reinforcement. - The anchorage can be bolted with expansive ramplugs or welded.
Wood treatment	- The wood must be treated with pesticides and kiln-dried to ensure adequate humidity. - Wood sealer should be applied for later use.

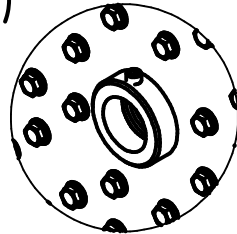
PROJECT	CREATED BY	APPROVED BY	DATE	VERSION
Water wheel diameter 2m	J. ROSCIANO	A. MORILLO	01/12/2021	1.0
PART NAME	FILE NAME			POS
Technical notes				C1
DEVELOPED BY	REDESIGNED BY	DOC. TYPE	MATERIAL	QUANTITY
Henry Walker - Youtube	 OPEN SOURCE ECOLOGY GERMANY	Technical notes OHO e.V.		
		LICENCE	SCALE	SHEET
		CC-BY-SA 4.0		6 /31




B ( 1 : 15 )

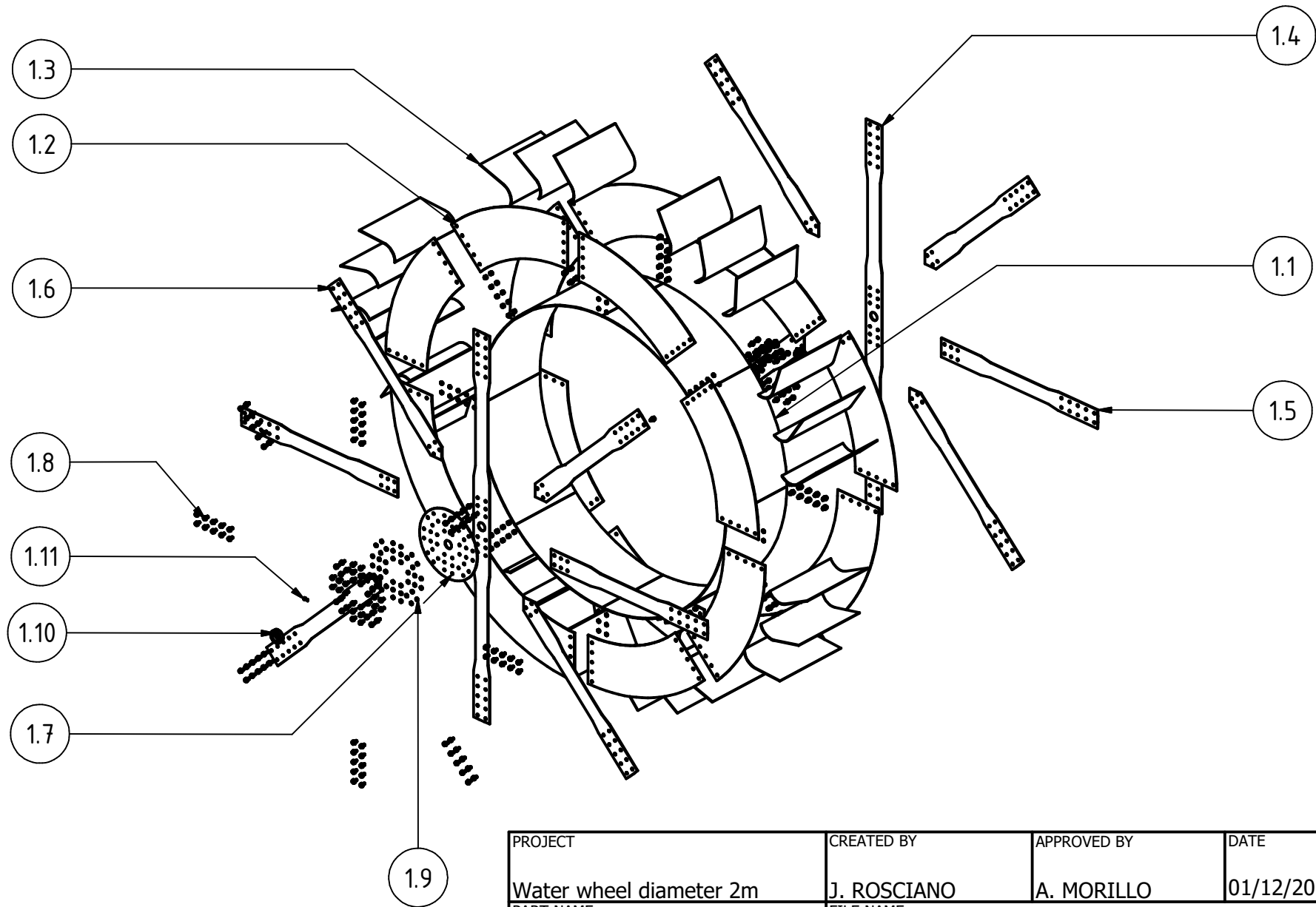



C ( 1 : 15 )



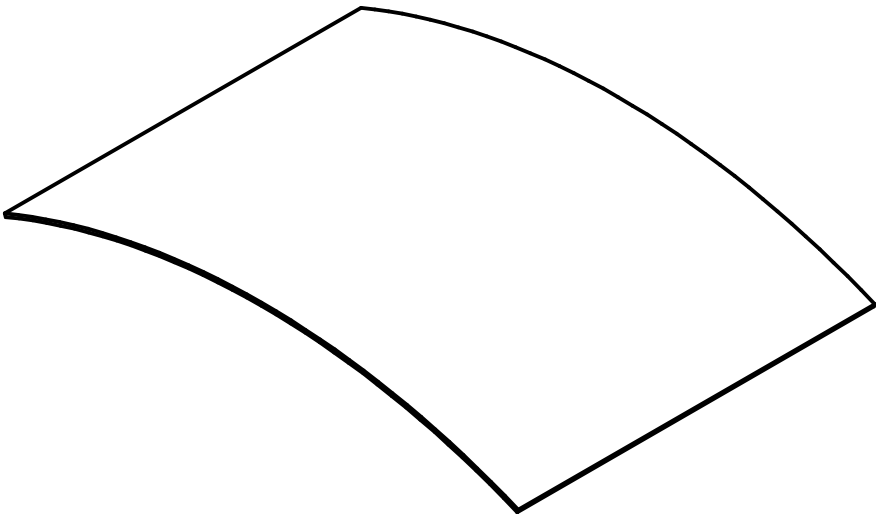
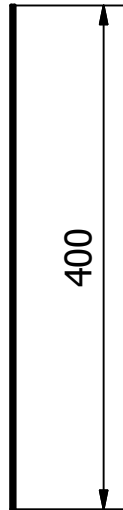
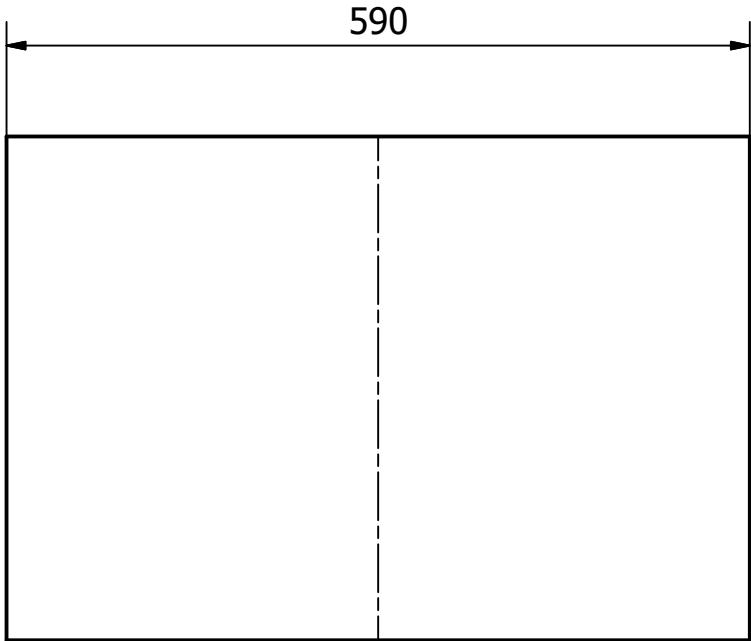
A ( 1 : 5 )


PROJECT	CREATED BY	APPROVED BY	DATE	VERSION
Water wheel diameter 2m	J. ROSCIANO	A. MORILLO	01/12/2021	1.0
PART NAME	FILE NAME			POS
Wheel assembly	Wheel assembly.iam			1.0
DEVELOPED BY	REDESIGNED BY	DOC. TYPE	MATERIAL	QUANTITY
Henry Walker - Youtube	 OPEN SOURCE ECOLOGY GERMANY	OHO e.V. Assembly		1
		LICENCE	SCALE	SHEET
		CC-BY-SA 4.0		7 /31

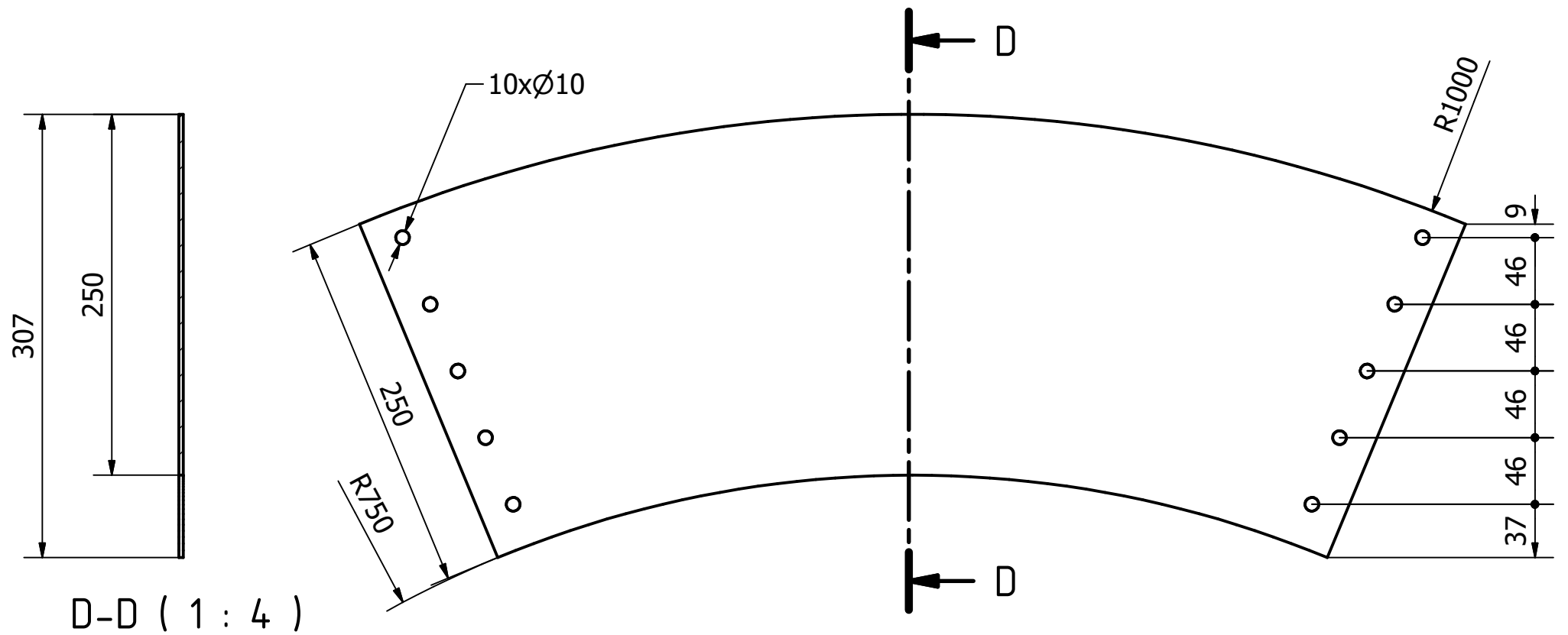



PROJECT	CREATED BY	APPROVED BY	DATE	VERSION
Water wheel diameter 2m	J. ROSCIANO	A. MORILLO	01/12/2021	1.0
PART NAME	FILE NAME			POS
Wheel assembly	Wheel assembly.iam			1.0
DEVELOPED BY	REDESIGNED BY	DOC. TYPE	MATERIAL	QUANTITY
Henry Walker - Youtube	 OPEN SOURCE ECOLOGY GERMANY	OHO e.V. Assembly		1
		LICENCE	SCALE	SHEET
		CC-BY-SA 4.0		8 /31



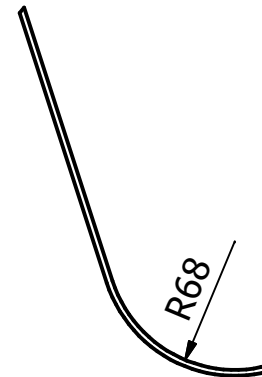
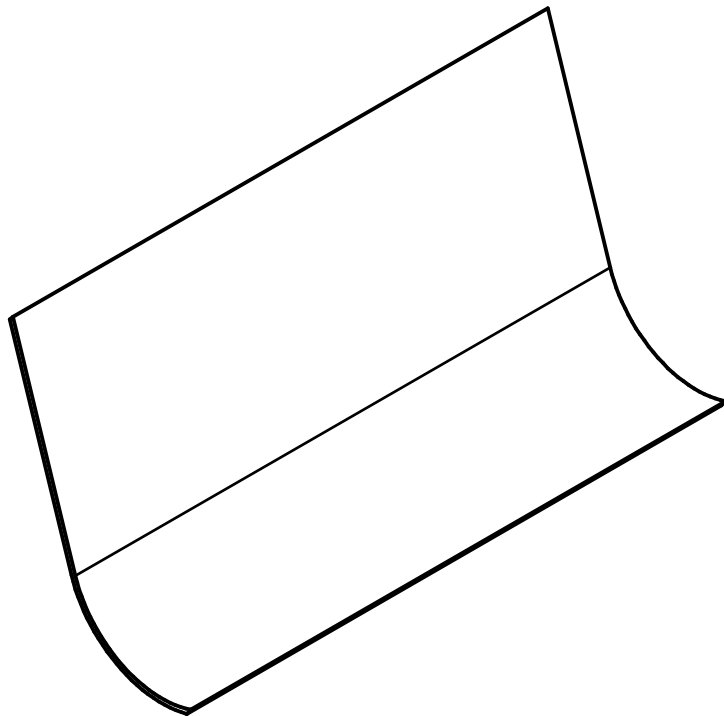
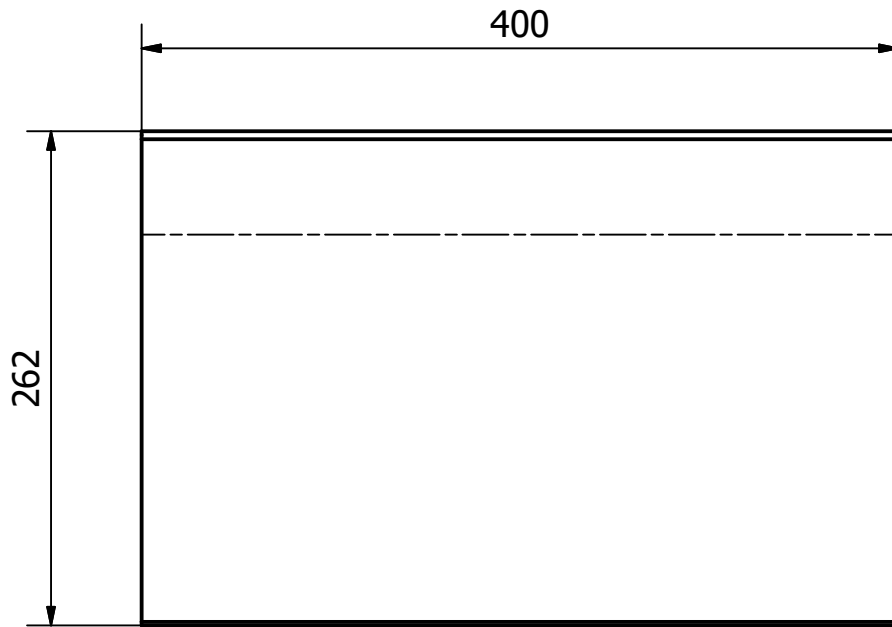



PROJECT	CREATED BY	APPROVED BY	DATE	VERSION
Water wheel diameter 2m	J. ROSCIANO	A. MORILLO	01/12/2021	1.0
PART NAME	FILE NAME			POS
Bucket bottom	Bucket bottom.ipt			1.1
DEVELOPED BY	REDESIGNED BY	DOC. TYPE	MATERIAL	QUANTITY
Henry Walker - Youtube	 OPEN SOURCE ECOLOGY GERMANY	OHO e.V. Part	Galvanizaed steel	8
		LICENCE	SCALE	SHEET
		CC-BY-SA 4.0		9 /31

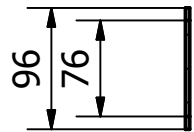


PROJECT	CREATED BY	APPROVED BY	DATE	VERSION
Water wheel diameter 2m	J. ROSCIANO	A. MORILLO	01/12/2021	1.0
PART NAME	FILE NAME			POS
Bucket side	Bucket side.ipt			1.2
DEVELOPED BY	REDESIGNED BY	DOC. TYPE	MATERIAL	QUANTITY
		Part	Galvanizaed steel	16
Henry Walker - Youtube	OPEN SOURCE ECOLOGY GERMANY	LICENCE	SCALE	SHEET
		CC-BY-SA 4.0		10 /31

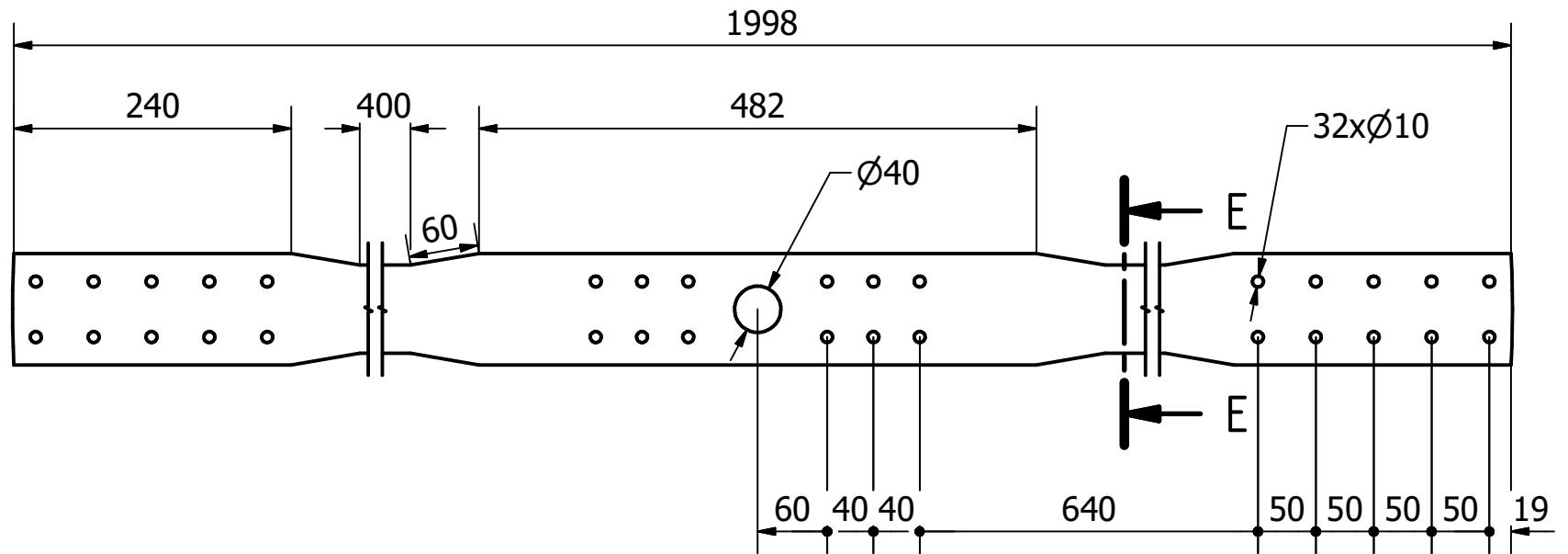
OHO e.V.




PROJECT	CREATED BY	APPROVED BY	DATE	VERSION
Water wheel diameter 2m	J. ROSCIANO	A. MORILLO	01/12/2021	1.0
PART NAME	FILE NAME			POS
Bucket	Bucket.ipt			1.3
DEVELOPED BY	REDESIGNED BY	DOC. TYPE	MATERIAL	QUANTITY
Henry Walker - Youtube	 OPEN SOURCE ECOLOGY GERMANY	OHO e.V. Part	Galvanizaed steel	24
		LICENCE	SCALE	SHEET
		CC-BY-SA 4.0		11 /31

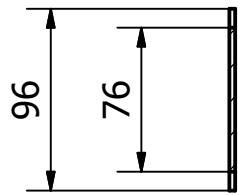


E-E ( 1 : 6 )

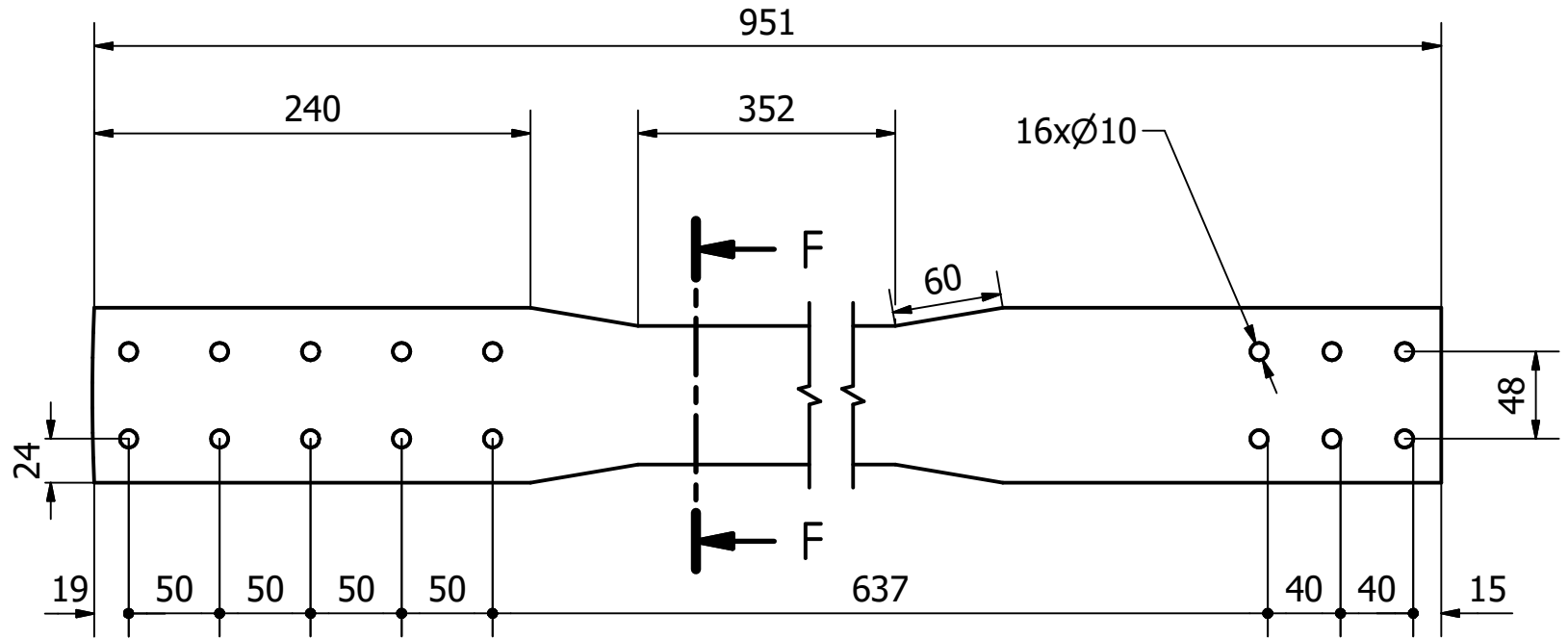



PROJECT	CREATED BY	APPROVED BY	DATE	VERSION
Water wheel diameter 2m	J. ROSCIANO	A. MORILLO	01/12/2021	1.0
PART NAME	FILE NAME			POS
Long spokes	Long spokes.ipt			1.4
DEVELOPED BY	REDESIGNED BY	DOC. TYPE	MATERIAL	QUANTITY
	 OPEN SOURCE ECOLOGY GERMANY	Part	Galvanizaed steel	2
Henry Walker - Youtube		LICENCE	SCALE	SHEET
		CC-BY-SA 4.0		12 /31

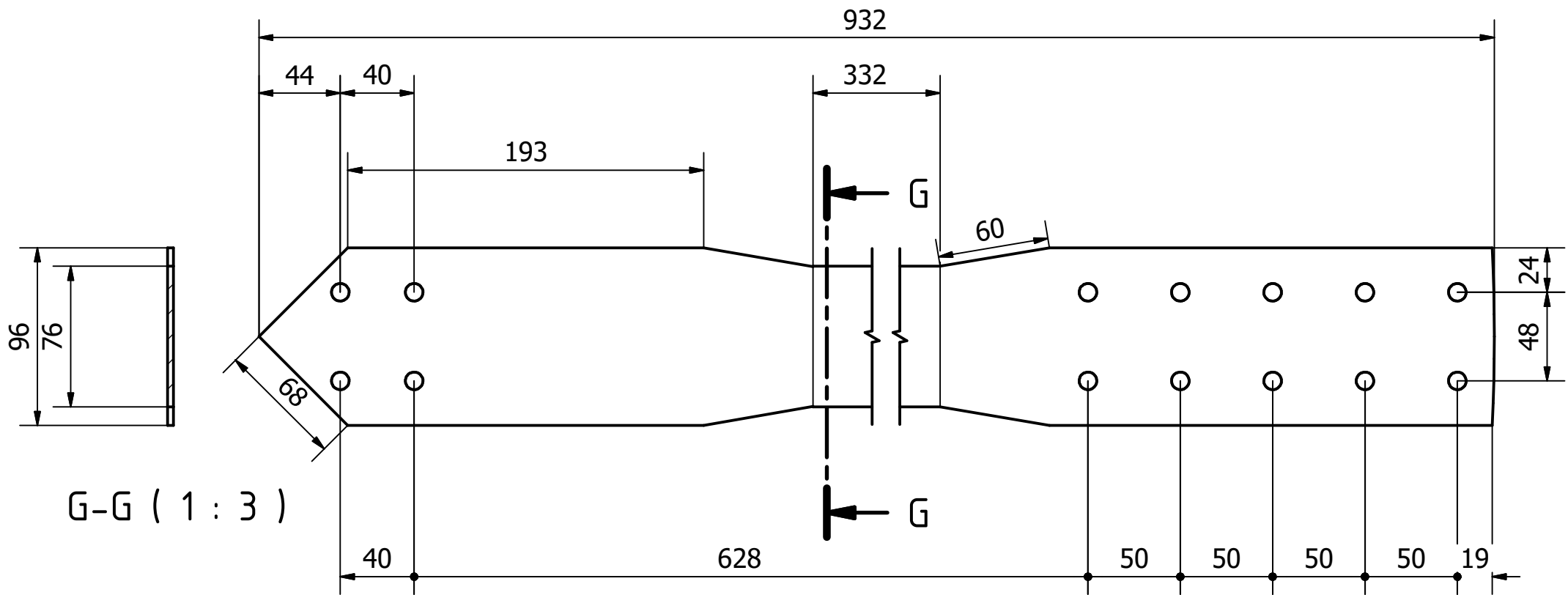
OHO e.V.




F-F ( 1 : 4 )



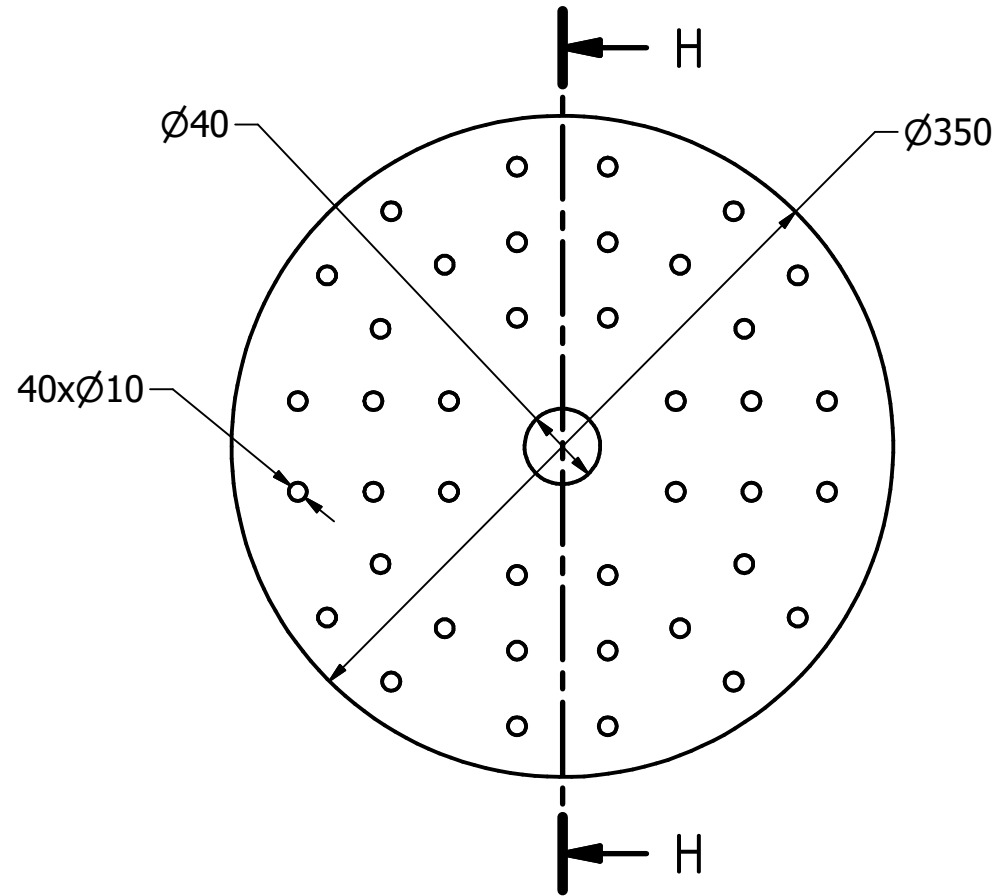
PROJECT	CREATED BY	APPROVED BY	DATE	VERSION
Water wheel diameter 2m	J. ROSCIANO	A. MORILLO	01/12/2021	1.0
PART NAME	FILE NAME			POS
Perpendicular spokes	Perpendicular spokes.ipt			1.5
DEVELOPED BY	REDESIGNED BY	DOC. TYPE	MATERIAL	QUANTITY
		Part	Galvanizaed steel	4
Henry Walker - Youtube	OPEN SOURCE ECOLOGY GERMANY	LICENCE	SCALE	SHEET
		CC-BY-SA 4.0		13 /31




PROJECT	CREATED BY	APPROVED BY	DATE	VERSION
Water wheel diameter 2m	J. ROSCIANO	A. MORILLO	01/12/2021	1.0
PART NAME	FILE NAME			POS
Pointed spokes	Pointed spokes.ipt			1.6
DEVELOPED BY	REDESIGNED BY	DOC. TYPE	MATERIAL	QUANTITY
	 OPEN SOURCE ECOLOGY GERMANY	Part	Galvanizaed steel	8
Henry Walker - Youtube		LICENCE	SCALE	SHEET
		CC-BY-SA 4.0		14 /31

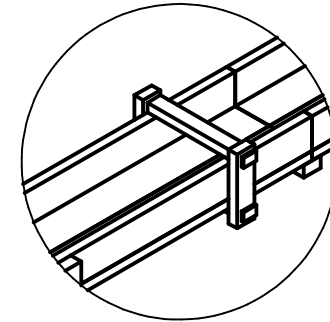
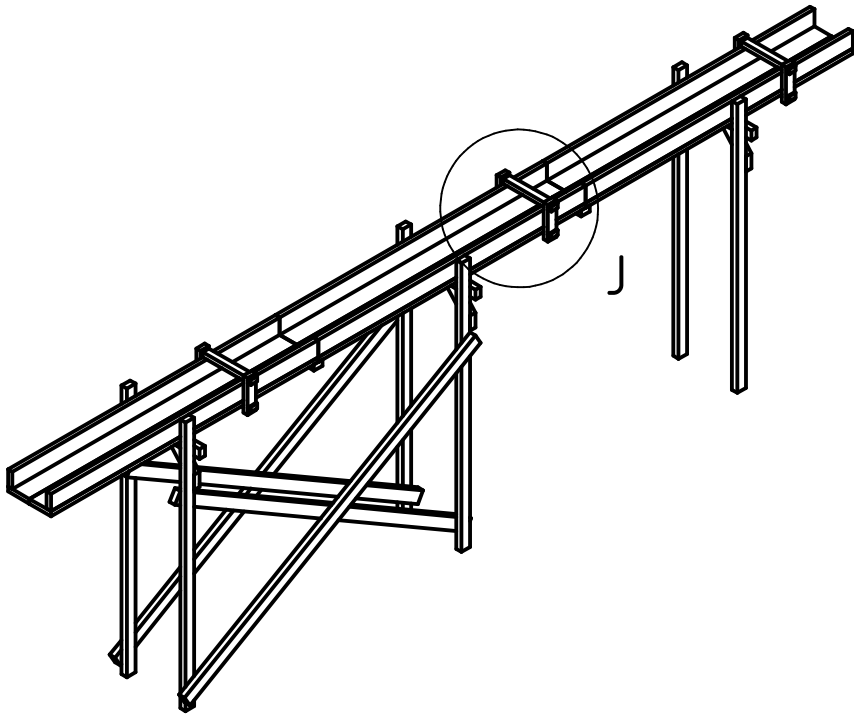
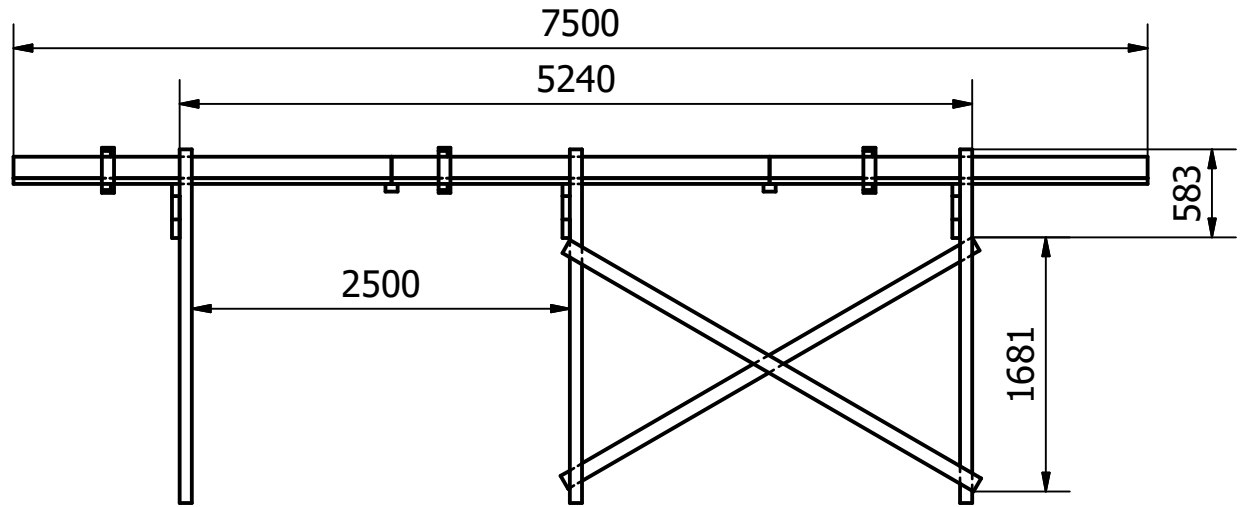
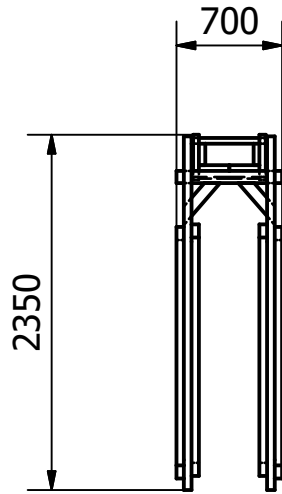


H-H ( 1 : 4 )




PROJECT	CREATED BY	APPROVED BY	DATE	VERSION
Water wheel diameter 2m	J. ROSCIANO	A. MORILLO	01/12/2021	1.0
PART NAME	FILE NAME			POS
Parts list	Hub.ipt			1.7
DEVELOPED BY	REDESIGNED BY	DOC. TYPE	MATERIAL	QUANTITY
Henry Walker - Youtube	 OPEN SOURCE ECOLOGY GERMANY	Part	Steel A36.	2
		LICENCE	SCALE	SHEET
		CC-BY-SA 4.0		15 /31

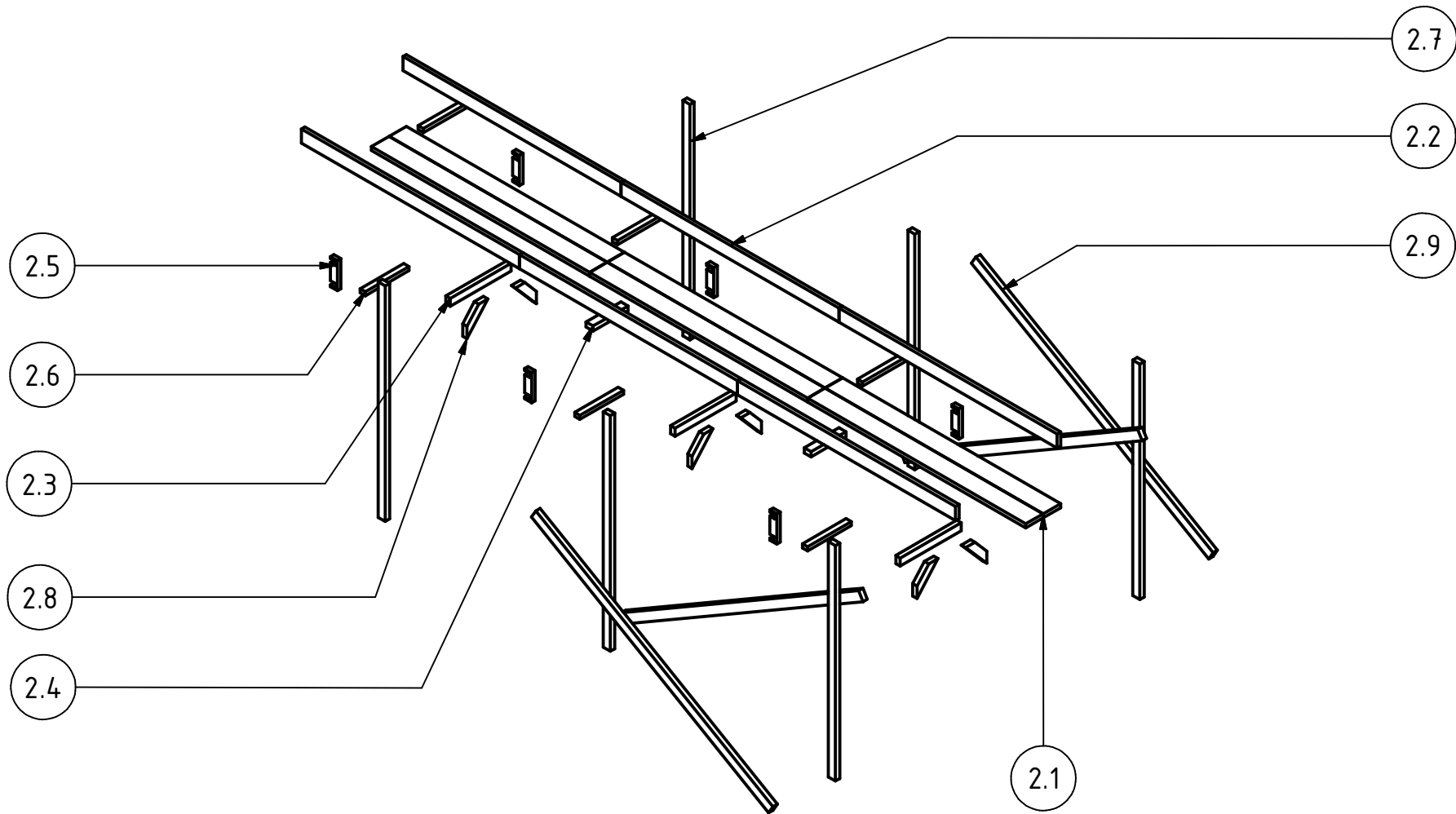
OHO e.V.




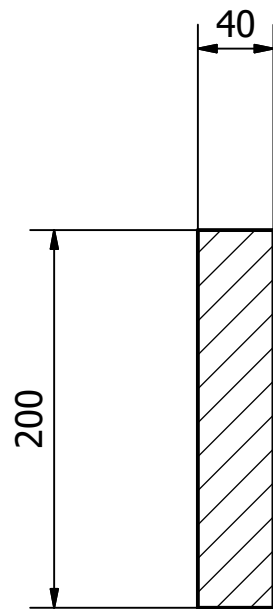
J ( 1 : 25 )

PROJECT	CREATED BY	APPROVED BY	DATE	VERSION
Water wheel diameter 2m	J. ROSCIANO	A. MORILLO	01/12/2021	1.0
PART NAME	FILE NAME			POS
Channel assembly	Channel assembly.iam			2.0
DEVELOPED BY	REDESIGNED BY	DOC. TYPE	MATERIAL	QUANTITY
Henry Walker - Youtube	 OPEN SOURCE ECOLOGY GERMANY	OHO e.V. Assembly		1
		LICENCE	SCALE	SHEET
		CC-BY-SA 4.0		16 /31

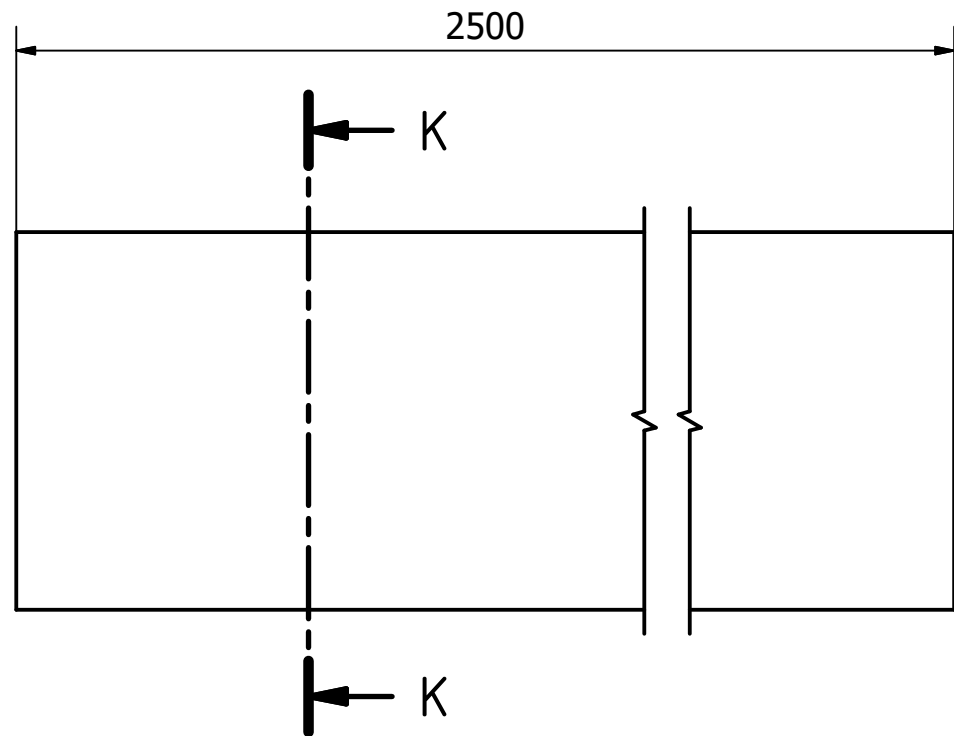





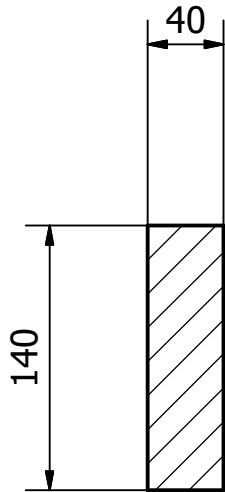
PROJECT	CREATED BY	APPROVED BY	DATE	VERSION
Water wheel diameter 2m	J. ROSCIANO	A. MORILLO	01/12/2021	1.0
PART NAME	FILE NAME			POS
Channel assembly	Channel assembly.iam			2.0
DEVELOPED BY	REDESIGNED BY	DOC. TYPE	MATERIAL	QUANTITY
	 OPEN SOURCE ECOLOGY GERMANY	OHO e.V. Assembly		1
Henry Walker - Youtube		LICENCE	SCALE	SHEET
		CC-BY-SA 4.0		17 /31



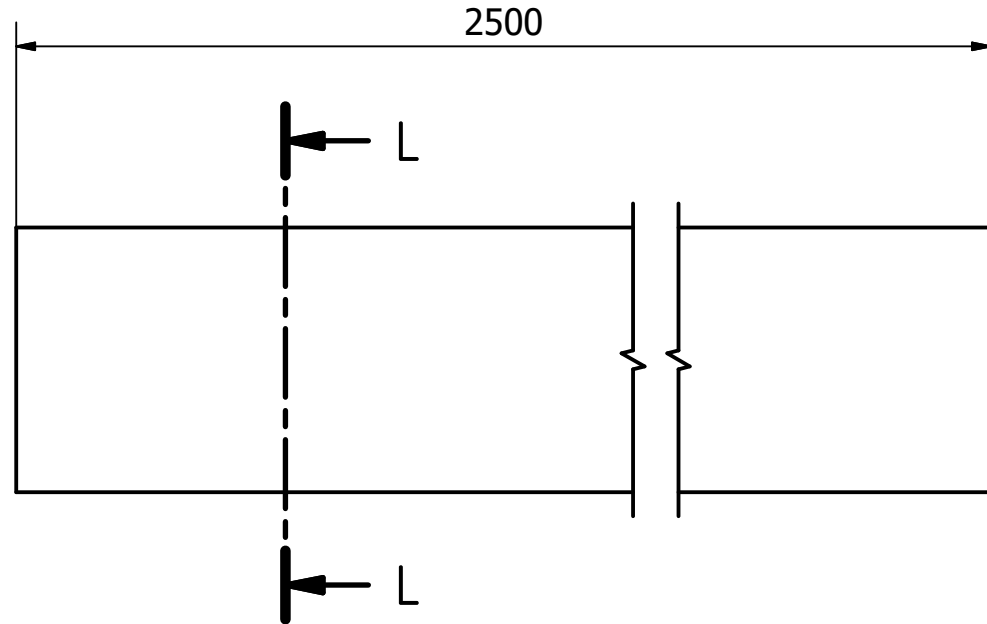
K-K ( 1 : 4 )




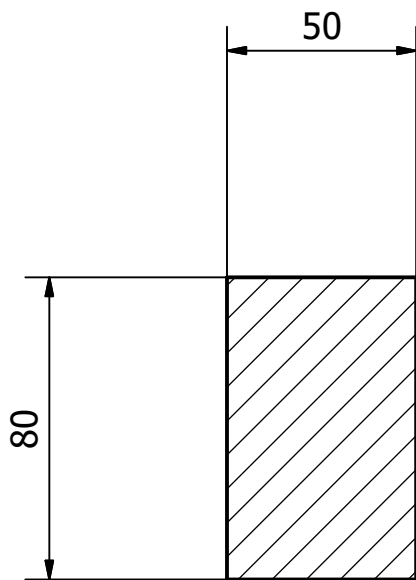
PROJECT	CREATED BY	APPROVED BY	DATE	VERSION
Water wheel diameter 2m	J. ROSCIANO	A. MORILLO	01/12/2021	1.0
PART NAME	FILE NAME			POS
Channel bottom	Channel bottom.ipt			2.1
DEVELOPED BY	REDESIGNED BY	DOC. TYPE	MATERIAL	QUANTITY
	 OPEN SOURCE ECOLOGY GERMANY	OHO e.V. Part	Hardwood	6
Henry Walker - Youtube		LICENCE	SCALE	SHEET
		CC-BY-SA 4.0		18 /31



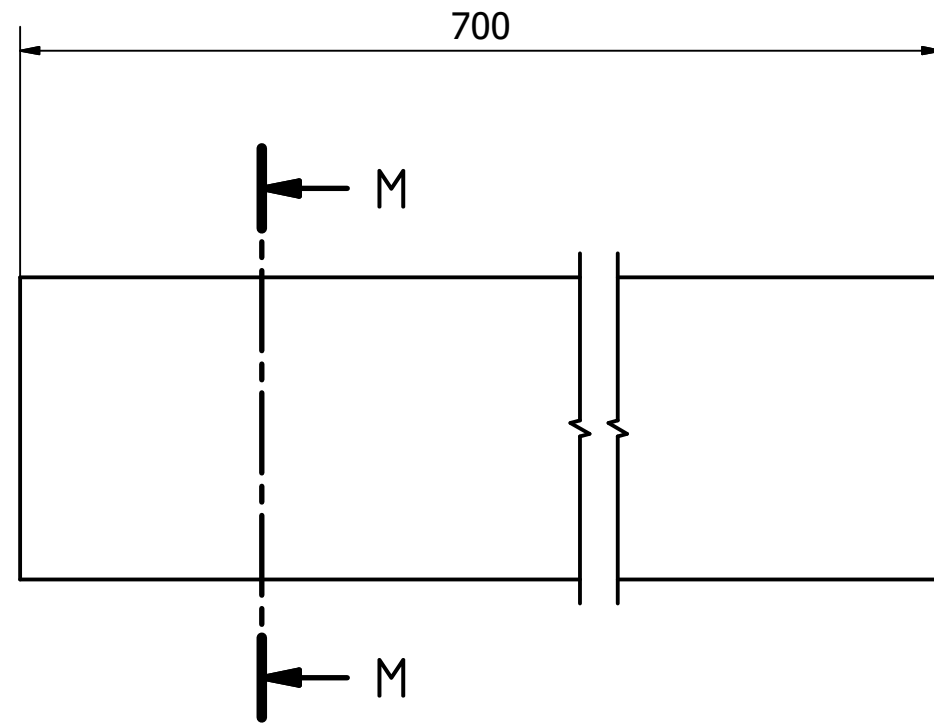
L-L ( 1 : 4 )




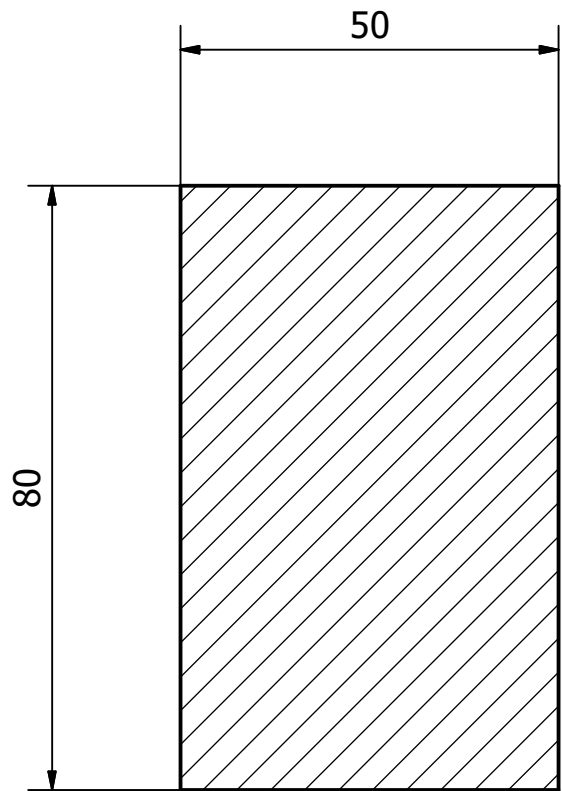
PROJECT	CREATED BY	APPROVED BY	DATE	VERSION
Water wheel diameter 2m	J. ROSCIANO	A. MORILLO	01/12/2021	1.0
PART NAME	FILE NAME			POS
Channel side	Channel side.ipt			2.2
DEVELOPED BY	REDESIGNED BY	DOC. TYPE	MATERIAL	QUANTITY
Henry Walker - Youtube	 OPEN SOURCE ECOLOGY GERMANY	OHO e.V. Part	Hardwood	6
		LICENCE	SCALE	SHEET
		CC-BY-SA 4.0		19 /31



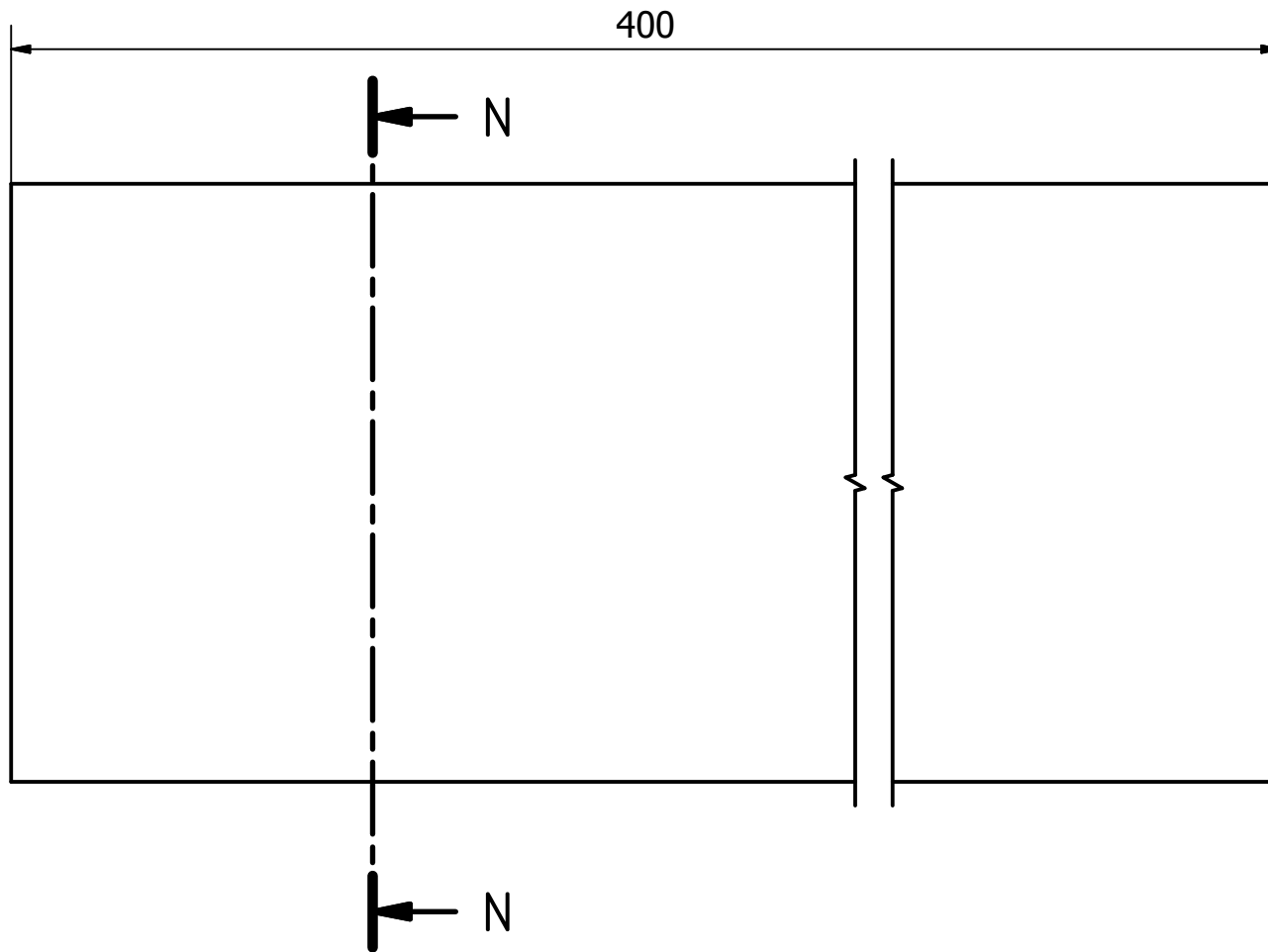
M-M ( 1 : 2 )




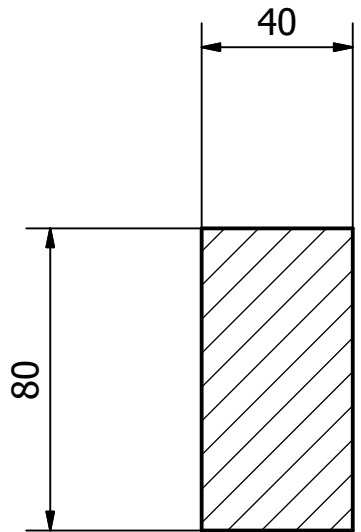
PROJECT	CREATED BY	APPROVED BY	DATE	VERSION
Water wheel diameter 2m	J. ROSCIANO	A. MORILLO	01/12/2021	1.0
PART NAME	FILE NAME			POS
Channel support a	Channel support A.ipt			2.3
DEVELOPED BY	REDESIGNED BY	DOC. TYPE	MATERIAL	QUANTITY
	 OPEN SOURCE ECOLOGY GERMANY	OHO e.V. Part	Hardwood	3
Henry Walker - Youtube		LICENCE	SCALE	SHEET
		CC-BY-SA 4.0		20 /31



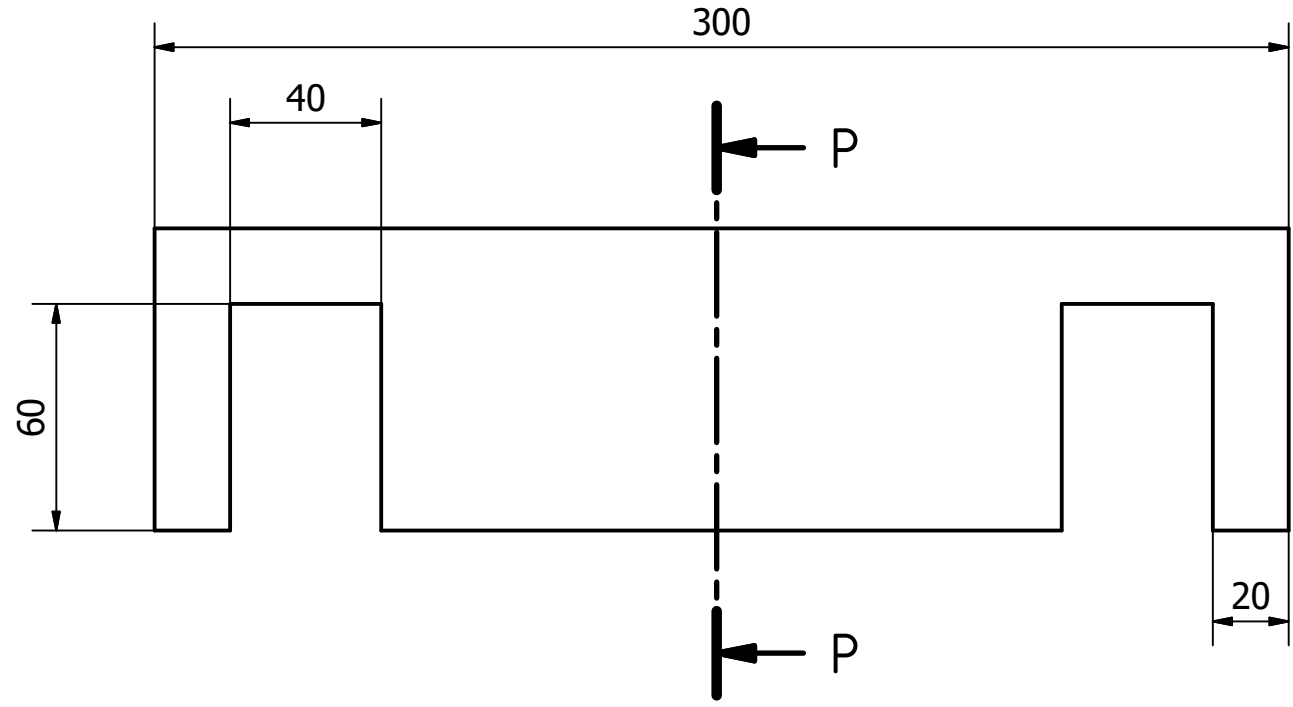
N-N ( 1 : 1 )




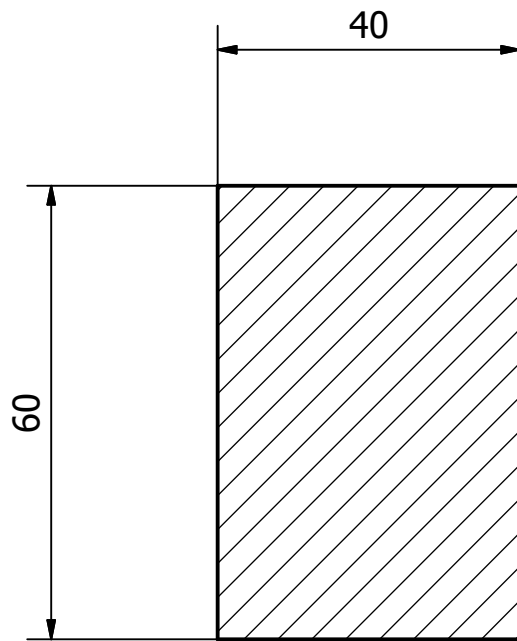
PROJECT	CREATED BY	APPROVED BY	DATE	VERSION
Water wheel diameter 2m	J. ROSCIANO	A. MORILLO	01/12/2021	1.0
PART NAME	FILE NAME			POS
Channel support b	Channel support B.ipt			2.4
DEVELOPED BY	REDESIGNED BY	DOC. TYPE	MATERIAL	QUANTITY
Henry Walker - Youtube	 OPEN SOURCE ECOLOGY GERMANY	OHO e.V.	Part	2
		LICENCE	SCALE	SHEET
		CC-BY-SA 4.0		21 /31



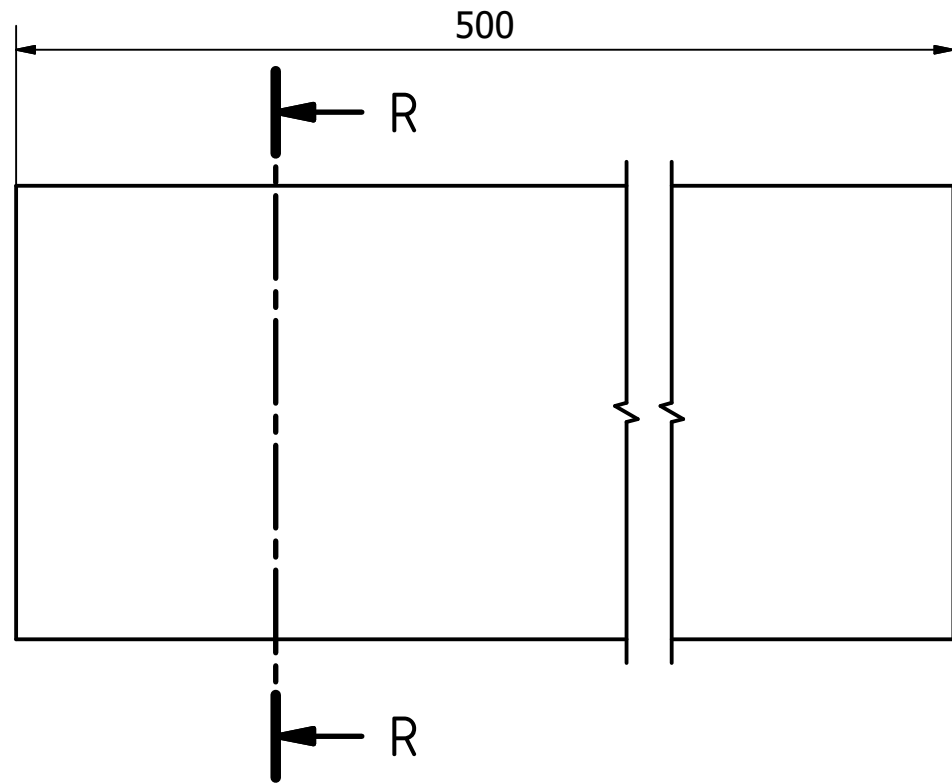
P-P ( 1 : 2 )



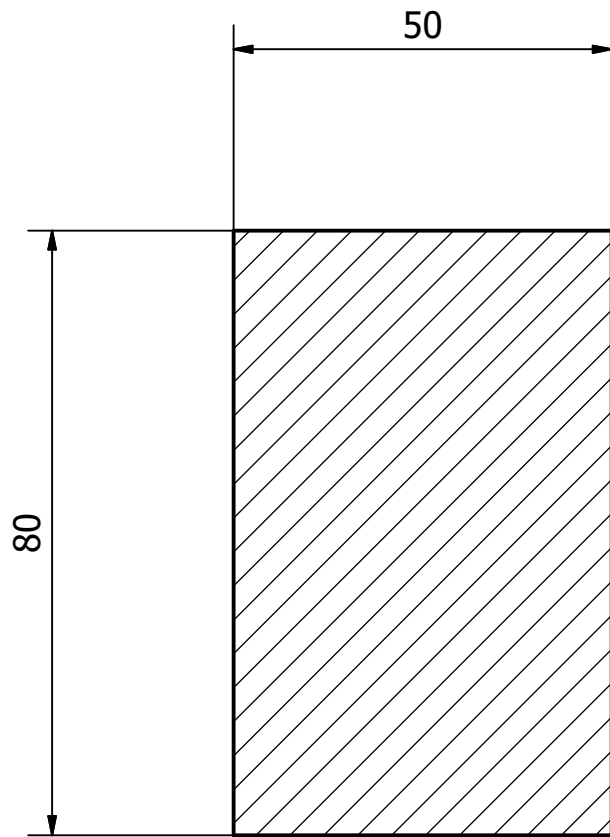
PROJECT	CREATED BY	APPROVED BY	DATE	VERSION
Water wheel diameter 2m	J. ROSCIANO	A. MORILLO	01/12/2021	1.0
PART NAME	FILE NAME			POS
Channel support c	Channel support C.ipt			2.5
DEVELOPED BY	REDESIGNED BY	DOC. TYPE	MATERIAL	QUANTITY
Henry Walker - Youtube	 OPEN SOURCE ECOLOGY GERMANY	OHO e.V.	Part	6
		LICENCE	SCALE	SHEET
		CC-BY-SA 4.0		22 /31



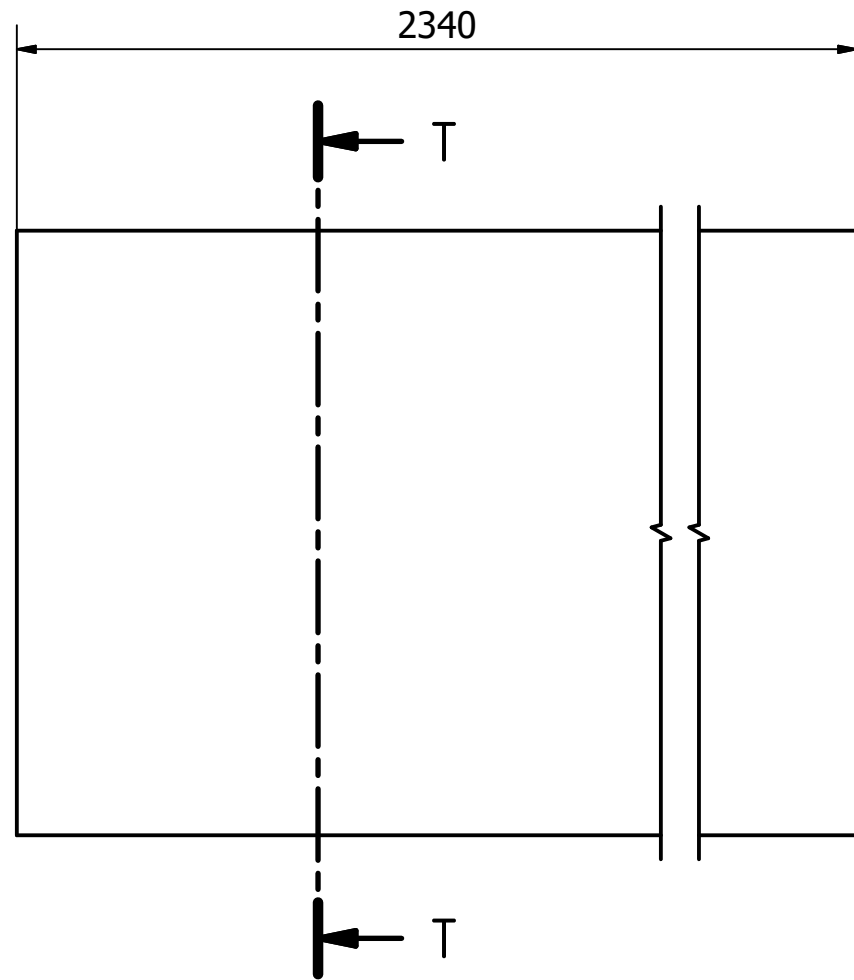
R-R ( 1 : 1 )




PROJECT	CREATED BY	APPROVED BY	DATE	VERSION
Water wheel diameter 2m	J. ROSCIANO	A. MORILLO	01/12/2021	1.0
PART NAME	FILE NAME			POS
Parts list	Channel support D.ipt			2.6
DEVELOPED BY	REDESIGNED BY	DOC. TYPE	MATERIAL	QUANTITY
	 OPEN SOURCE ECOLOGY GERMANY	Part	Hardwood	6
Henry Walker - Youtube		OHO e.V.	LICENCE	SCALE
		CC-BY-SA 4.0		23 /31

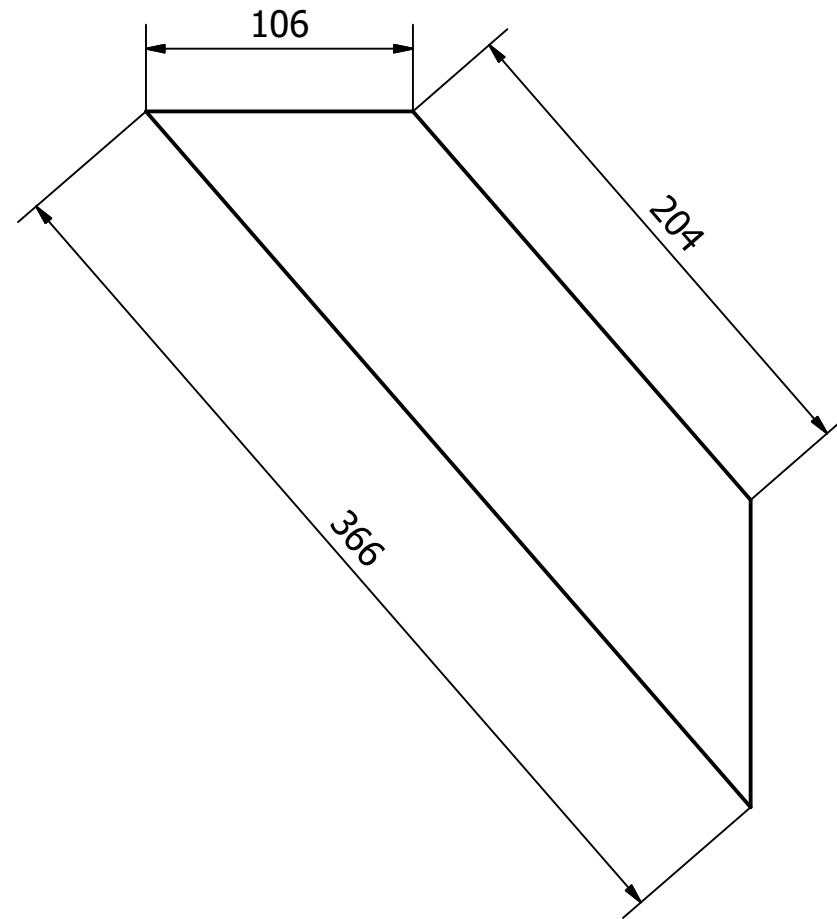
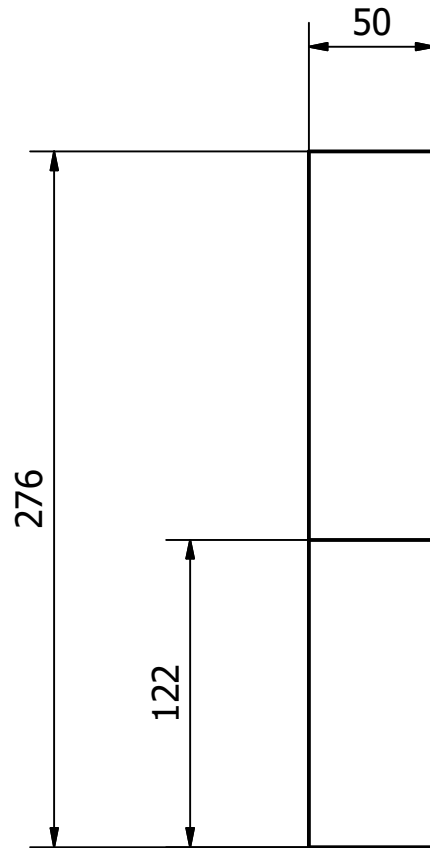



T-T ( 1 : 1 )

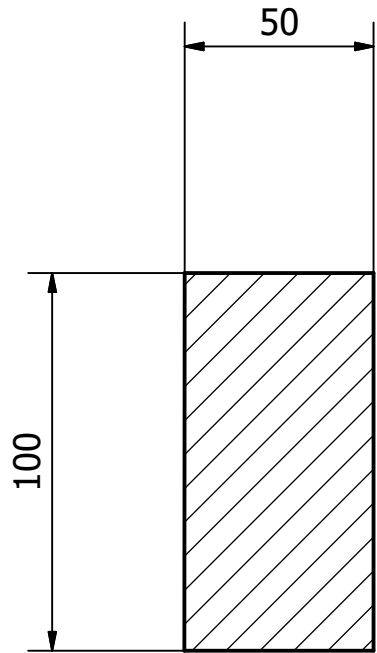


PROJECT	CREATED BY	APPROVED BY	DATE	VERSION
Water wheel diameter 2m	J. ROSCIANO	A. MORILLO	01/12/2021	1.0
PART NAME	FILE NAME			POS
Leg	Leg.ipt			2.7
DEVELOPED BY	REDESIGNED BY	DOC. TYPE	MATERIAL	QUANTITY
	 OPEN SOURCE ECOLOGY GERMANY	OHO e.V. Part	Hardwood	6
Henry Walker - Youtube		LICENCE	SCALE	SHEET
		CC-BY-SA 4.0		24 /31

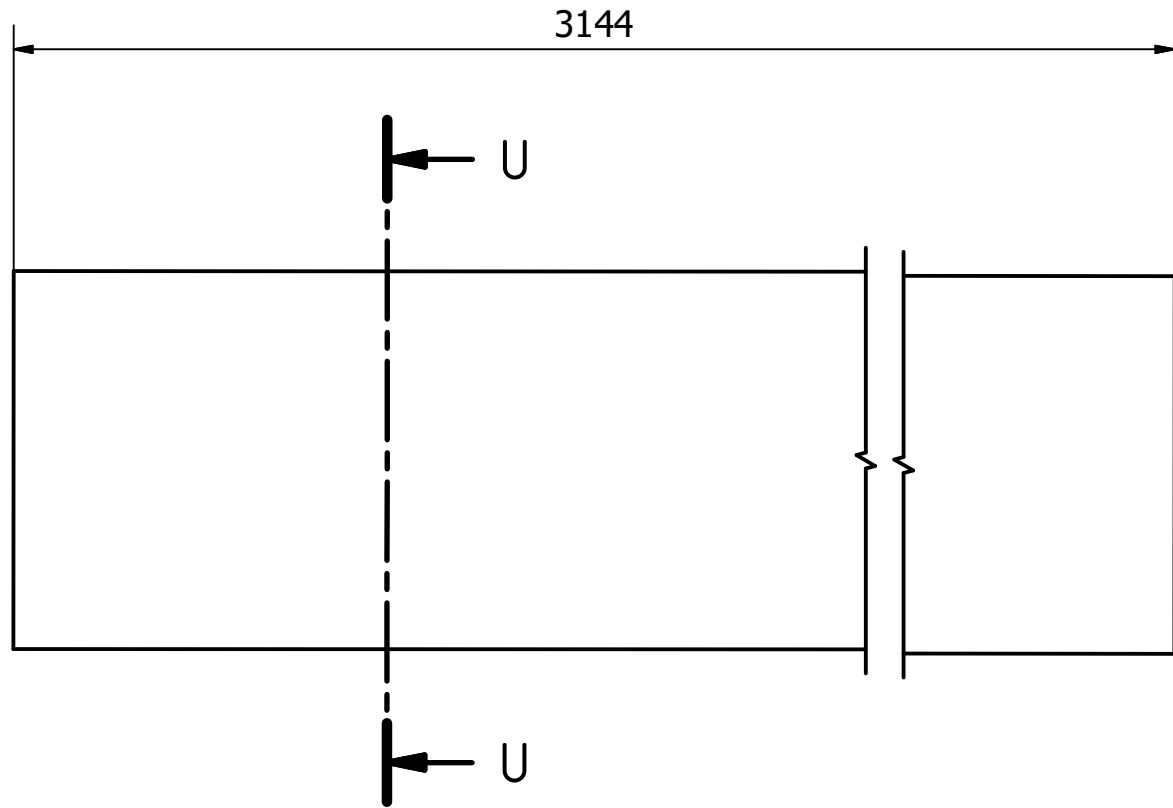





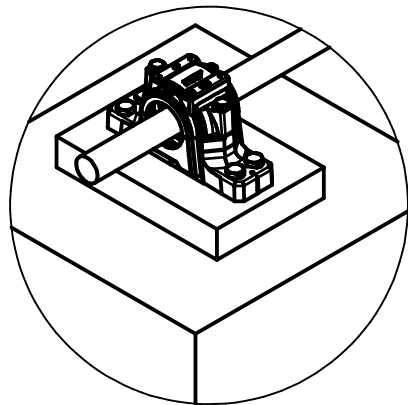
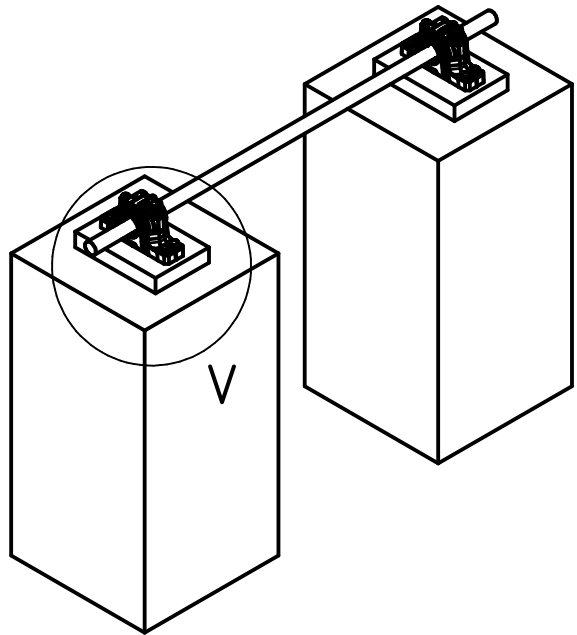
PROJECT	CREATED BY	APPROVED BY	DATE	VERSION
Water wheel diameter 2m	J. ROSCIANO	A. MORILLO	01/12/2021	1.0
PART NAME	FILE NAME			POS
Leg support	Leg support.ipt			2.8
DEVELOPED BY	REDESIGNED BY	DOC. TYPE	MATERIAL	QUANTITY
Henry Walker - Youtube	 OPEN SOURCE ECOLOGY GERMANY	OHO e.V. Part	Hardwood	6
		LICENCE	SCALE	SHEET
		CC-BY-SA 4.0		25 /31



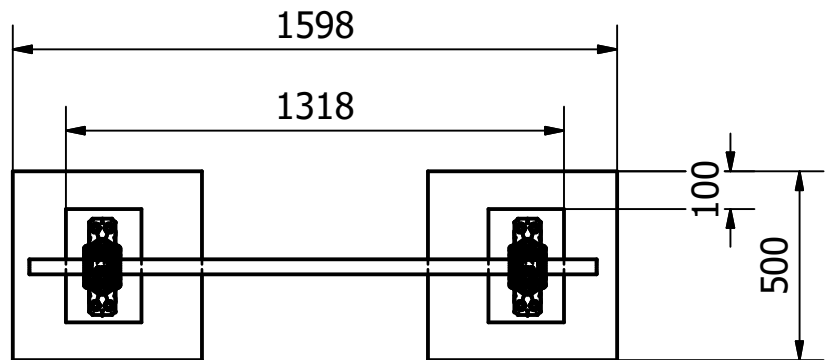
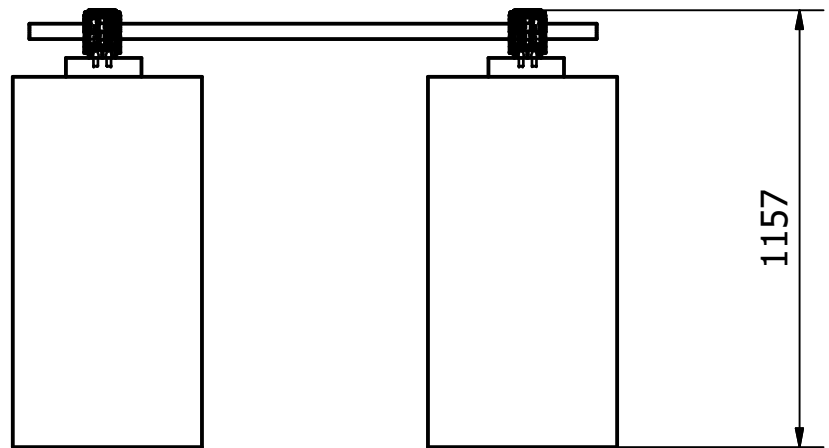
U-U ( 1 : 2 )



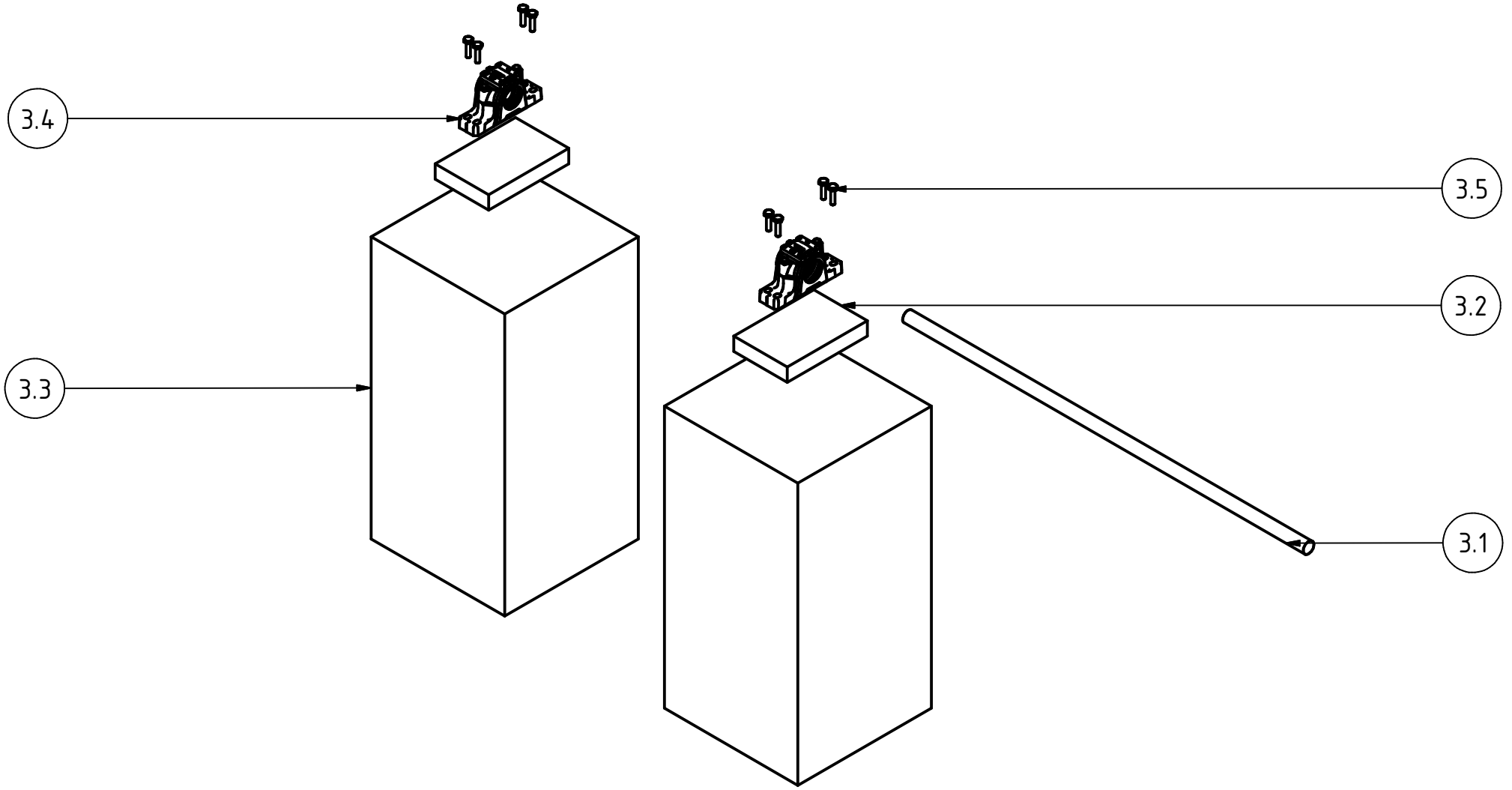
PROJECT	CREATED BY	APPROVED BY	DATE	VERSION
Water wheel diameter 2m	J. ROSCIANO	A. MORILLO	01/12/2021	1.0
PART NAME	FILE NAME			POS
Cross support	Cross support.ipt			2.9
DEVELOPED BY	REDESIGNED BY	DOC. TYPE	MATERIAL	QUANTITY
Henry Walker - Youtube	 OPEN SOURCE ECOLOGY GERMANY	OHO e.V. Part	Hardwood	4
		LICENCE	SCALE	SHEET
		CC-BY-SA 4.0		26 /31




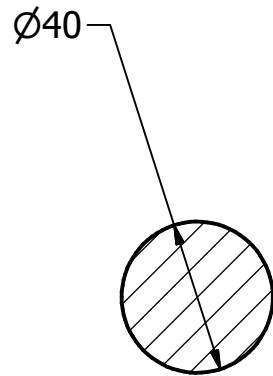
V ( 1 : 10 )



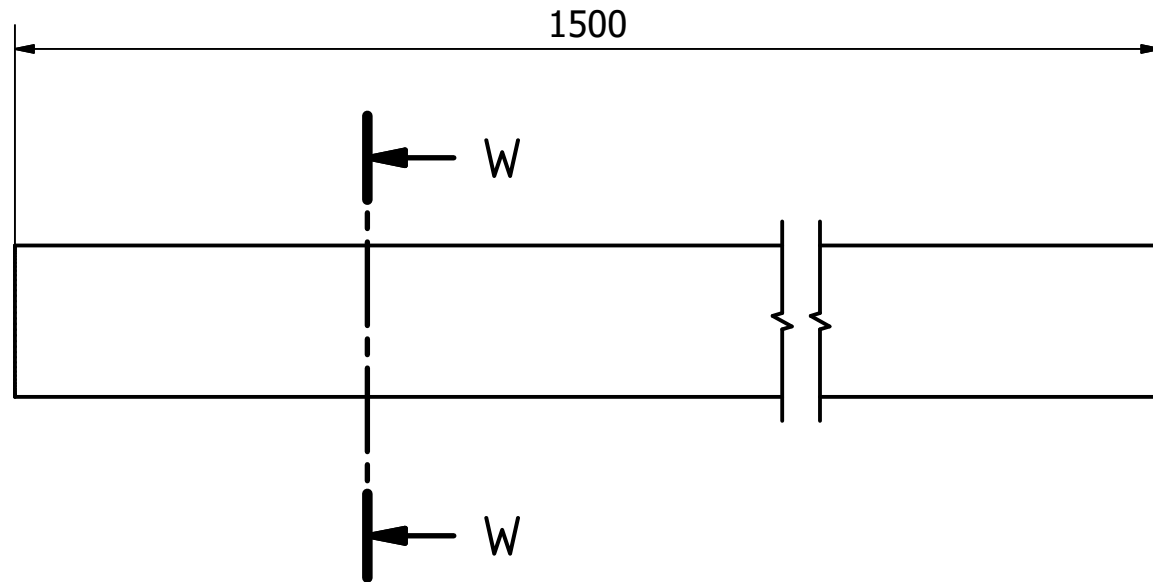
PROJECT	CREATED BY	APPROVED BY	DATE	VERSION
Water wheel diameter 2m	J. ROSCIANO	A. MORILLO	01/12/2021	1.0
PART NAME	FILE NAME			POS
Mechanism assembly	Mechanism assembly.iam			3.0
DEVELOPED BY	REDESIGNED BY	DOC. TYPE	MATERIAL	QUANTITY
Henry Walker - Youtube	 OPEN SOURCE ECOLOGY GERMANY	OHO e.V. Assembly		1
		LICENCE	SCALE	SHEET
		CC-BY-SA 4.0		27 /31




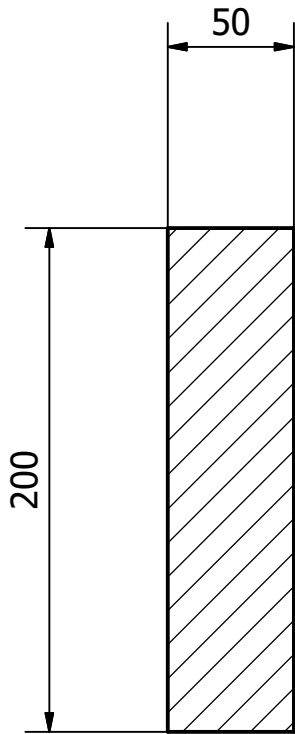
PROJECT		CREATED BY		APPROVED BY		DATE		VERSION	
Water wheel diameter 2m		J. ROSCIANO		A. MORILLO		01/12/2021		1.0	
PART NAME			FILE NAME					POS	
Mechanism assembly			Mechanism assembly.iam					3.0	
DEVELOPED BY		REDESIGNED BY		DOC. TYPE		MATERIAL		QUANTITY	
Henry Walker - Youtube		 OPEN SOURCE ECOLOGY GERMANY		Assembly				1	
				LICENCE		SCALE		SHEET	
				CC-BY-SA 4.0				28 /31	



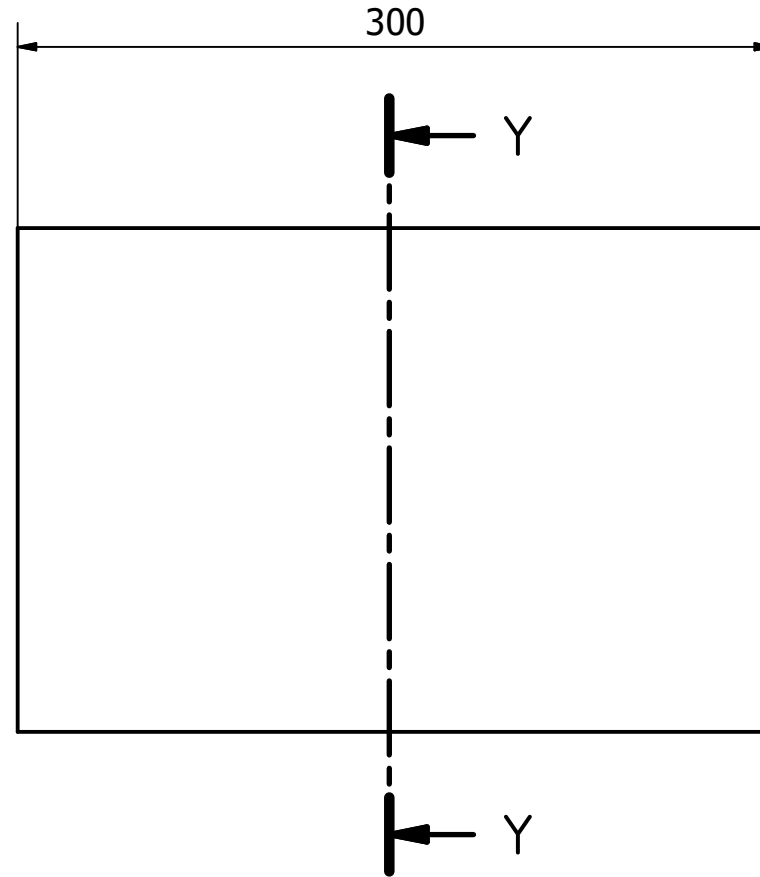
W-W ( 1 : 2 )




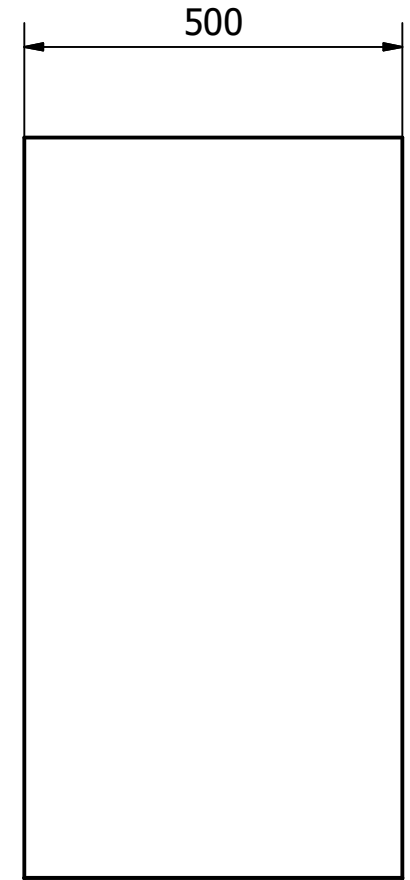
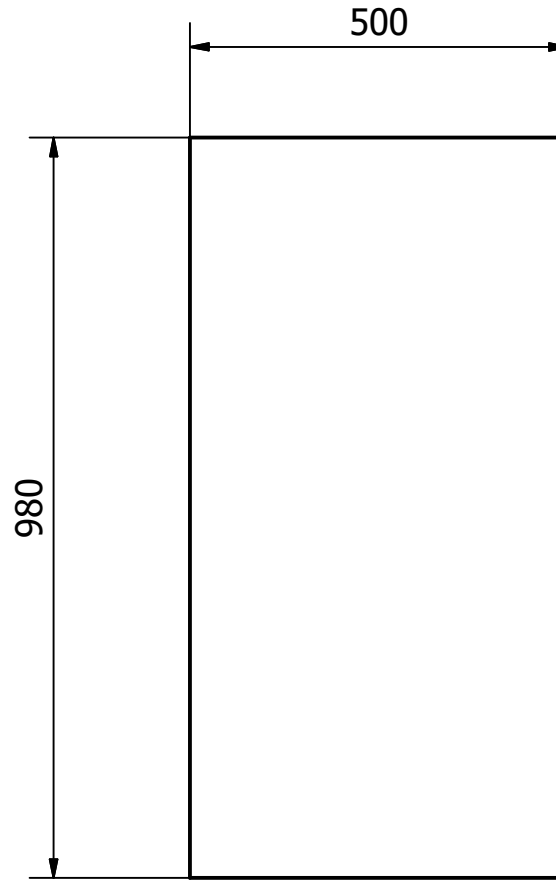
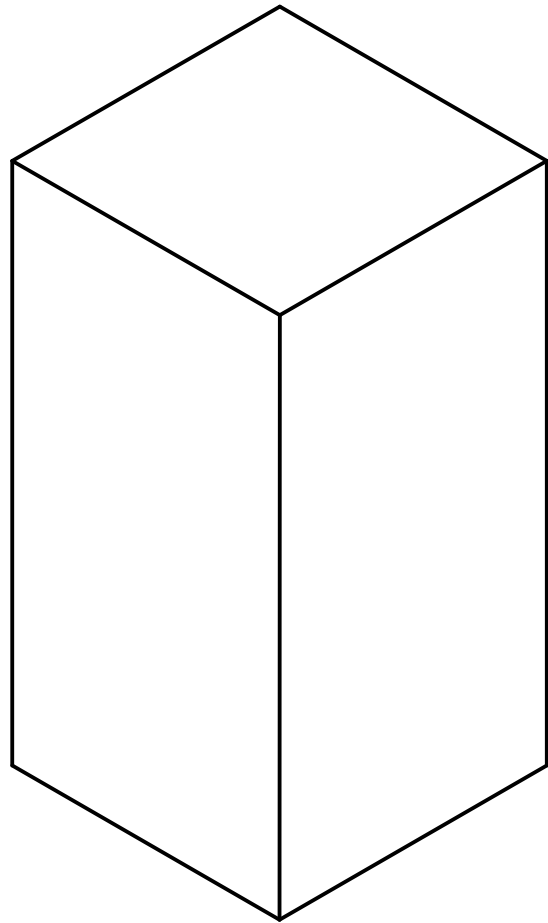
PROJECT	CREATED BY	APPROVED BY	DATE	VERSION
Water wheel diameter 2m	J. ROSCIANO	A. MORILLO	01/12/2021	1.0
PART NAME	FILE NAME			POS
Shaft	Shaft.ipt			3.1
DEVELOPED BY	REDESIGNED BY	DOC. TYPE	MATERIAL	QUANTITY
	 OPEN SOURCE ECOLOGY GERMANY	OHO e.V. Part	Steel A36.	1
Henry Walker - Youtube		LICENCE	SCALE	SHEET
		CC-BY-SA 4.0		29 /31




Y-Y ( 1 : 3 )



PROJECT	CREATED BY	APPROVED BY	DATE	VERSION
Water wheel diameter 2m	J. ROSCIANO	A. MORILLO	01/12/2021	1.0
PART NAME	FILE NAME			POS
Bearing base	Bearing base.ipt			3.2
DEVELOPED BY	REDESIGNED BY	DOC. TYPE	MATERIAL	QUANTITY
Henry Walker - Youtube	 OPEN SOURCE ECOLOGY GERMANY	OHO e.V. Part	Hardwood	2
		LICENCE	SCALE	SHEET
		CC-BY-SA 4.0		30 /31



PROJECT	CREATED BY	APPROVED BY	DATE	VERSION
Water wheel diameter 2m	J. ROSCIANO	A. MORILLO	01/12/2021	1.0
PART NAME	FILE NAME			POS
Foundation	Foundation.ipt			3.3
DEVELOPED BY	REDESIGNED BY	DOC. TYPE	MATERIAL	QUANTITY
Henry Walker - Youtube	 OPEN SOURCE ECOLOGY GERMANY	Part	Concrete	2
		LICENCE	SCALE	SHEET
		OHO e.V. CC-BY-SA 4.0		31 /31