
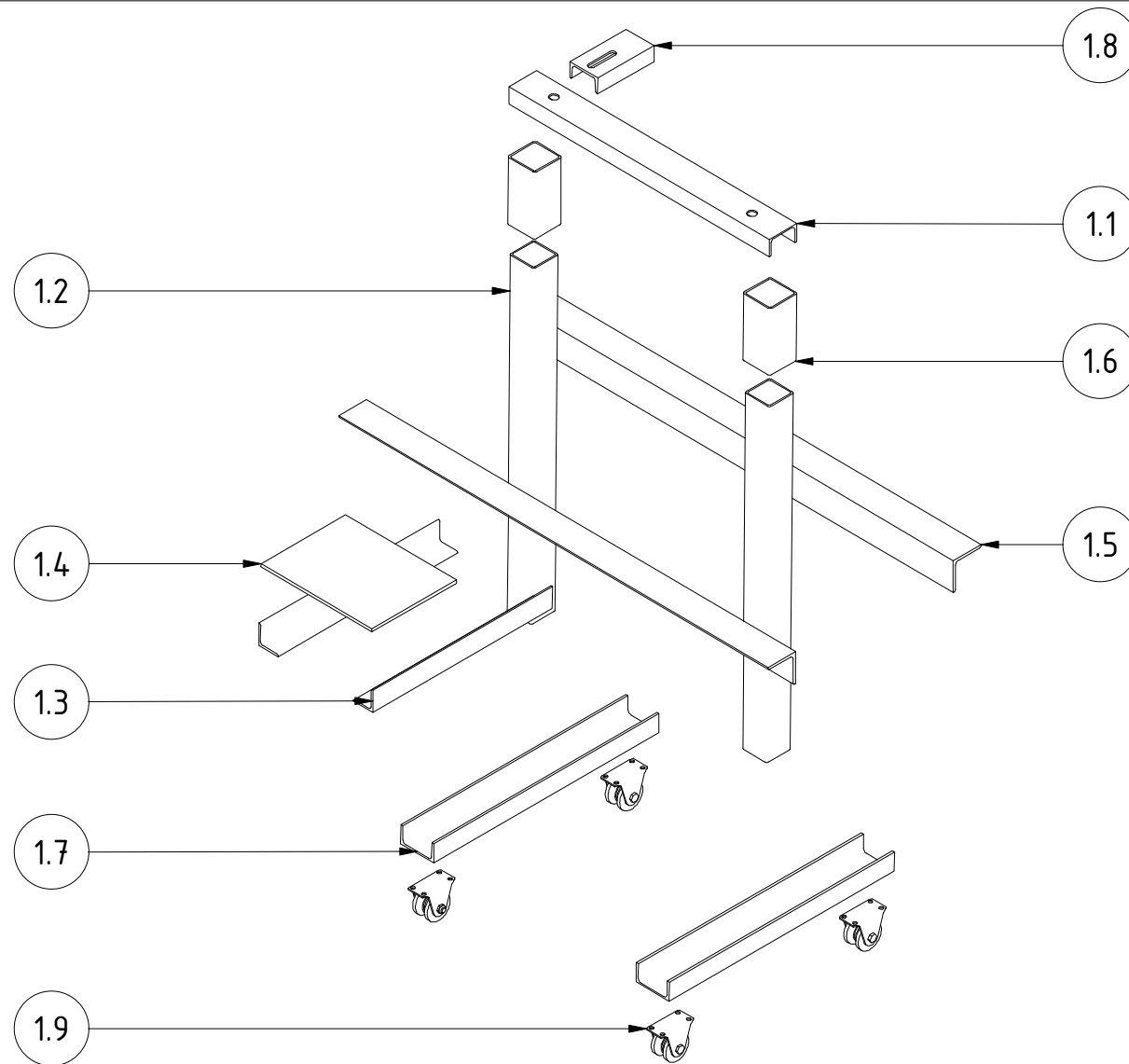



Note: All units in mm.

PROJECT	CREATED BY	APPROVED BY	DATE	VERSION
Bandsaw mill	J. Rosciano	A. Morillo	11/09/2021	1.1
PART NAME	FILE NAME			POS
Carriage assembly	Carriage assembly.iam			1.1
PUBLISHED BY	DOC. TYPE	MATERIAL		QUANTITY
 <b>OPEN HARDWARE OBSERVATORY</b> Free Blueprints for Sustainable Development	Part			1
	LICENCE	SCALE		SHEET
OHO e.V.	CC-BY-SA 4.0	1/23		8 /71



PROJECT	CREATED BY	APPROVED BY	DATE	VERSION
Bandsaw mill	J. Rosciano	A. Morillo	11/09/2021	1.1
PART NAME	FILE NAME			POS
Carriage assembly	Carriage assembly.ipn			1.0
PUBLISHED BY	DOC. TYPE	MATERIAL	QUANTITY	
 <b>OPEN HARDWARE OBSERVATORY</b> Free Blueprints for Sustainable Development	Assembly		1	
	LICENCE	SCALE	SHEET	
OHO e.V.	CC-BY-SA 4.0	1/18	9 /71	