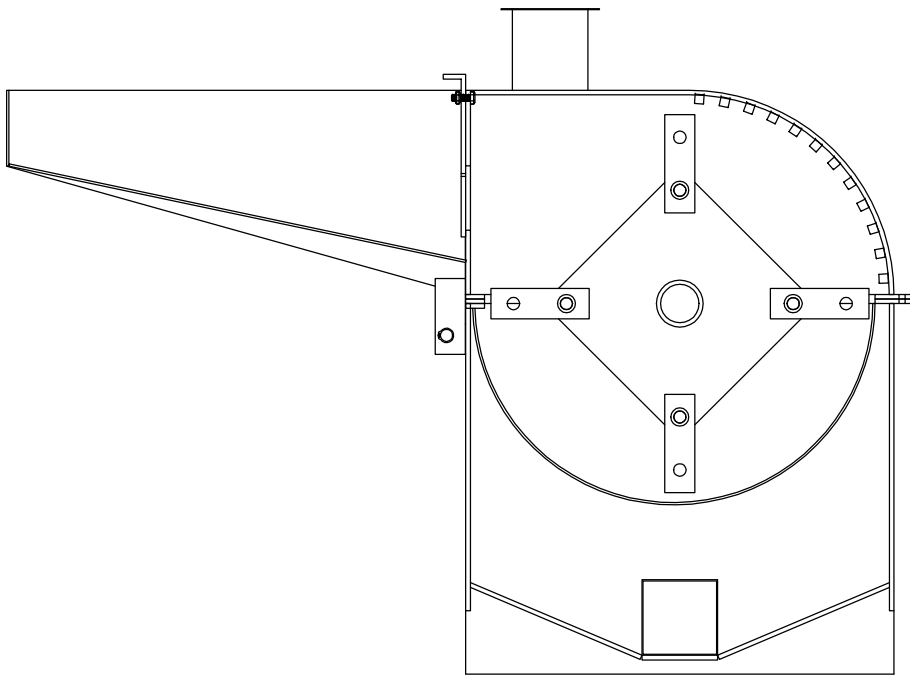
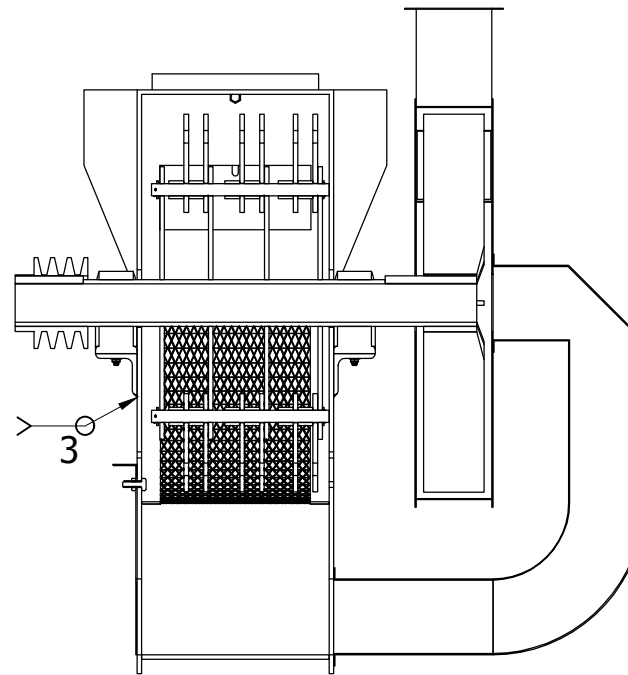


Note: All units in mm.

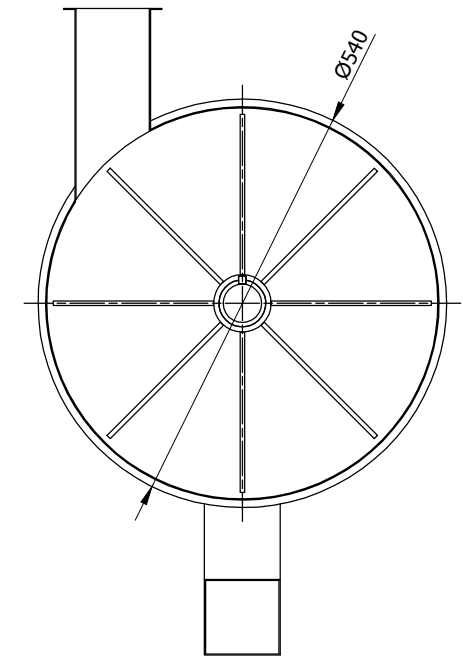
PROJECT	CREATED BY	APPROVED BY	DATE	VERSION
Hammer Mill for corn processing	E. Araujo	A. Morillo	09/08/2021	1.0
PART NAME	FILE NAME	POS		
3d views	oho_hm_hammer-mill-for-corn-processing.dwg	A1		
DEVELOPED BY	REDESIGNED BY	DOC. TYPE	MATERIAL	QUANTITY
Apt Abatec	OHO e.V.	Assembly		1
		LICENCE	SCALE	SHEET
		CC-BY-SA 4.0		1/42



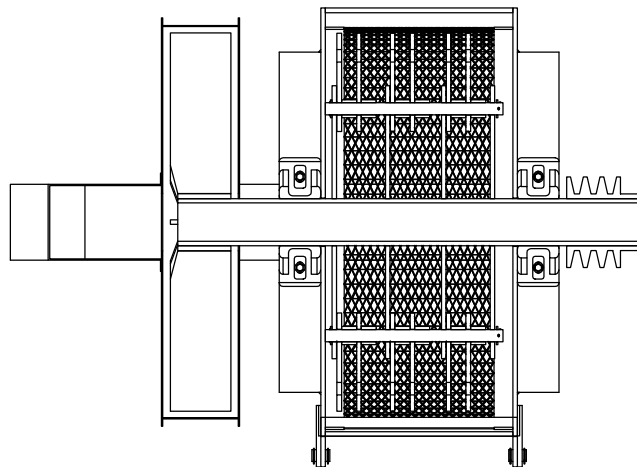
Corte B-B'



Corte A-A'

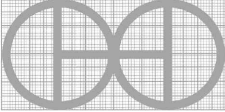


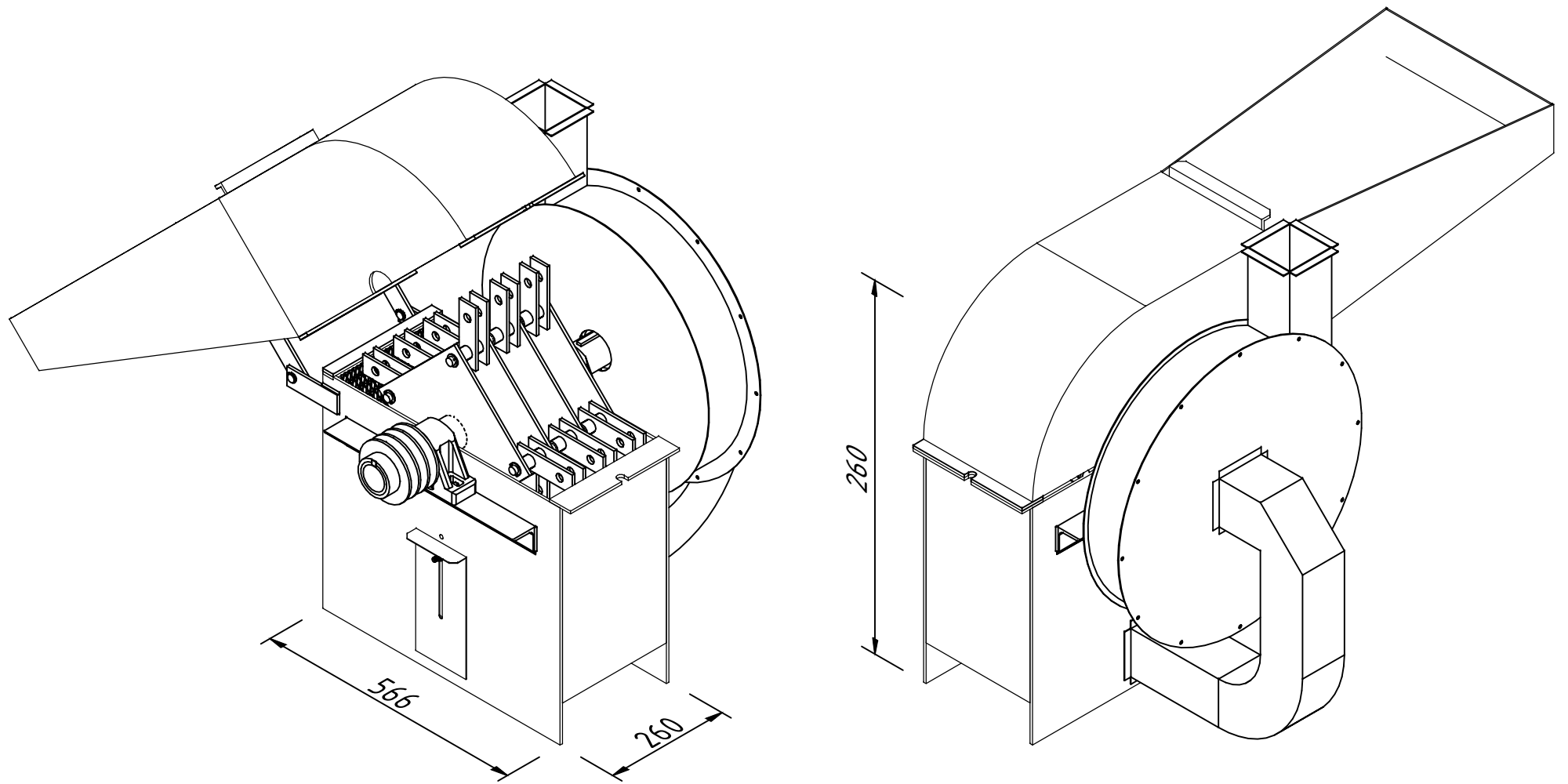
Corte C-C'



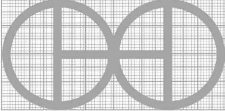
Corte D-D'

Note: All units in mm.

PROJECT	CREATED BY	APPROVED BY	DATE	VERSION
Hammer Mill for corn processing	E. Araujo	A. Morillo	09/08/2021	1.0
PART NAME	FILE NAME			POS
3d views	oho_hm_hammer-mill-for-corn-processing.dwg			A1
DEVELOPED BY	REDESIGNED BY	DOC. TYPE	MATERIAL	QUANTITY
		Assembly		1
Apt Abatec	OHO e.V.	LICENCE	SCALE	SHEET
		CC-BY-SA 4.0		2/42



Note: All units in mm.

PROJECT	CREATED BY	APPROVED BY	DATE	VERSION
Hammer Mill for corn processing	E. Araujo	A. Morillo	09/08/2021	1.0
PART NAME	FILE NAME	POS		
3d views	oho_hm_hammer-mill-for-corn-processing.dwg	A1		
DEVELOPED BY	REDESIGNED BY	DOC. TYPE	MATERIAL	QUANTITY
Apt Abatec	 OHO e.V.	Assembly		1
		LICENCE	SCALE	SHEET
		CC-BY-SA 4.0		3/42