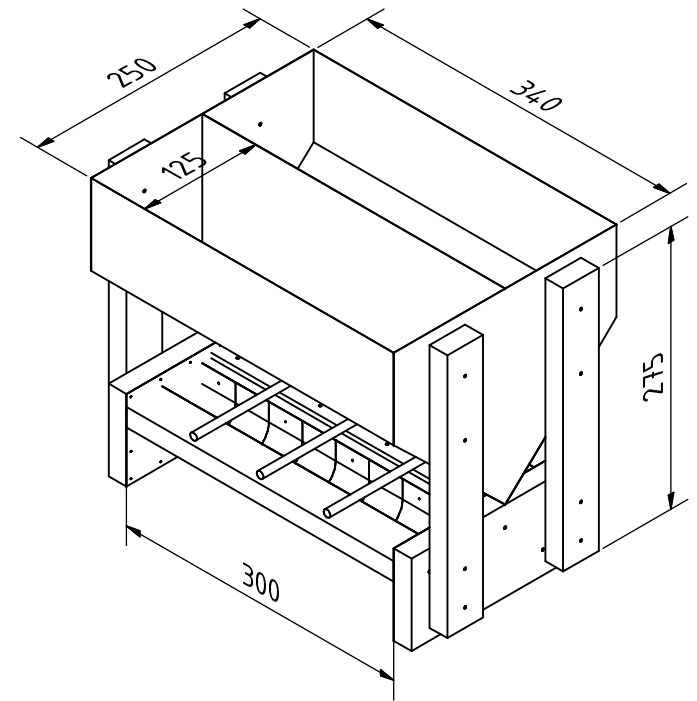
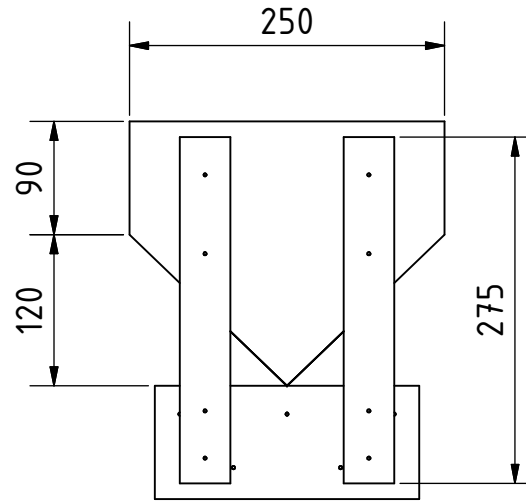
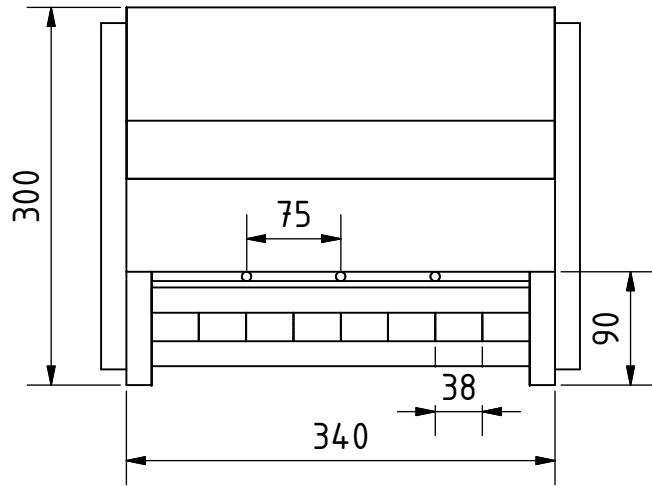
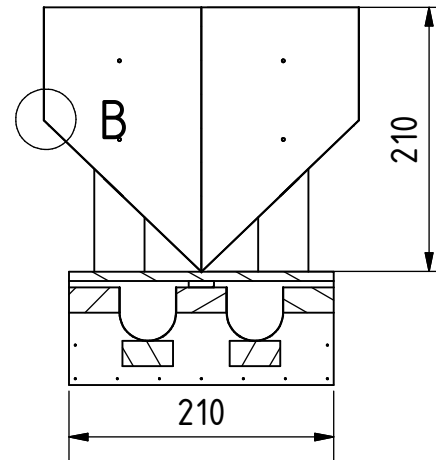


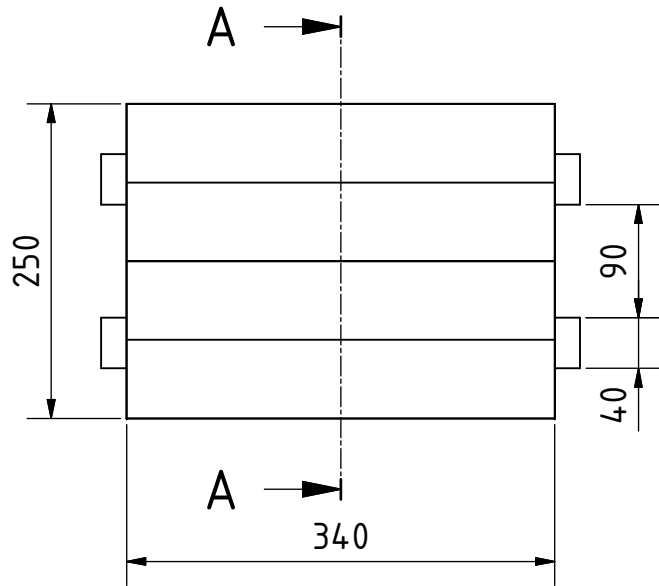
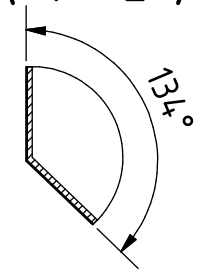
# ELEVATION ( 1 : 6 )



# A-A ( 1 : 6 )



# B ( 1 : 2 )



Note: All units in mm.

PROJECT	CREATED BY	APPROVED BY	DATE	VERSION
Hay Manger	J. Zeron	A. Morillo	31/07/2021	1.0
PART NAME	FILE NAME			POS
3d views	cvm_hm_hay-manger.iam			A1
DEVELOPED BY	REDESIGNED BY	DOC. TYPE	MATERIAL	QUANTITY
Christian Veterinary Mission	OHO e.V.	Assembly		1
		LICENCE	SCALE	SHEET
		CC-BY-SA 4.0	1:6	1 /14