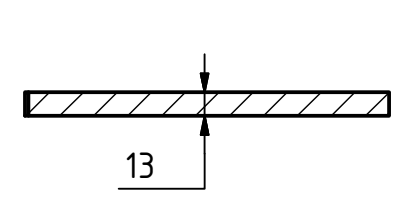
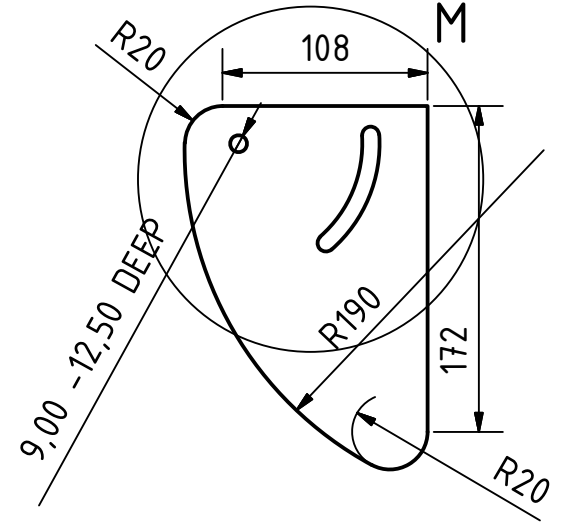
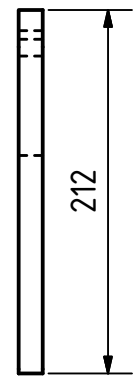
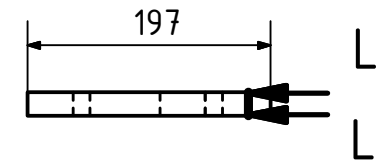


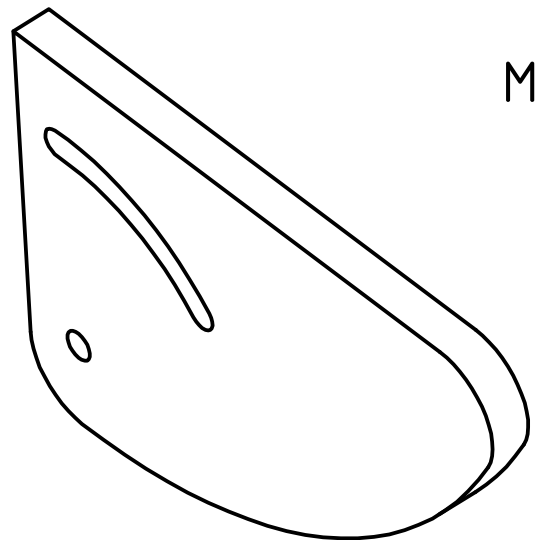
M (1 : 2)



L-L (1 : 4)

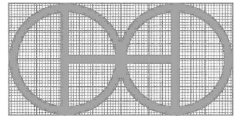


SCALE (1 : 4)



SCALE (1 : 2)

Note: All units in mm.

| | | | | |
|------------------|---|--------------|------------|----------|
| PROJECT | CREATED BY | APPROVED BY | DATE | VERSION |
| Ox-drawn Plough | L. Ruda | A. Morillo | 09/09/2021 | 1.0 |
| PART NAME | FILE NAME | | | POS |
| rudder 203x127x5 | rudder 203x127x5.ipt | | | 6.0 |
| DEVELOPED BY | REDESIGNED BY | DOC. TYPE | MATERIAL | QUANTITY |
| |  | Part | Steel A36 | 1 |
| Practical Action | OHO e.V. | LICENCE | SCALE | SHEET |
| | | CC-BY-SA 4.0 | 1:4 | 26 /26 |