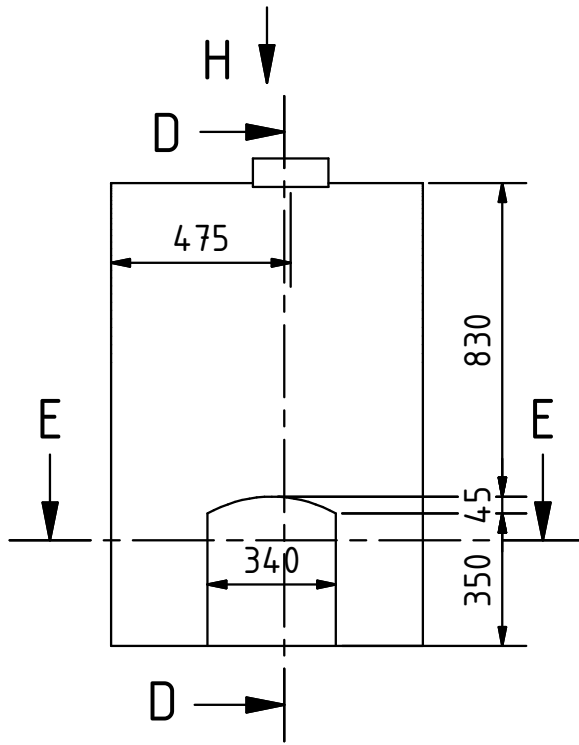
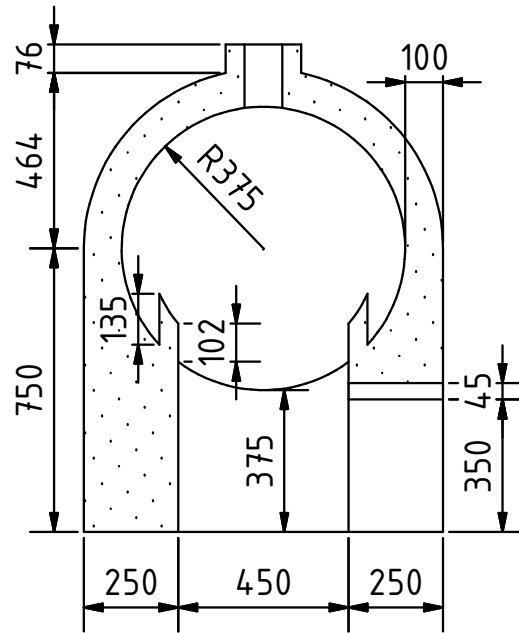


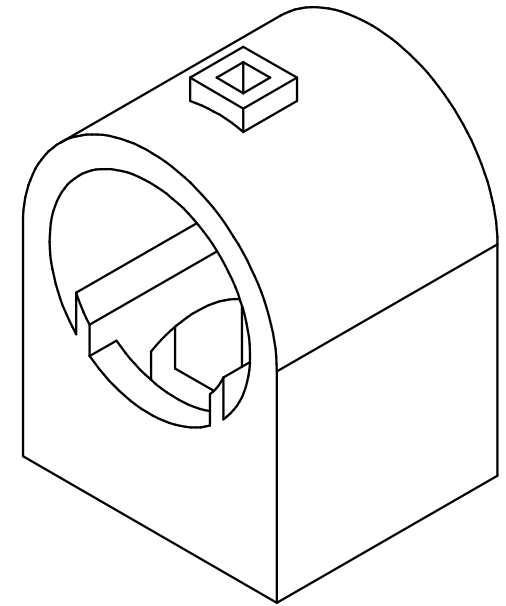
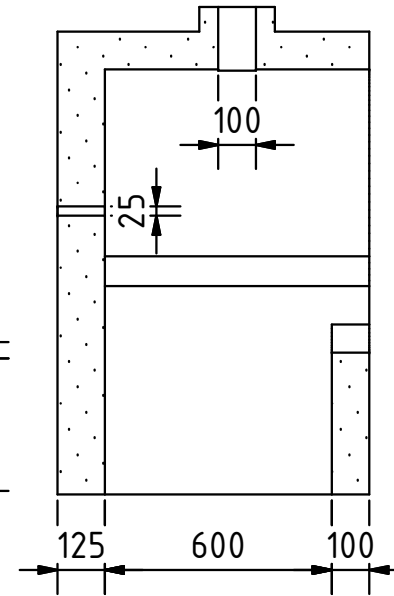
ELEVATION (1 : 20)



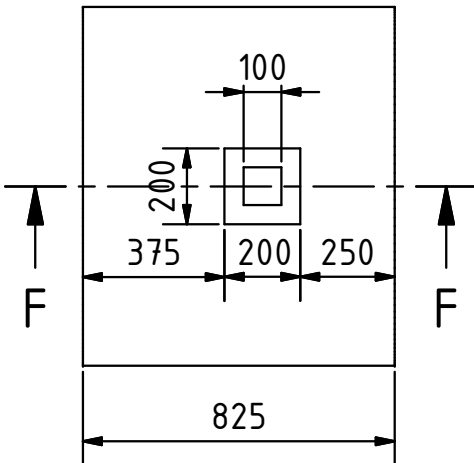
D-D (1 : 20)



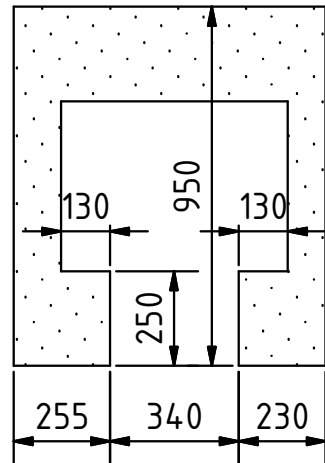
F-F (1 : 20)



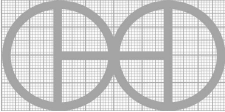
H (1 : 20)



E-E (1 : 20)



Note: All units in mm.

PROJECT	CREATED BY	APPROVED BY	DATE	VERSION
Peanut roaster	J. Zeron	A. Morillo	24/06/2021	1.0
PART NAME	FILE NAME	POS		
Brick klin	Brick klin.ipt	2		
DEVELOPED BY	REDESIGNED BY	DOC. TYPE	MATERIAL	QUANTITY
		Part	Bricks and clay	1
Practical Action	OHO e.V.	LICENCE	SCALE	SHEET
		CC-BY-SA 4.0	1:20	5 / 15