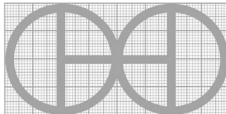
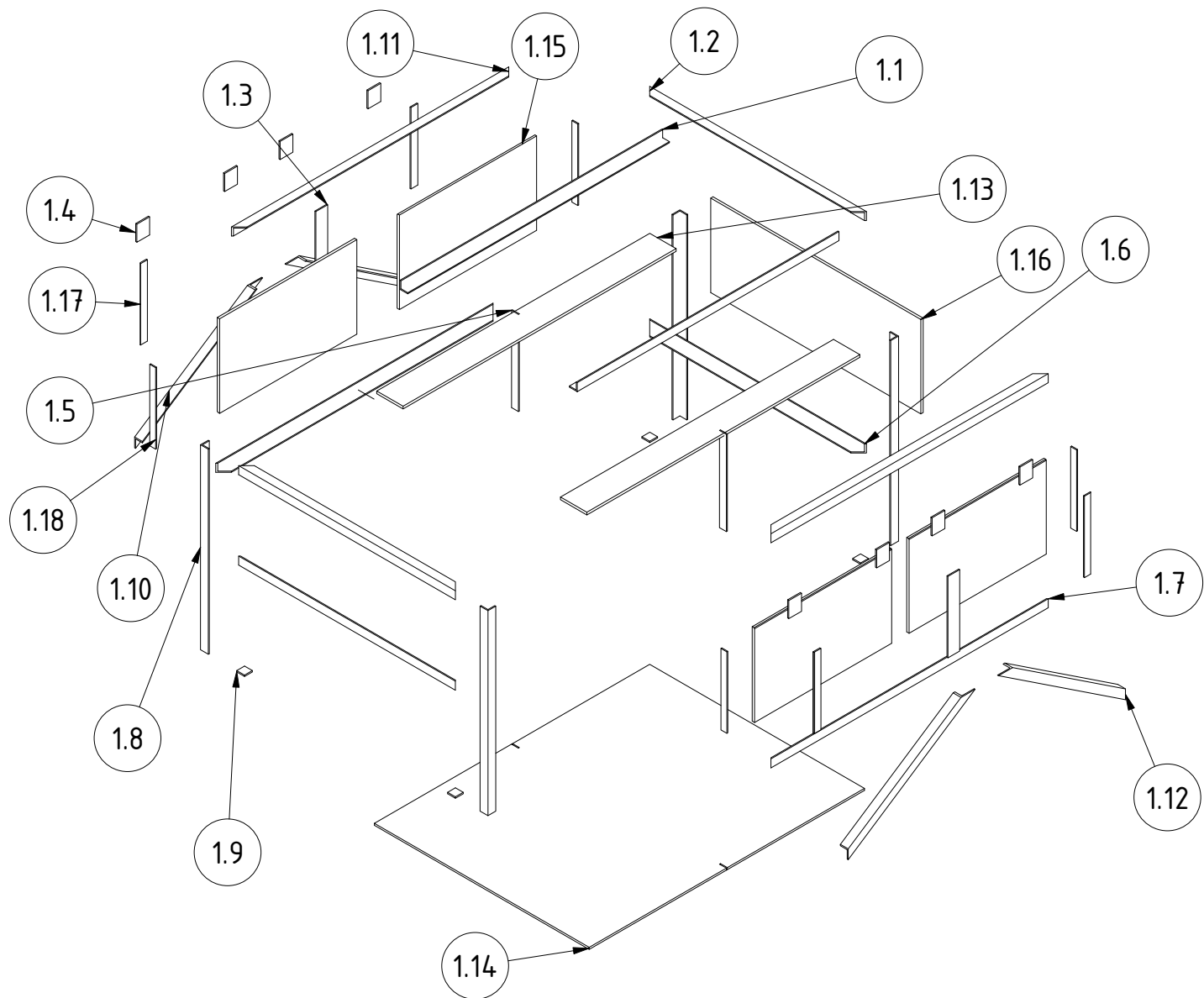
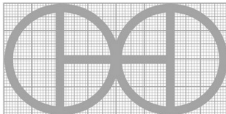


Note: All units are in millimeters

PROJECT	CREATED BY	APPROVED BY	DATE	VERSION
Semi-continuous tray dryer	J. Rosciano	A. Morillo	18/06/2021	1.2
PART NAME	FILE NAME			POS
Base frame	1.0_Base_Frame.iam			1.0
DEVELOPED BY	REDESIGNED BY	DOC. TYPE	MATERIAL	QUANTITY
		ASSEMBLY		1
		LICENCE	SCALE	SHEET
Practical Action	OHO e.V.	CC-BY-SA 4.0	1/25	9 /97



PROJECT	CREATED BY	APPROVED BY	DATE	VERSION
Semi-continuous tray dryer	J. Rosciano	A. Morillo	18/06/2021	1.2
PART NAME	FILE NAME			POS
Base frame	1.0_Base_Frame.ipn			1.0
DEVELOPED BY	REDESIGNED BY	DOC. TYPE	MATERIAL	QUANTITY
		ASSEMBLY		1
Practical Action	OHO e.V.	LICENCE	SCALE	SHEET
		CC-BY-SA 4.0	1/25	10 /97