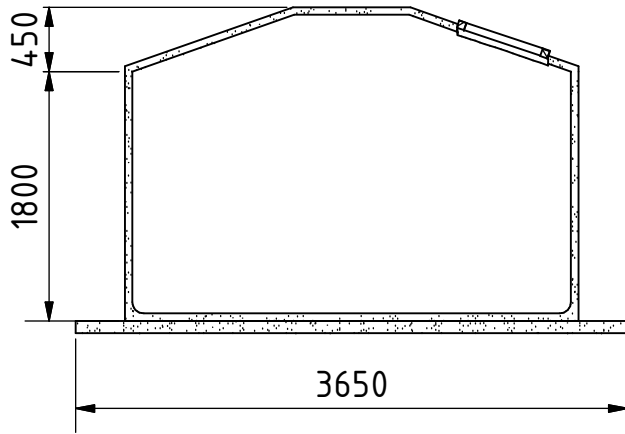
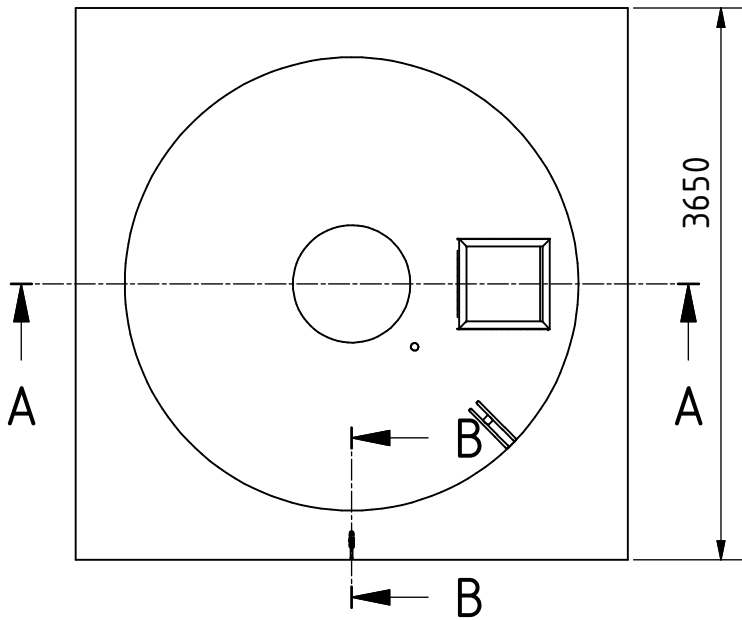
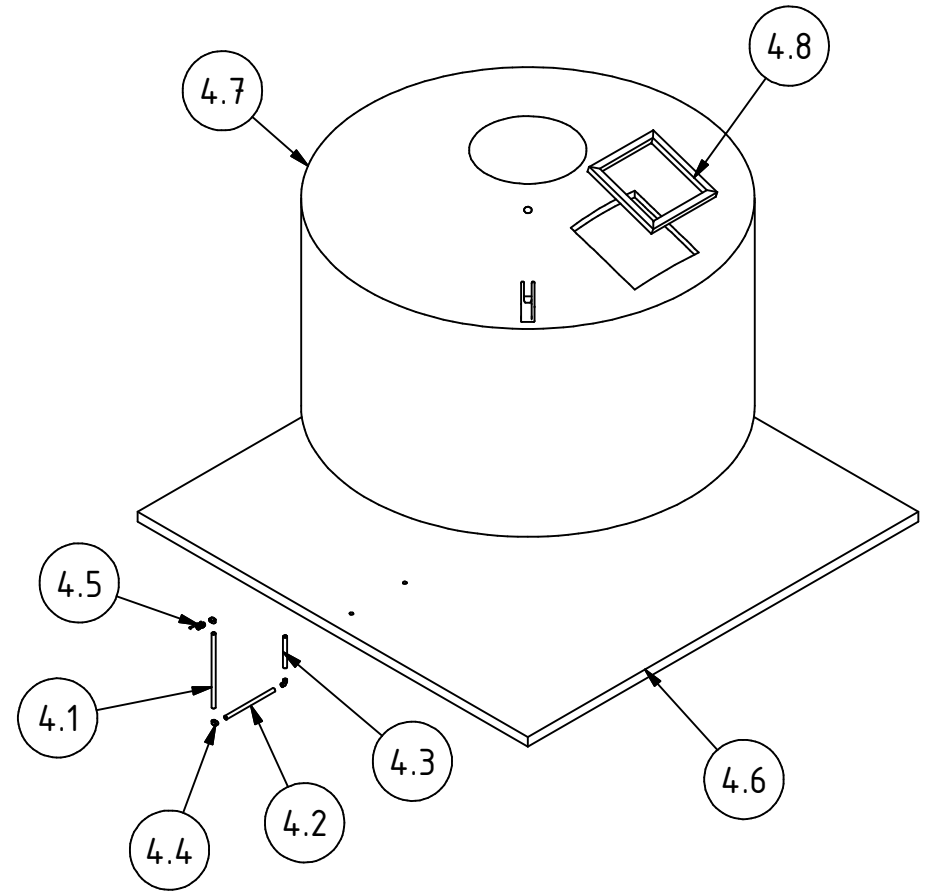
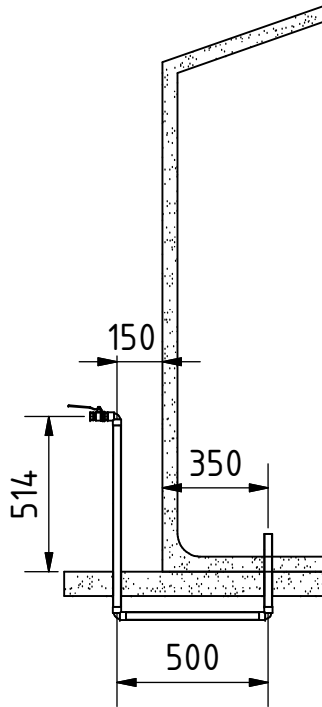


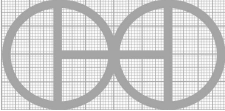
A-A



B-B (1 : 25)



Note: All units in mm.

PROJECT	CREATED BY	APPROVED BY	DATE	VERSION
Ferrocement Tank - 3500 gallons	J. Zeron	A. Morillo	02/09/2021	1.0
PART NAME	FILE NAME			POS
Tank	Tank.ipn			4.0
DEVELOPED BY	REDESIGNED BY	DOC. TYPE	MATERIAL	QUANTITY
Chistian Action for Development in the Caribbean	 OHO e.V.	Assembly		1
		LICENCE	SCALE	SHEET
		CC-BY-SA 4.0	1:50	24 /27