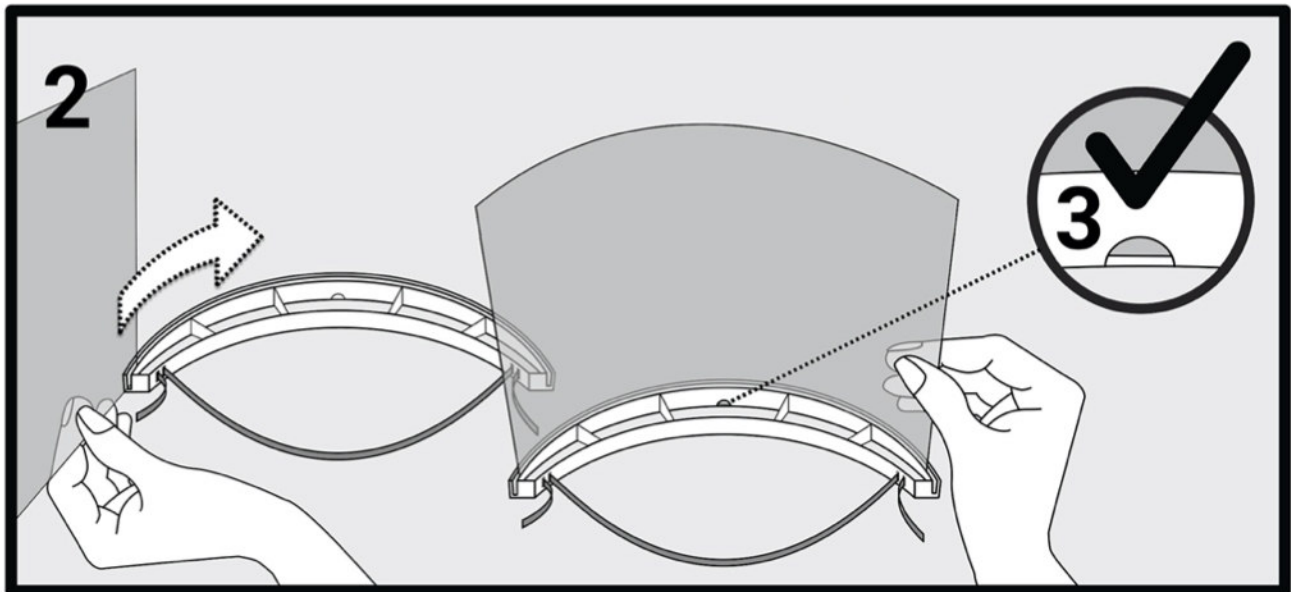
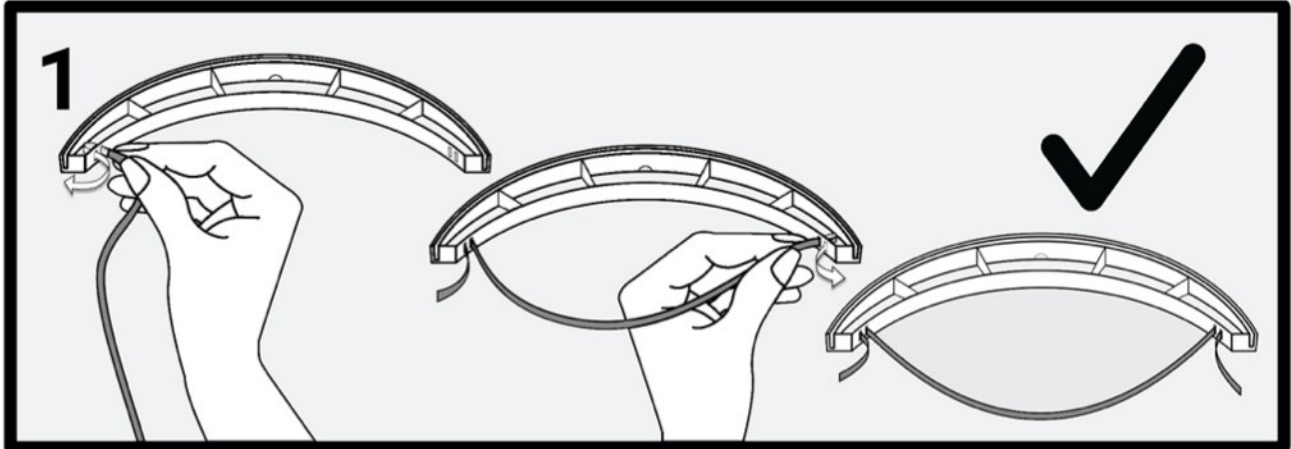


Face Shield Assembly Instructions

1. Weave strap through face shield as shown.
2. Insert mylar into groove and pull through.
3. Check window and ensure mylar is visible.



Face Shield - Sanitizing Instructions

1. You'll need: Nitrile or vinyl gloves, Personal Protective Equipment (PPE), a container and bleach with 6.25% sodium hypochlorite.
2. Make a bleach solution: Pour 100ml of bleach with 900ml of warm water into a container.
3. Disinfect face shield by submerging in the warm bleach solution for 1 minute.
4. After 1 minute, rinse thoroughly with fresh warm water.
5. Hang face shield to dry in non-contaminated area.