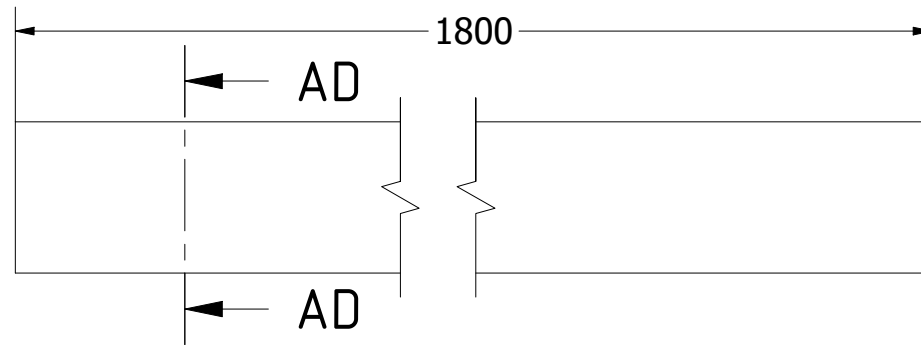
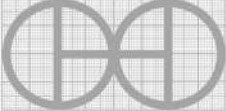


AD-AD (1 : 1)



Note: All units in mm.

PROJECT	CREATED BY	APPROVED BY	DATE	VERSION
The donkey cart ambulance	J. Rosciano	A. Morillo	29/07/2021	1.1
PART NAME	FILE NAME			POS
Wood support	4.9_Wood support.ipt			4.9
DEVELOPED BY	REDESIGNED BY	DOC. TYPE	MATERIAL	QUANTITY
		Part	ASTM A36	2
		LICENCE	SCALE	SHEET
Practical Action	OHO e.V.	CC-BY-SA 4.0	1/1	34 /37