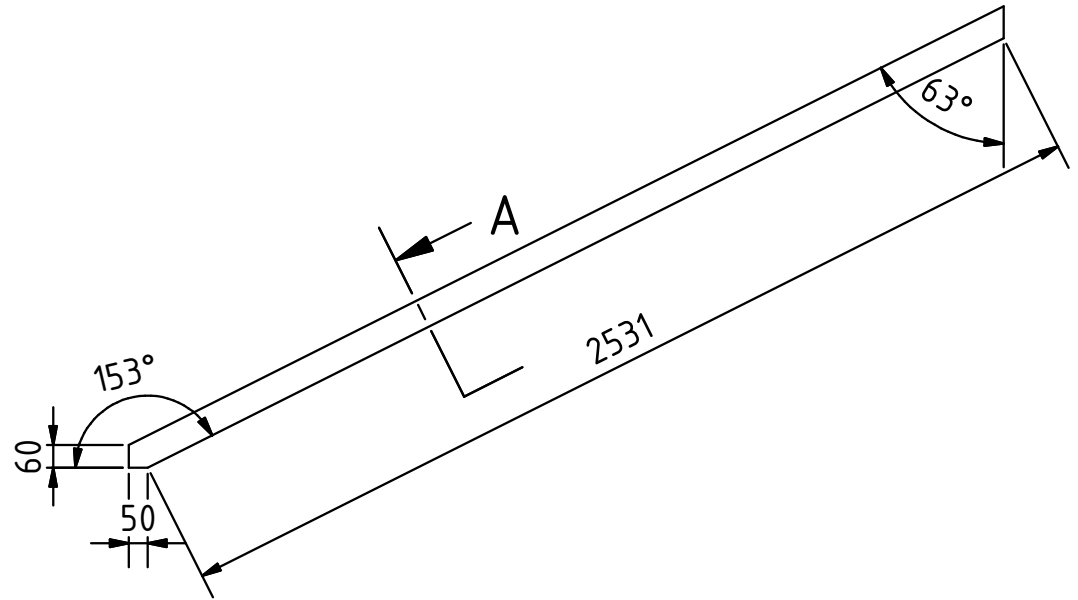
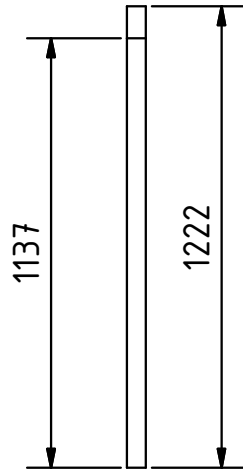
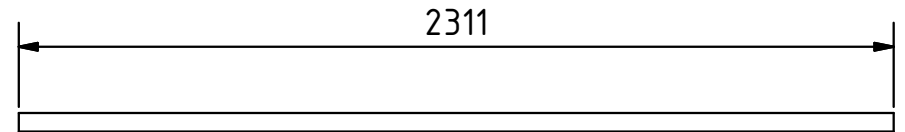
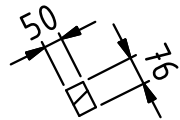


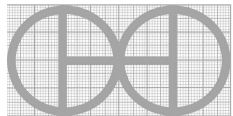
ELEVATION (1 : 20)



A-A (1 : 20)



Note: all units are in mm

PROJECT	CREATED BY	APPROVED BY	DATE	VERSION
STATIONARY SOLAR FISH DRIER	J. Zeron	A. Morillo	09-06-2021	1.0
PART NAME	FILE NAME			PART CODE
Tight	Tight.ipt			3.6
DEVELOPED BY	REDESIGNED BY	DOC. TYPE	MATERIAL	QUANTITY
		PART	Klin Dried Pine	12
PRACTICAL ACTION	OHO e.V.	LICENCE	SCALE	SHEET
		CC-BY-SA 4.0	1:20	34 /37