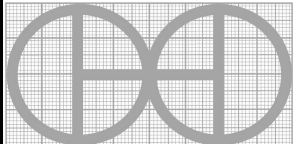
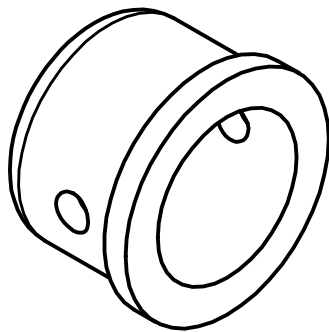
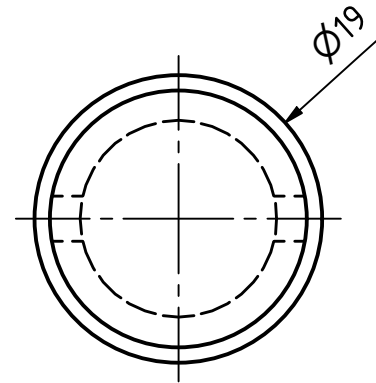
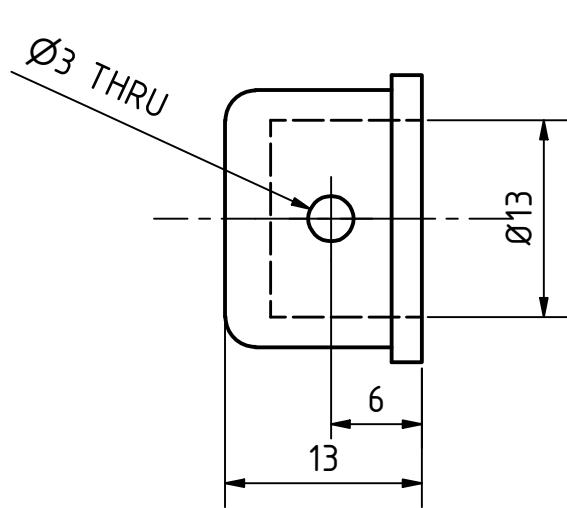
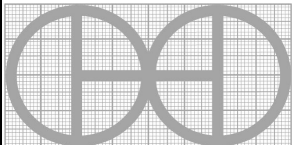


|                          |   |              |            |          |
|--------------------------|---|--------------|------------|----------|
| PROJECT                  | CREATED BY  | APPROVED BY  | DATE       | VERSION  |
| Horizontal shaft turbine | D. MOSQUERA   | A. MORILLO   | 15/11/2021 | 1.0      |
| PART NAME                | FILE NAME   |              |            | POS      |
| Washers rubber           | ygh_hts_washers-rubber  |              |            | 3.6      |
| DEVELOPED BY             | REDESIGNED BY   | DOC. TYPE    | MATERIAL   | QUANTITY |
| Original developer       |  | Part         | Rubber     | 2        |
|                          |   | LICENCE      | SCALE      | SHEET    |
|                          |   | CC-BY-SA 4.0 | 2:1        | 22 /28   |

OHO e.V.



|                          |   |              |            |          |
|--------------------------|---|--------------|------------|----------|
| PROJECT                  | CREATED BY  | APPROVED BY  | DATE       | VERSION  |
| Horizontal shaft turbine | D. MOSQUERA   | A. MORILLO   | 15/11/2021 | 1.0      |
| PART NAME                | FILE NAME   |              |            | POS      |
| Pipe plug superior       | ygh_hts_pipe-plug-superior.ipt  |              |            | 3.6      |
| DEVELOPED BY             | REDESIGNED BY   | DOC. TYPE    | MATERIAL   | QUANTITY |
| Original developer       |  | Part         | PVC        | 1        |
|                          |   | LICENCE      | SCALE      | SHEET    |
|                          |   | CC-BY-SA 4.0 | 2:1        | 23 /28   |

OHO e.V.