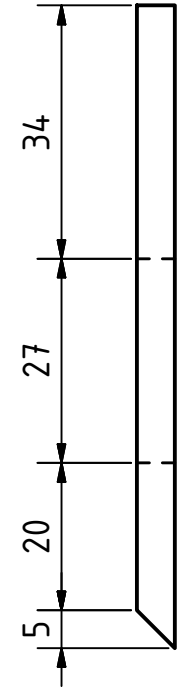
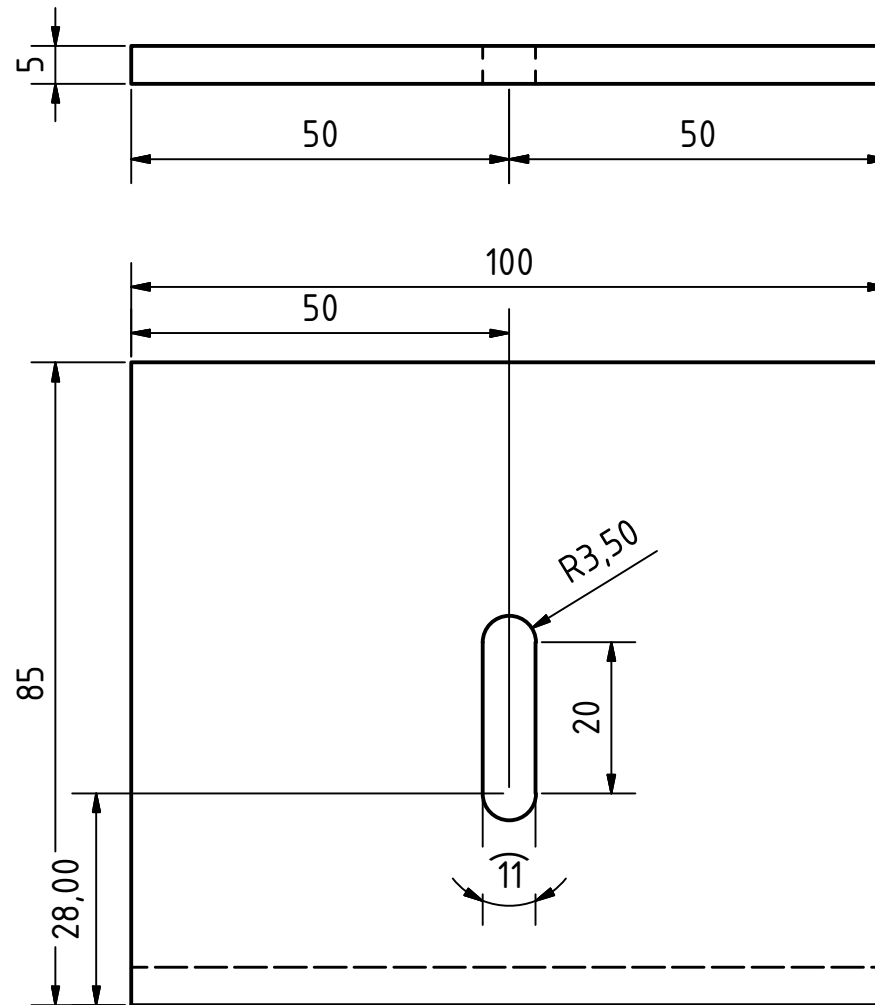


SCALE (1 : 2)



SCALE (1 : 1)

Note: All units in mm.

PROJECT Peeling Machine for Sunflower Seeds		CREATED BY L. Ruda	APPROVED BY A. Morillo	DATE 16/09/2021	VERSION 1.0
PART NAME Shutter		FILE NAME Shutter.ipt			POS 3.2.2
DEVELOPED BY	REDESIGNED BY		DOC. TYPE Part	MATERIAL Kiln dried wood	QUANTITY 1
Tropical Products Institute		OHO e.V.	LICENCE CC-BY-SA 4.0	SCALE 1:1	SHEET 50 /71

