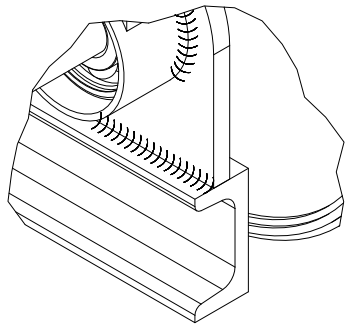
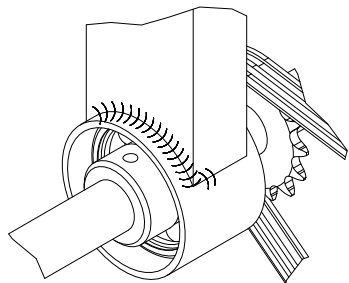


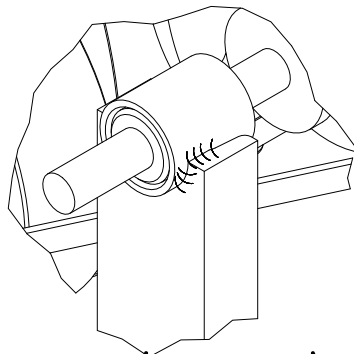
Note: All units in mm.



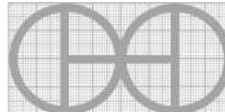
AE (1 : 2)

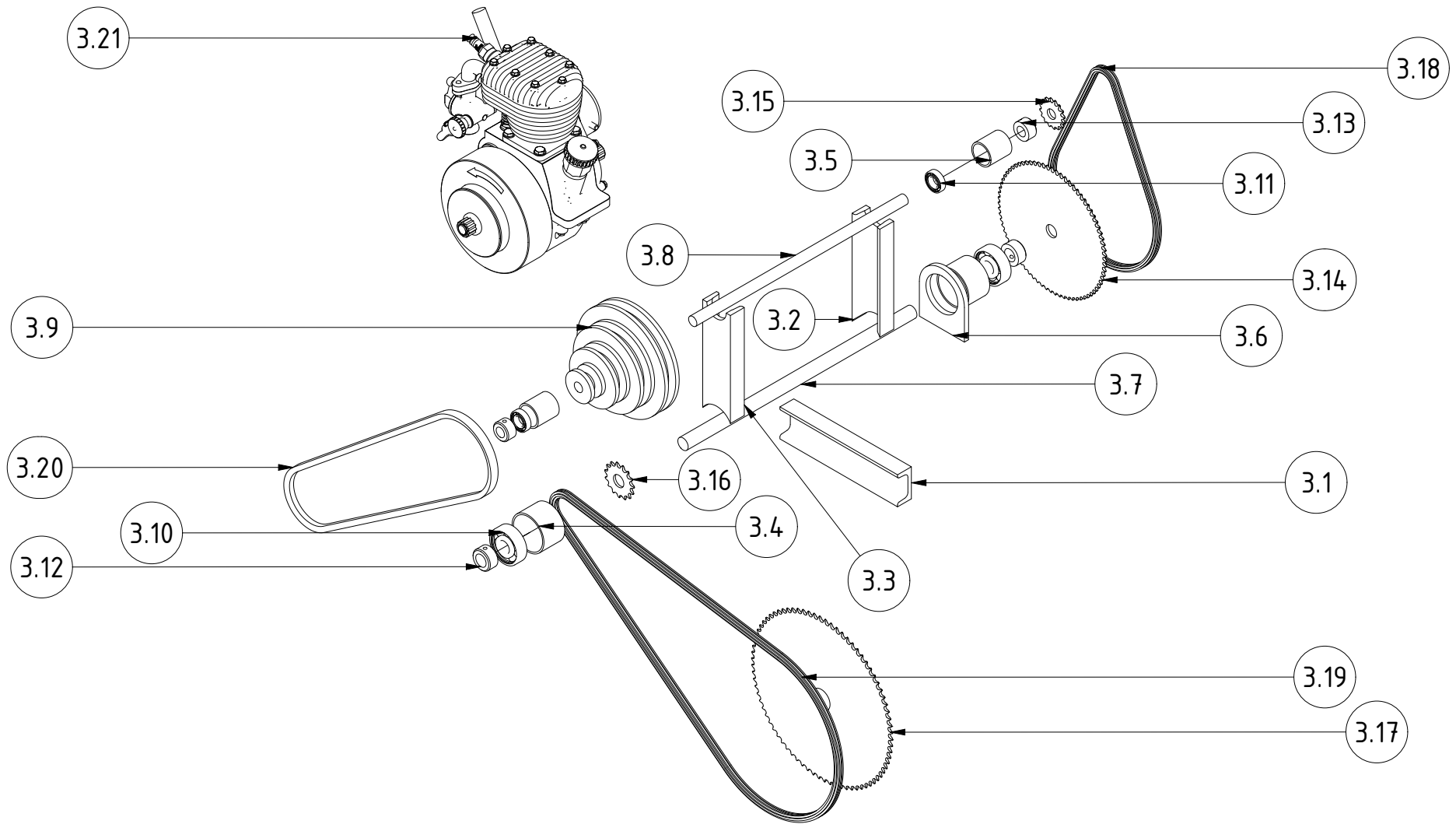


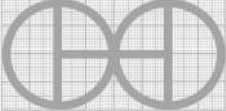
AC (1 : 2)



AD (1 : 2)

PROJECT	CREATED BY	APPROVED BY	DATE	VERSION
Scooter with fat tire	J. Rosciano	A. Morillo	31/08/2021	1.2
PART NAME	FILE NAME			POS
Transmission frame	Transmission frame.iam			3.0
DEVELOPED BY	REDESIGNED BY	DOC. TYPE	MATERIAL	QUANTITY
		Assembly		1
OHO	OHO e.V.	LICENCE	SCALE	SHEET
		CC-BY-SA 4.0	1/6	35 /65



PROJECT	CREATED BY	APPROVED BY	DATE	VERSION
Scooter with fat tire	J. Rosciano	A. Morillo	31/08/2021	1.2
PART NAME	FILE NAME			POS
Transmission frame	Transmission frame.ipn			3.0
DEVELOPED BY	REDESIGNED BY	DOC. TYPE	MATERIAL	QUANTITY
		Assembly		1
OHO	OHO e.V.	LICENCE	SCALE	SHEET
		CC-BY-SA 4.0	1/6	36 /65