
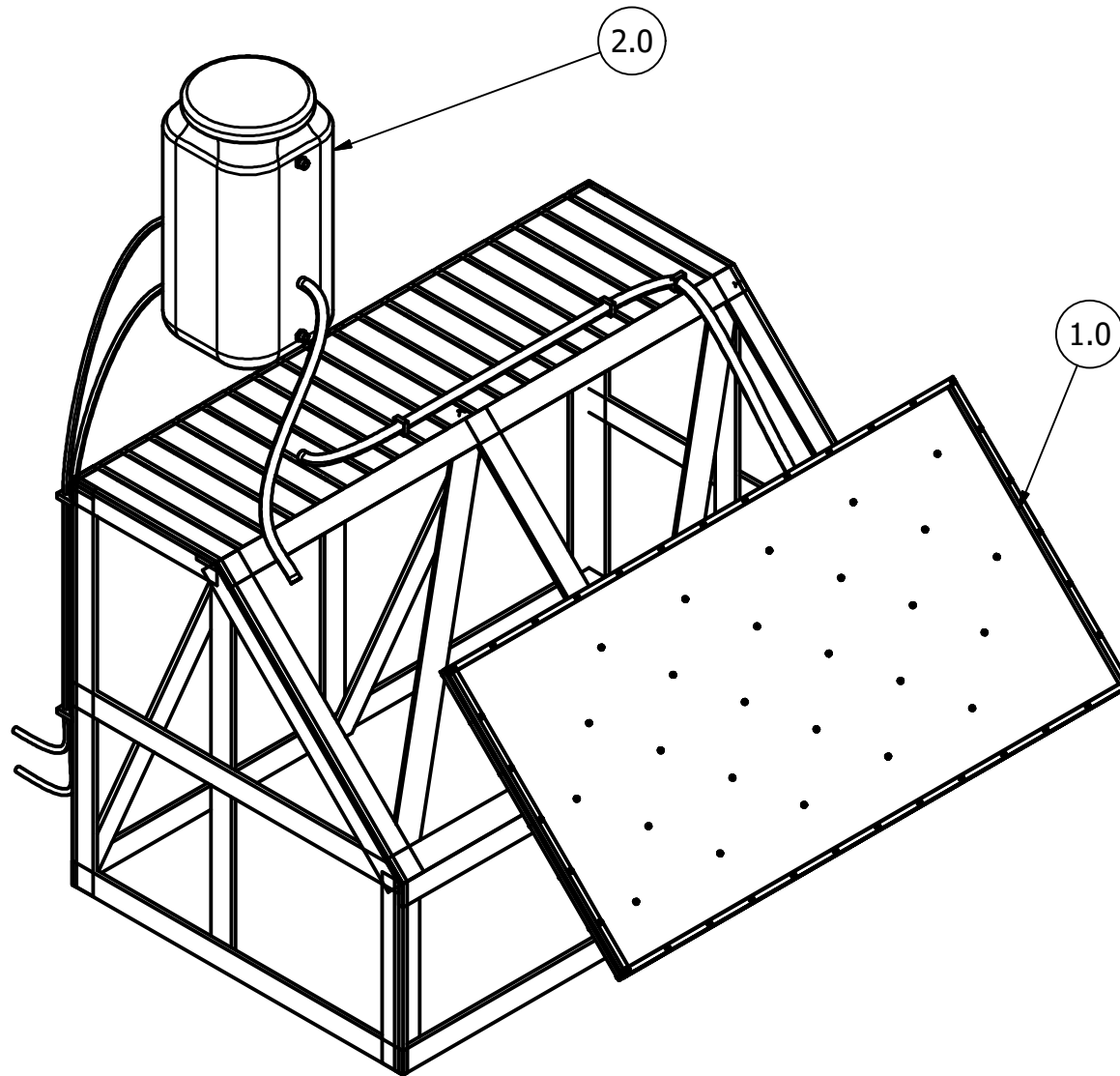




PROJECT		CREATED BY	APROVED BY		
Solar Heater		A. MORILLO	D. JAEGER		
PART NAME		PART CODE	DOCUMENT TYPE	MATERIAL	
solar-water-heater		A1	ASSEMBLY		
DEVELOPED BY	REDESIGNED BY	LICENCE	FILE NAME	VERSION	QUANTITY
OpenSource LowTech.org	 OPEN SOURCE ECOLOGY GERMANY	CERN-OHL	solar-water-heater.iam	1.0	
				SCALE	SHEET
				1:30	1 / 15
					8/12/2020

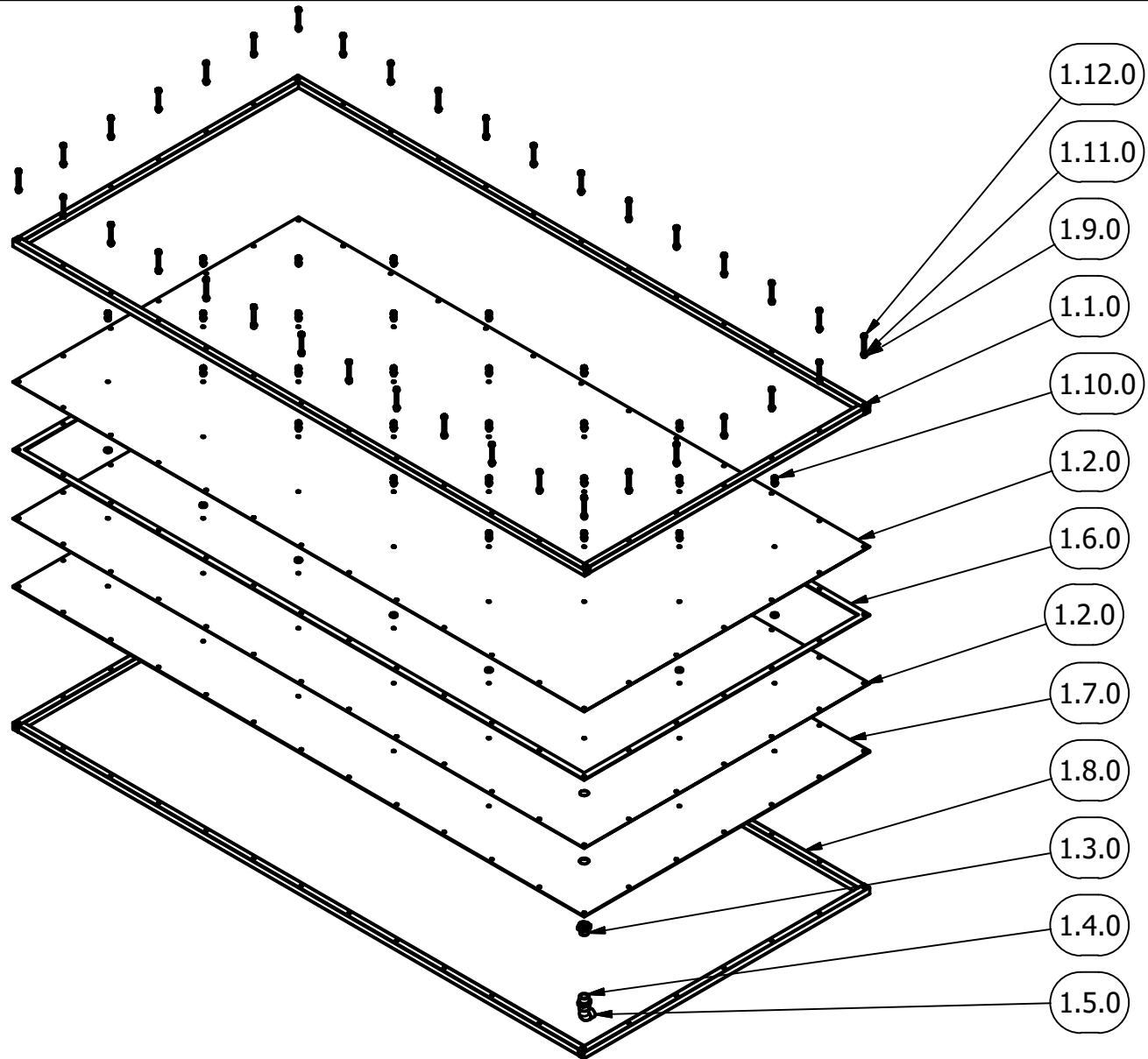



PROJECT		CREATED BY	APROVED BY		
Solar Heater		A. MORILLO	D. JAEGER		
PART NAME		PART CODE	DOCUMENT TYPE	MATERIAL	
solar-water-heater		A2	ASSEMBLY		
DEVELOPED BY	REDESIGNED BY	LICENCE	FILE NAME	VERSION	QUANTITY
OpenSource LowTech.org	 OPEN SOURCE ECOLOGY GERMANY	CERN-OHL	solar-water-heater.iam	1.0	
				SCALE	SHEET
			1:25	2 / 15	8/12/2020

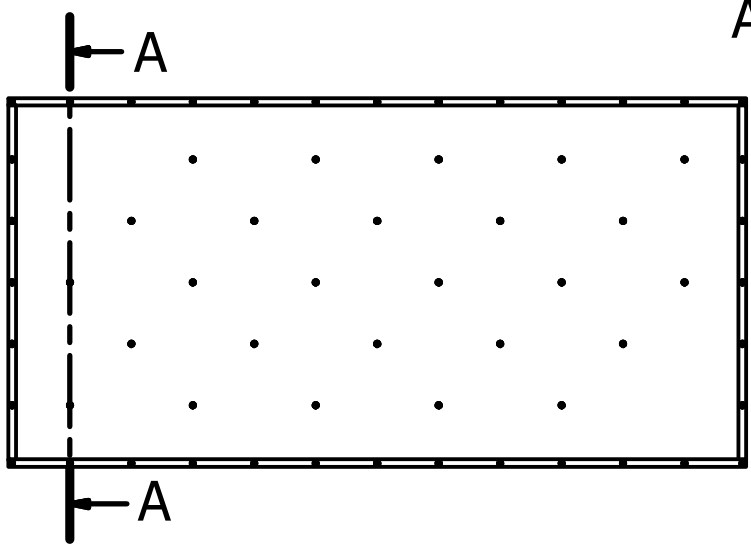
PARTS LIST

POS	POS. OLD	QTY	PART NAME	FILE NAME	PART TYPE	SPECIFICATIONS	SHEET
A1-A2			Solar Water Heater	solar-water-heater.iam / ipn			1-2
B			Part List	solar-water-heater.idw			3
1.0.0		1	Panel Assembly	panel-assembly5.iam			4 - 5
1.1.0		1	Panel structure 2	panel-structure2.iam			6
1.1.1		2	Tube 25*25*2440	DIN 25 x 25 x 2 00000001.ipt	Production	EN 10210-2 - 25 x 25 x 2 - 2440	7
1.1.2		2	Tube 25*25*1770	DIN 25 x 25 x 2 00000004.ipt	Production	EN 10210-2 - 25 x 25 x 2 - 1170	8
1.2.0		2	Metal sheet	metal-sheet-plane.ipt	Production	thickness 1.2 mm	9
1.3.0		2	Socket MGA		Standard	DIN 8063 Bonded MGA 25	
1.4.0		2	Socket MGI		Standard	DIN 8063 Bonded MGI 3/4	
1.5.0		2	Elbow		Standard	DIN 8063 90 Deg Elbow W1 25	
1.6.0		1	Sheet seal	seal.ipt	Production	Rubber, Thickness 4 mm	10
1.7.0		1	Thermal Insulation			carton cover	
1.8.0		1	Panel structure 1	panel-structure1.iam		panel-structure1	11
1.8.1		2	Tube 25*25*2390	DIN 25 x 25 x 2 00000003.ipt	Production	EN 10210-2 - 25 x 25 x 2 - 2390	12
1.8.2		2	Tube 25*25*1220	DIN 25 x 25 x 2 00000002.ipt	Production	EN 10210-2 - 25 x 25 x 2 - 1220	13
1.9.0		124	Washer		Standard	ISO 8738 - 8	
1.10.0		26	Hex-Head Bolt		Standard	DIN 933 - M8 x 25	
1.11.0		62	Hex Nut		Standard	DIN 555-5 - M8	
1.12.0		36	Hex-Head Bolt		Standard	DIN 933 - M8 x 75	
2.0.0		1	Tank Assembly	tank-assembly.iam			14
2.1.0		1	Tank with cap		Production	200 L, volume optional	
2.2.0		2	Socket MGA		Standard	DIN 8063 Bonded MGA 25	
2.3.0		2	Hose Barb to Male Pipe		Standard	Parker Hose Barb 90° Elbow	
2.4.0		2	Socket MGI		Standard	DIN 8063 Bonded MGI 3/4	
2.5.0		2	Connector		Standard	Lok Female thread - 5/8 x 1/2	
2.6.0		1	Thermal Insulation		Production	Polystyrene or similar	
2.7.0		1	Copper coil	tank-assembly.Run01.iam	Production	1/2 inch copper tube	15

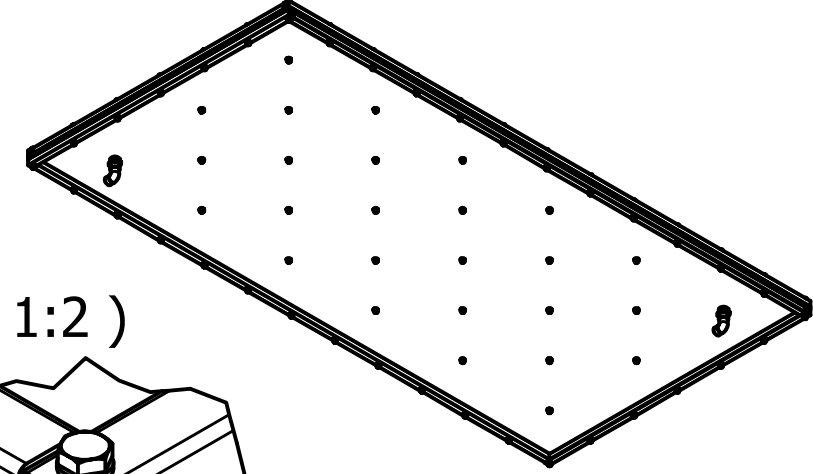
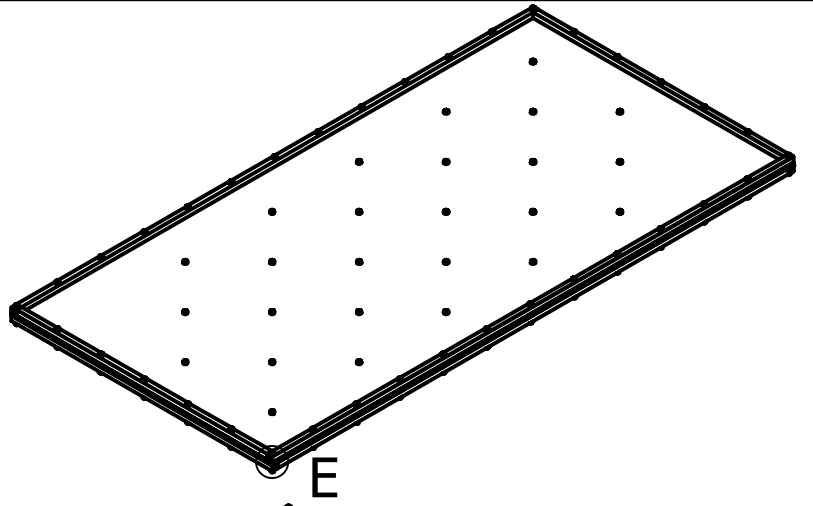
PROJECT		CREATED BY	APPROVED BY		
Solar Heater		A. MORILLO	D. JAEGER		
PART NAME		PART CODE	DOCUMENT TYPE	MATERIAL	
		B1	PART LIST		
DEVELOPED BY	REDESIGNED BY	LICENCE	FILE NAME	VERSION	QUANTITY
OpenSource LowTech.org	 OPEN SOURCE ECOLOGY GERMANY	CERN-OHL		1.0	
				SCALE	SHEET
				3 / 15	8/12/2020



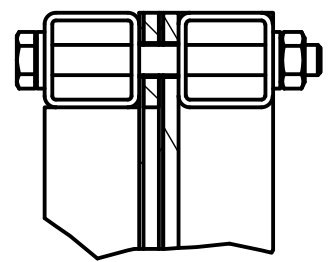
PROJECT		CREATED BY	APROVED BY			
Solar Heater		A. MORILLO	D. JAEGER			
PART NAME		PART CODE	DOCUMENT TYPE	MATERIAL		
panel-assembly5		1.0.0	ASSEMBLY			
DEVELOPED BY	REDESIGNED BY	LICENCE	FILE NAME	VERSION	QUANTITY	
OpenSource LowTech.org	 OPEN SOURCE ECOLOGY GERMANY	CERN-OHL	panel-assembly5.iam	1.0	1	
				SCALE	SHEET	DATE
				1:20	4 / 15	8/12/2020



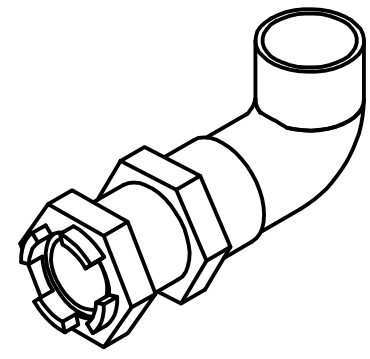
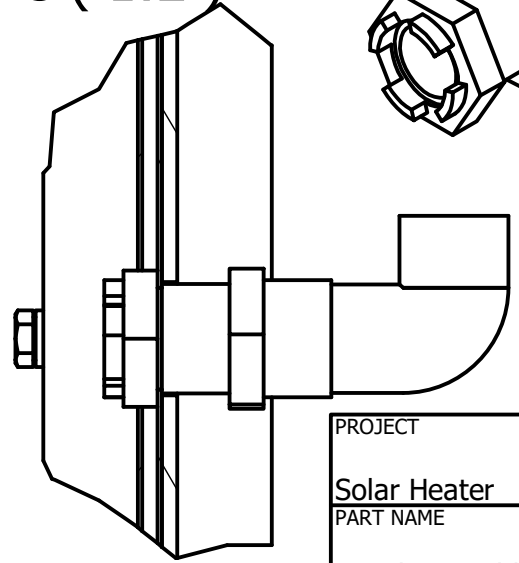
A-A (1:25)



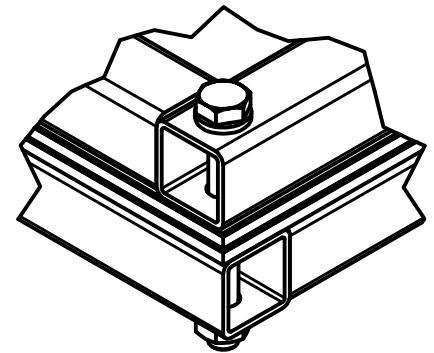
B (1:2)



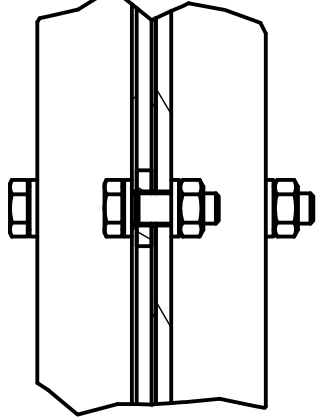
C (1:2)




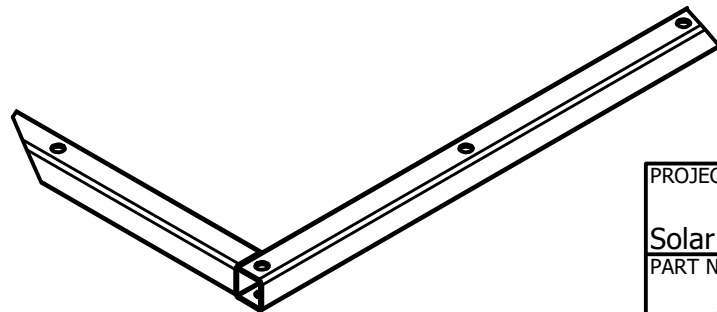
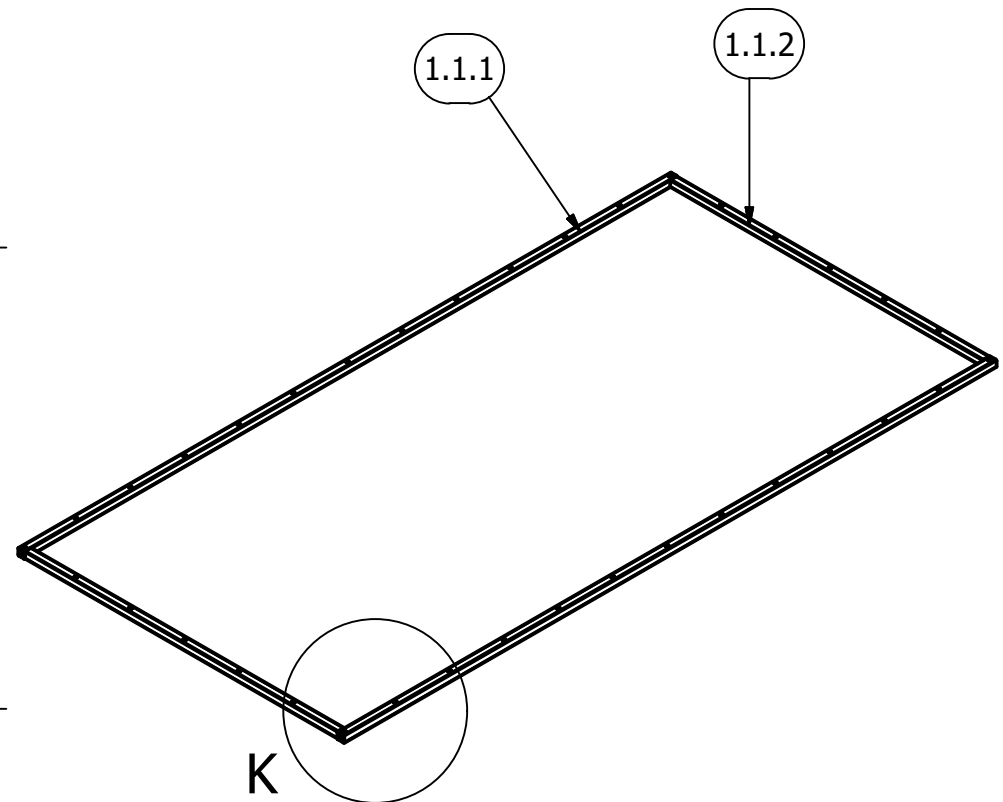
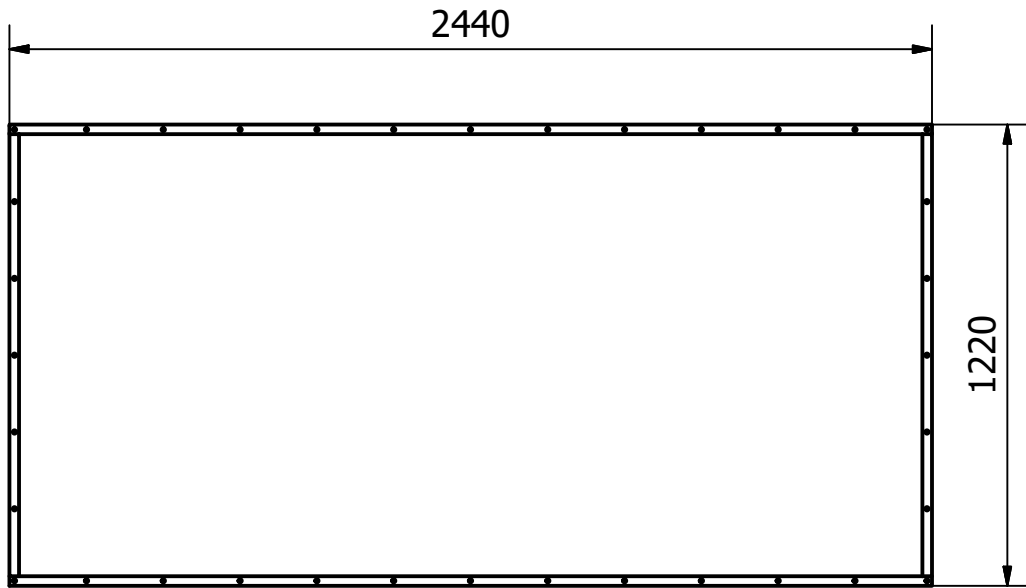
E (1:2)




D (1:2)

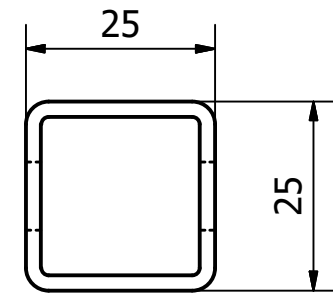
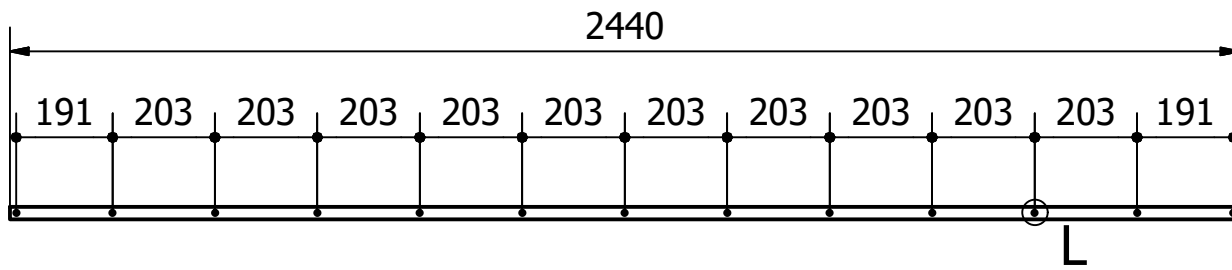


PROJECT		CREATED BY	APPROVED BY	
Solar Heater		A. MORILLO	D. JAEGER	
PART NAME		PART CODE	DOCUMENT TYPE	MATERIAL
panel-assembly5		1.0.0	ASSEMBLY	
DEVELOPED BY	REDESIGNED BY	LICENCE	FILE NAME	VERSION
OpenSource LowTech.org	 OPEN SOURCE ECOLOGY GERMANY	CERN-OHL	panel-assembly5.iam	1.0
			SCALE	QUANTITY
			1:25	1
			SHEET	DATE
			5 / 15	8/12/2020

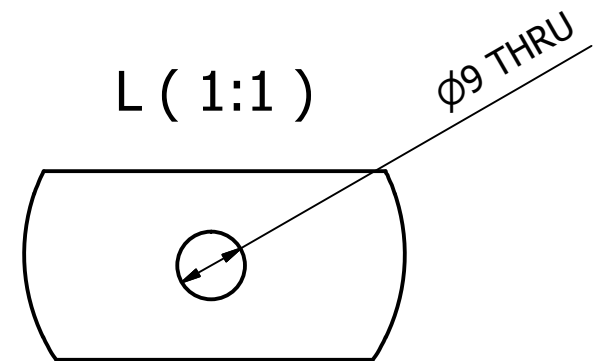
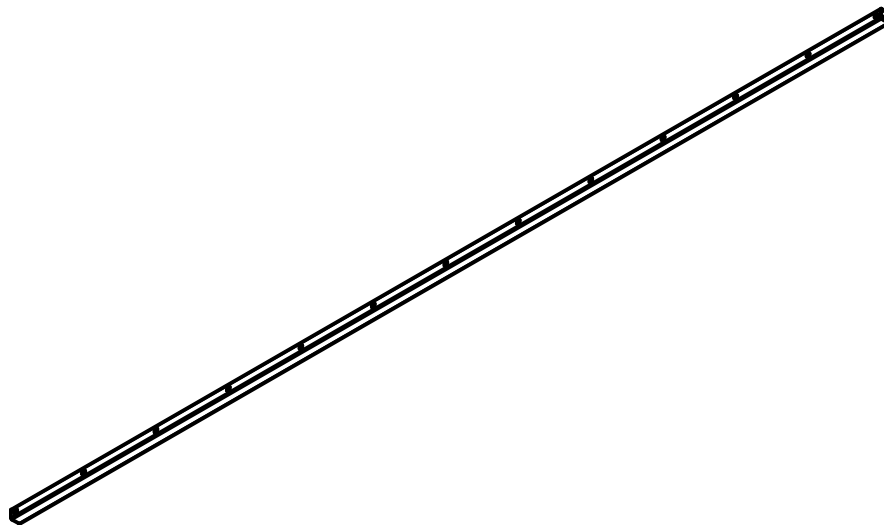



K (1 : 5)

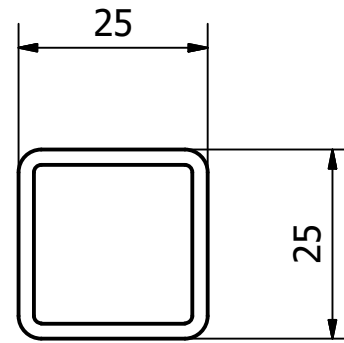
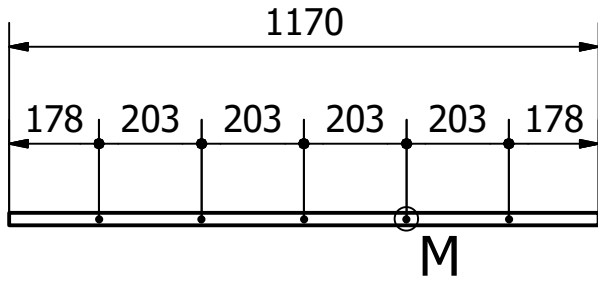
PROJECT		CREATED BY	APROVED BY			
Solar Heater		A. MORILLO	D. JAEGER			
PART NAME		PART CODE	DOCUMENT TYPE	MATERIAL		
panel-structure2		1.1.0	ASSEMBLY	STEEL A36		
DEVELOPED BY	REDESIGNED BY	LICENCE	FILE NAME	VERSION	QUANTITY	
OpenSource LowTech.org	 OPEN SOURCE ECOLOGY GERMANY	CERN-OHL	panel-structure2.iam	1.0	2	
				SCALE	SHEET	DATE
				1:20	6 / 15	8/12/2020



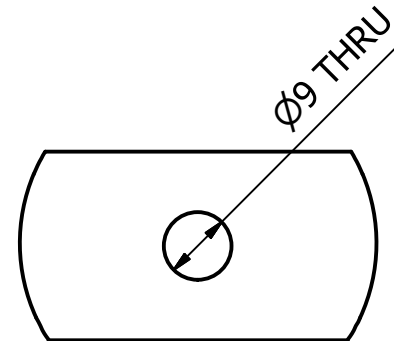
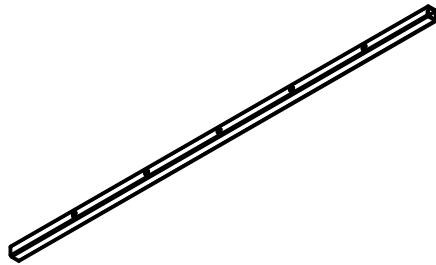
(1:1)




PROJECT		CREATED BY	APROVED BY		
Solar Heater		A. MORILLO	D. JAEGER		
PART NAME		PART CODE	DOCUMENT TYPE	MATERIAL	
EN 10210-2 - 25 x 25 x 2 - 2440		1.1.1	PART	STEEL A36	
DEVELOPED BY	REDESIGNED BY	LICENCE	FILE NAME	VERSION	QUANTITY
OpenSource LowTech.org	 OPEN SOURCE ECOLOGY GERMANY	CERN-OHL	DIN 25 x 25 x 2 00000001.ipt	1.0	2
				SCALE	DATE
				7 / 15	8/12/2020

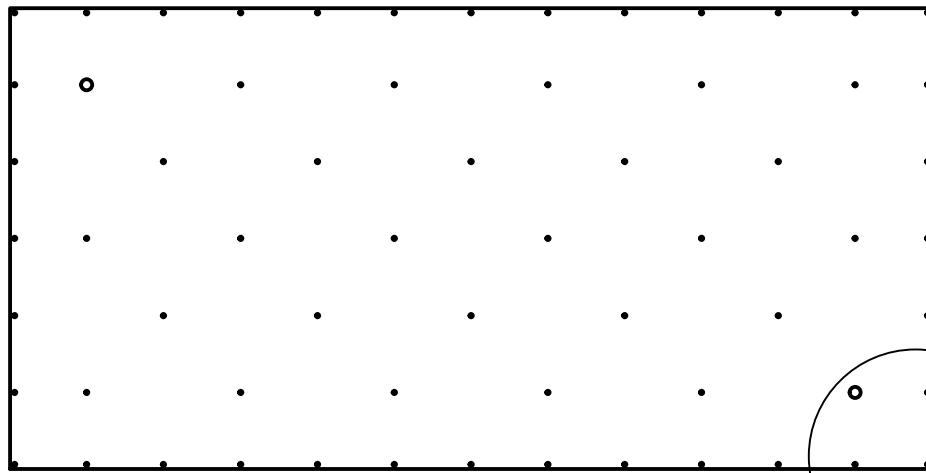


(1:1)



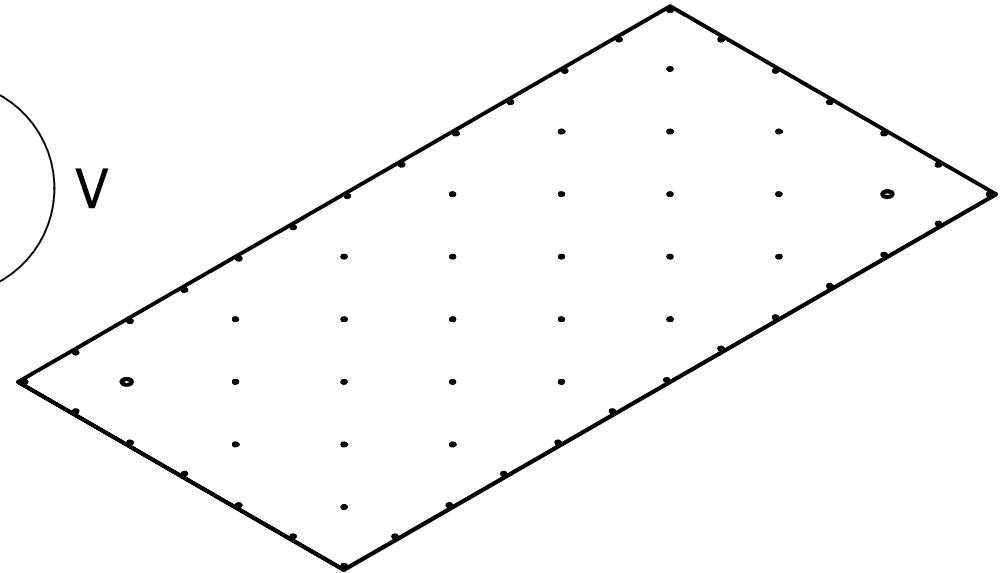
M (1:1)

PROJECT		CREATED BY	APROVED BY		
Solar Heater		A. MORILLO	D. JAEGER		
PART NAME		PART CODE	DOCUMENT TYPE	MATERIAL	
EN 10210-2 - 25 x 25 x 2 - 1170		1.1.1	PART	STEEL A36	
DEVELOPED BY	REDESIGNED BY	LICENCE	FILE NAME	VERSION	QUANTITY
OpenSource LowTech.org	 OPEN SOURCE ECOLOGY GERMANY	CERN-OHL	DIN 25 x 25 x 2 00000004.ipt	1.0	2
				SCALE	DATE
				1:15	8 / 15
					8/12/2020

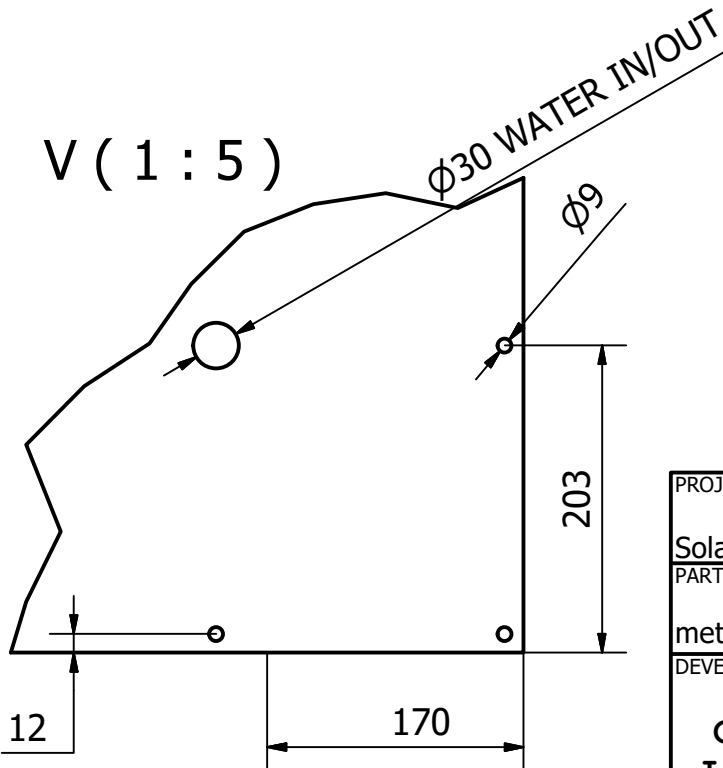



THICKNESS 1.2

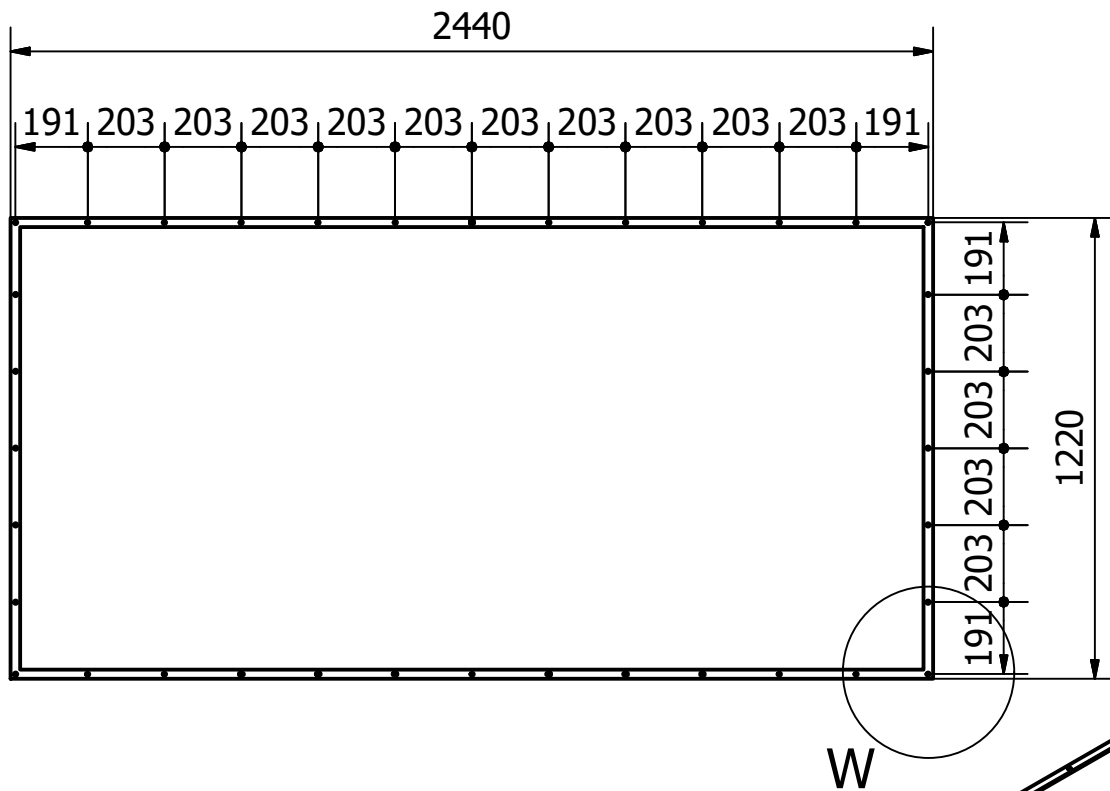
V



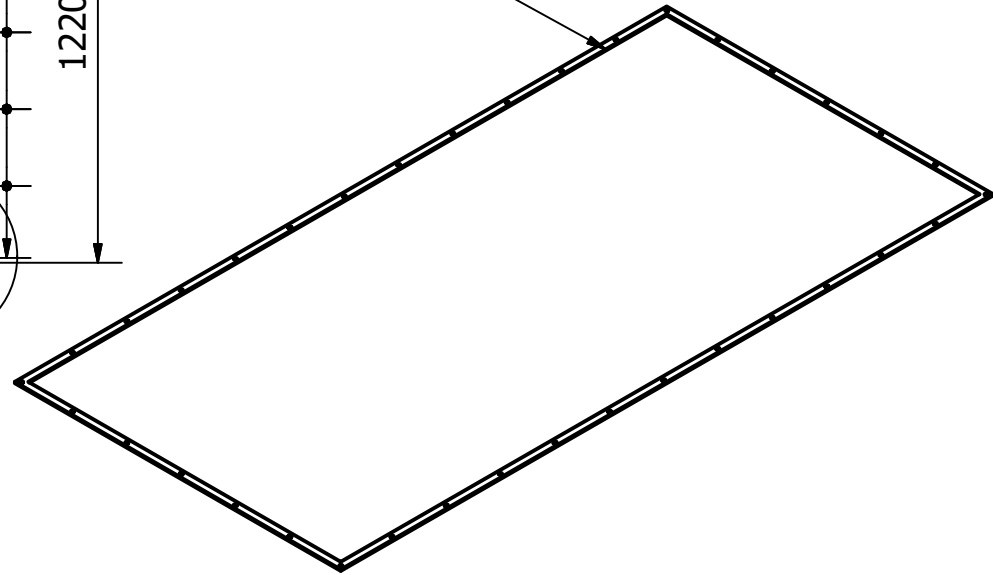
V (1:5)



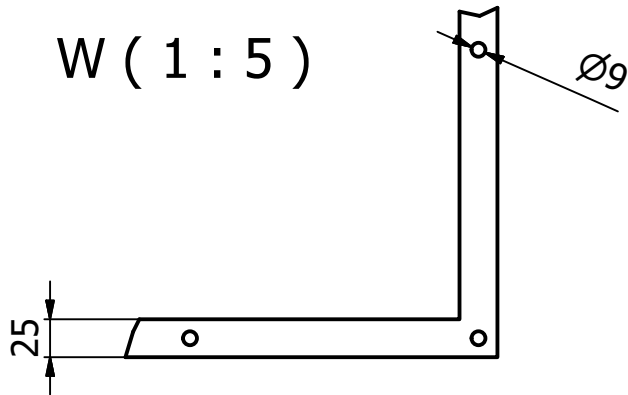
PROJECT		CREATED BY	APROVED BY		
Solar Heater		A. MORILLO	D. JAEGER		
PART NAME		PART CODE	DOCUMENT TYPE	MATERIAL	
metal-sheet-plane		1.2.0	PART	STEEL A570	
DEVELOPED BY	REDESIGNED BY	LICENCE	FILE NAME	VERSION	QUANTITY
OpenSource LowTech.org	 OPEN SOURCE ECOLOGY GERMANY	CERN-OHL	metal-sheet-plane.ipt	1.0	2
				SCALE	DATE
			1:20	9 / 15	8/12/2020




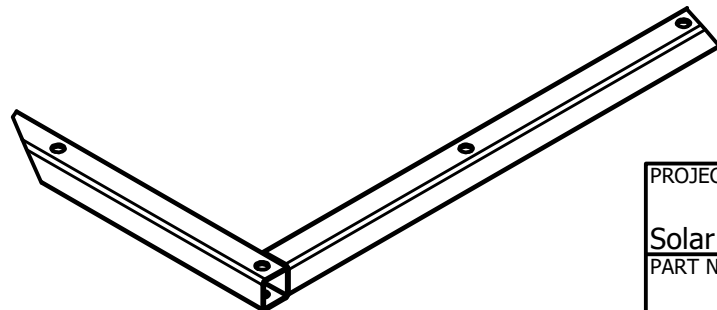
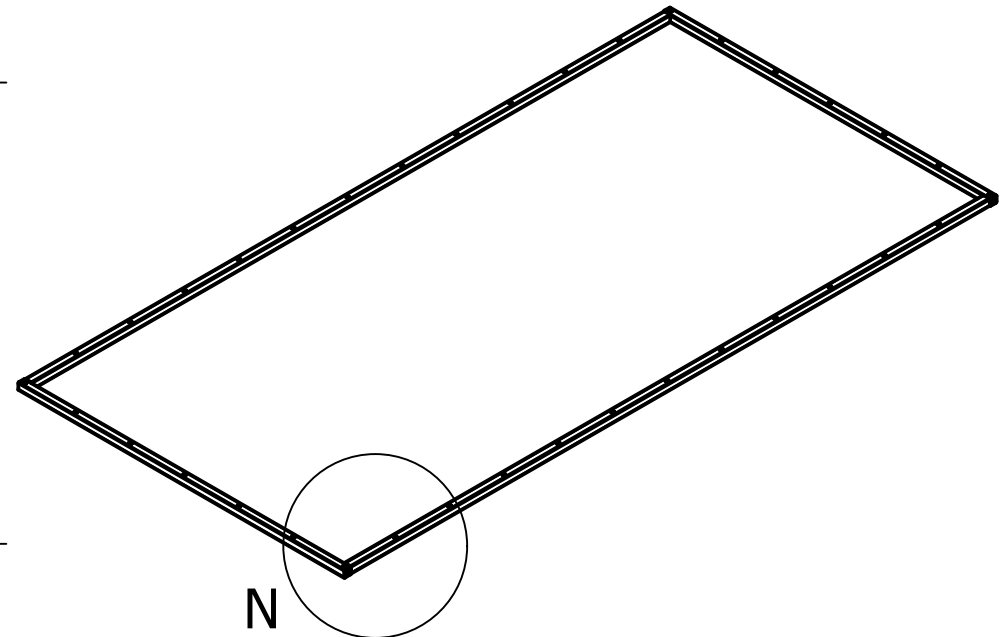
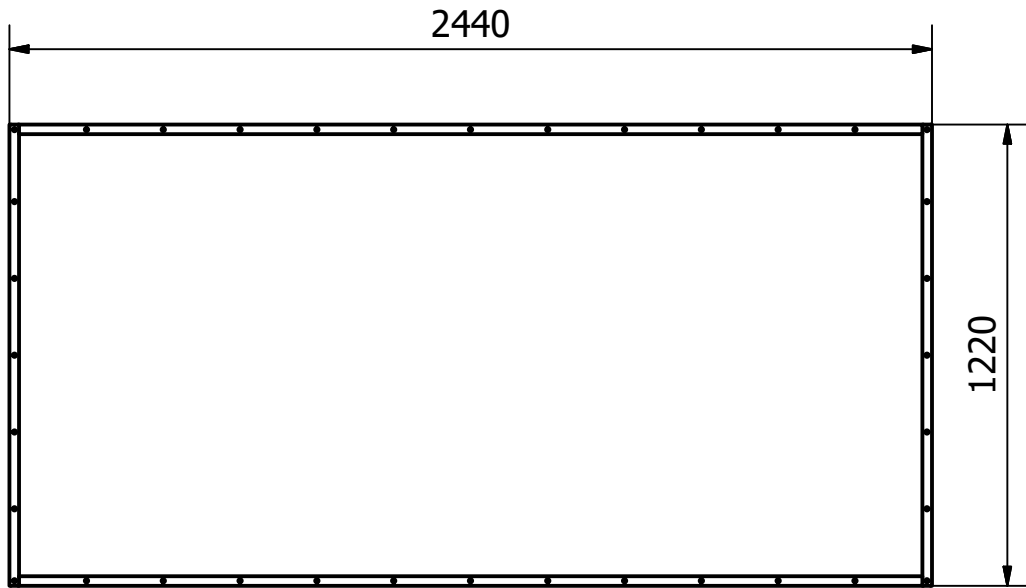
THICKNESS 4




W (1 : 5)

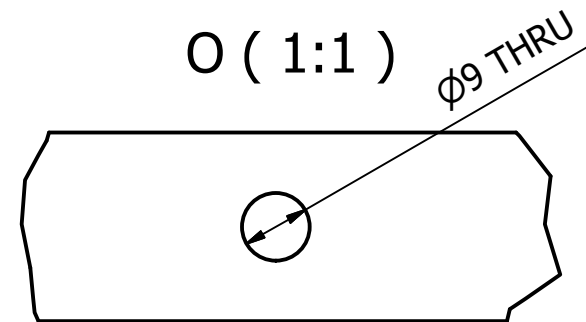
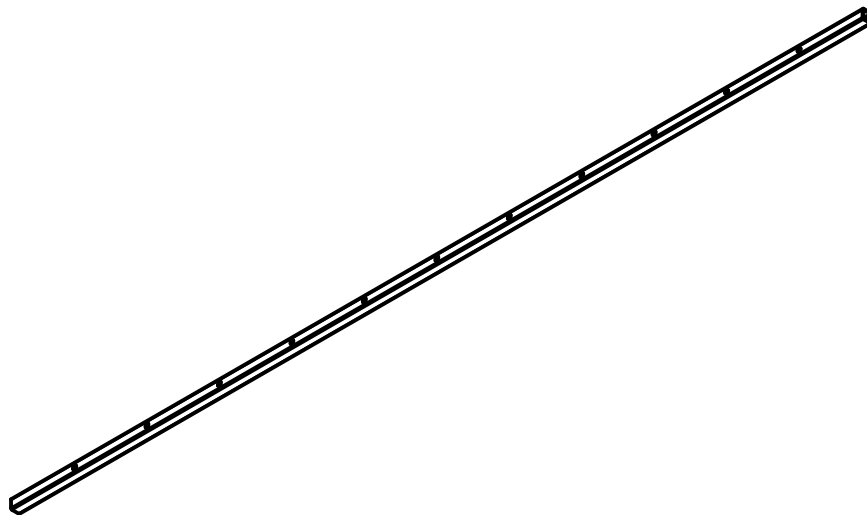
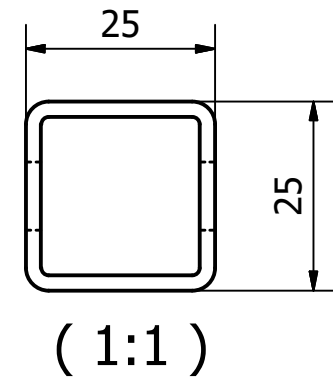
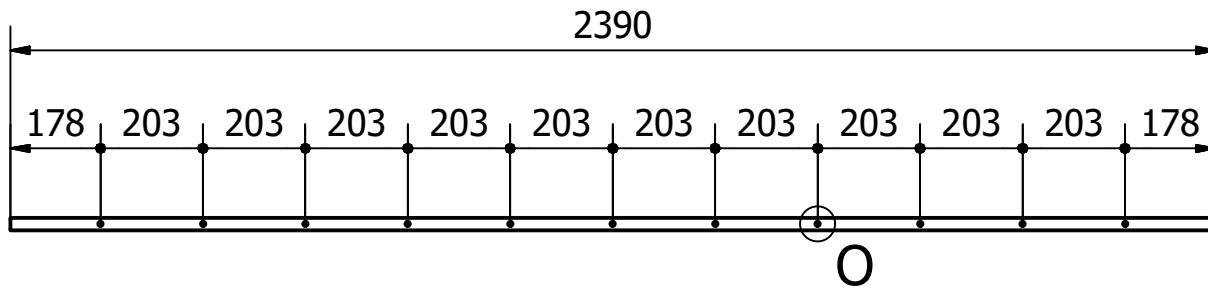



PROJECT		CREATED BY	APROVED BY		
Solar Heater		A. MORILLO	D. JAEGER		
PART NAME		PART CODE	DOCUMENT TYPE	MATERIAL	
seal		1.6.0	PART	RUBBER	
DEVELOPED BY		REDESIGNED BY	LICENCE	FILE NAME	VERSION
OpenSource LowTech.org		 OPEN SOURCE ECOLOGY GERMANY	CERN-OHL	seal.ipt	1.0
			SCALE	SHEET	QUANTITY
			1:20	10 / 15	1
					DATE
					8/12/2020

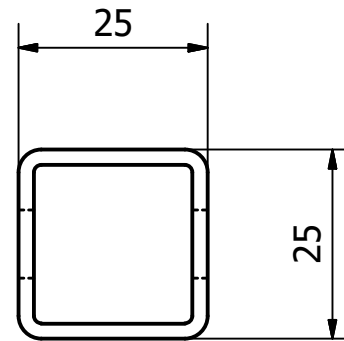
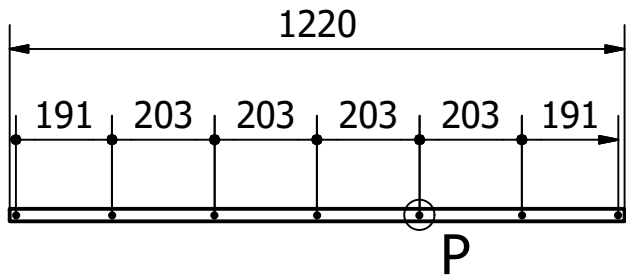


N (1 : 5)

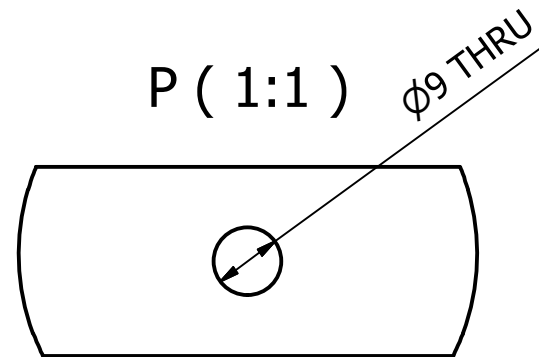
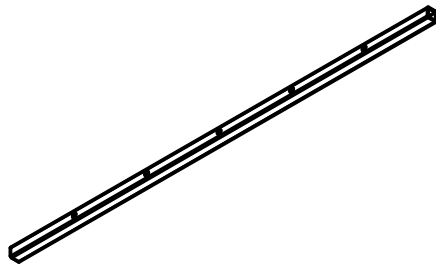
PROJECT		CREATED BY	APROVED BY			
Solar Heater		A. MORILLO	D. JAEGER			
PART NAME		PART CODE	DOCUMENT TYPE	MATERIAL		
panel-structure1		1.8.0	ASSEMBLY			
DEVELOPED BY	REDESIGNED BY	LICENCE	FILE NAME	VERSION	QUANTITY	
OpenSource LowTech.org	 OPEN SOURCE ECOLOGY GERMANY	CERN-OHL	panel-structure1.iam	1.0	1	
				SCALE	SHEET	DATE
				1:20	11 / 15	8/12/2020




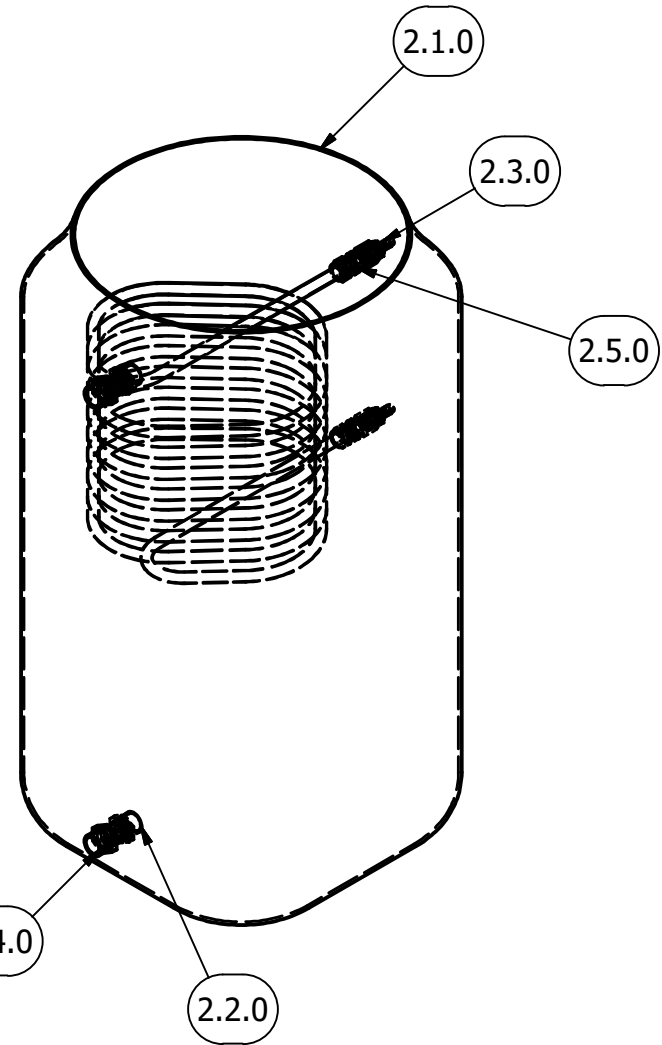
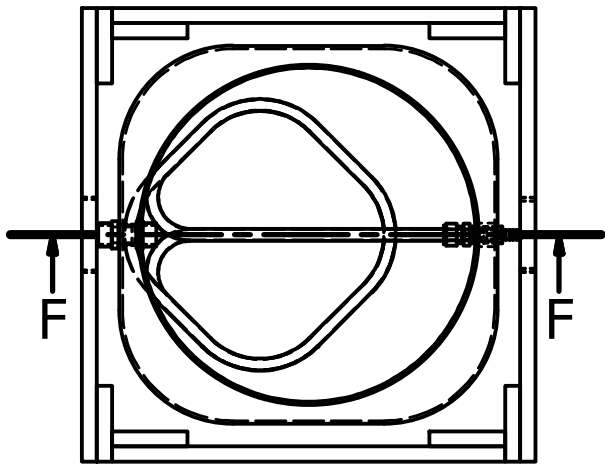
PROJECT		CREATED BY	APROVED BY			
Solar Heater		A. MORILLO	D. JAEGER			
PART NAME		PART CODE	DOCUMENT TYPE	MATERIAL		
EN 10210-2 - 25 x 25 x 2 - 2390		1.8.1	PART	STEEL A36		
DEVELOPED BY	REDESIGNED BY	LICENCE	FILE NAME	VERSION	QUANTITY	
OpenSource LowTech.org	 OPEN SOURCE ECOLOGY GERMANY	CERN-OHL	DIN 25 x 25 x 2 00000003.ipt	1.0	2	
				SCALE	SHEET	DATE
				1:15	12 / 15	8/12/2020



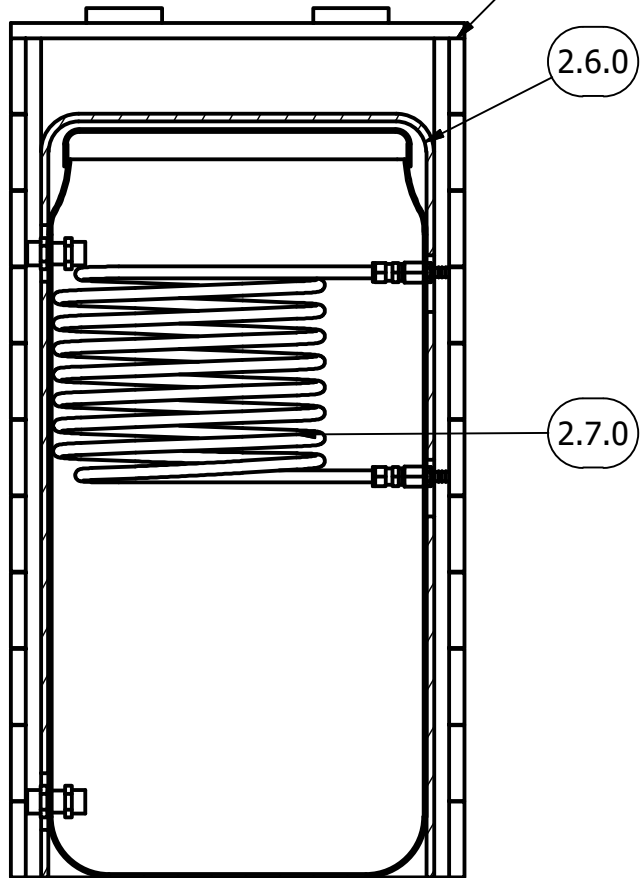
(1:1)




PROJECT		CREATED BY	APROVED BY	
Solar Heater		A. MORILLO	D. JAEGER	
PART NAME		PART CODE	DOCUMENT TYPE	MATERIAL
EN 10210-2 - 25 x 25 x 2 - 1220		1.8.2	PART	STEEL A36
DEVELOPED BY	REDESIGNED BY	LICENCE	FILE NAME	VERSION
OpenSource LowTech.org	 OPEN SOURCE ECOLOGY GERMANY	CERN-OHL	DIN 25 x 25 x 2 00000002.ipt	QUANTITY
			SCALE	DATE
			1:15	13 / 15
				8/12/2020

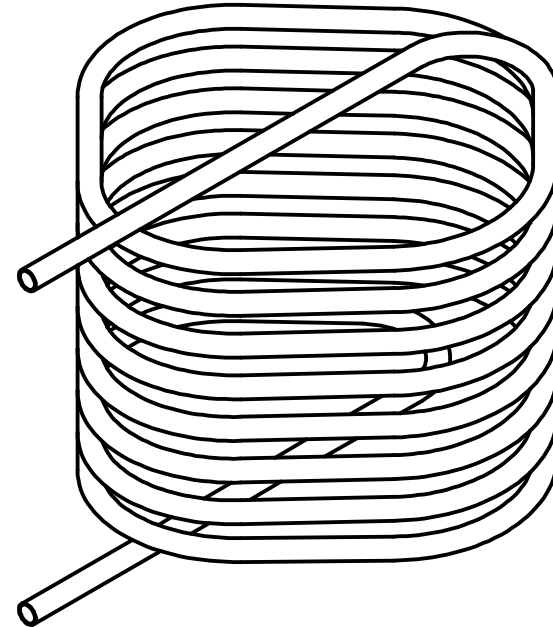
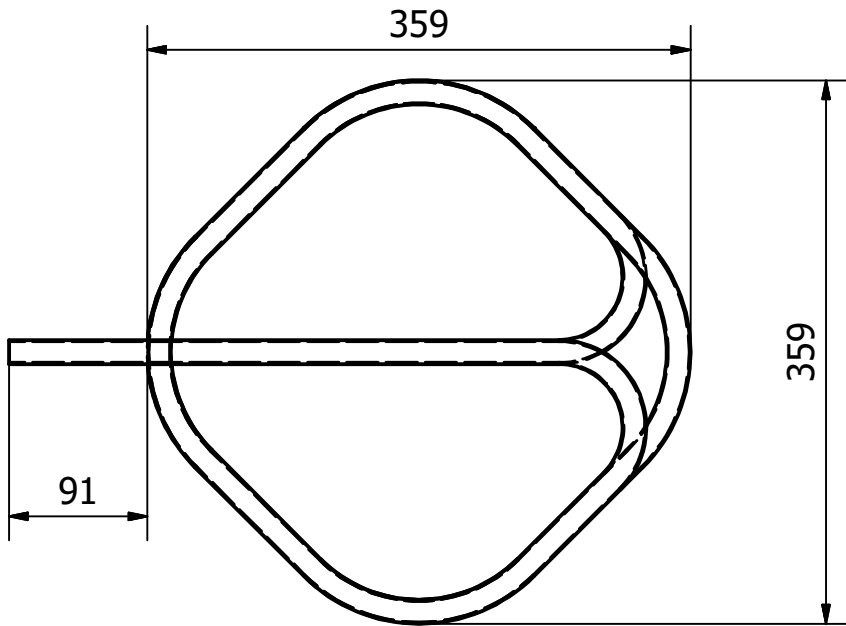
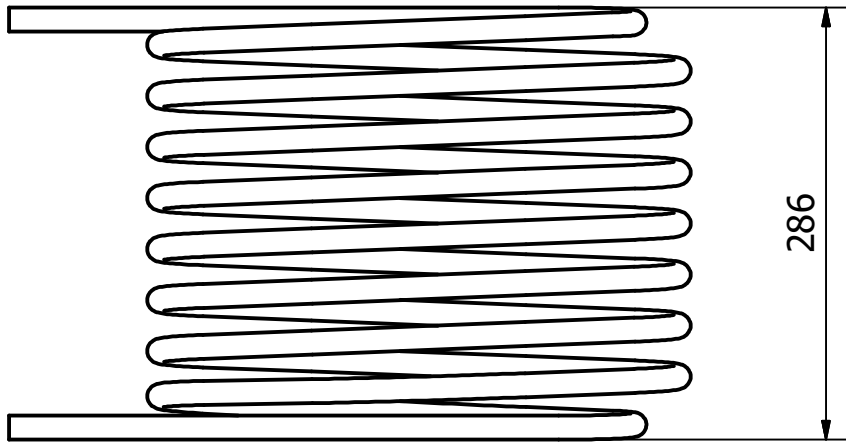



OPTIONAL WOOD STRUCTURE



F-F (1:10)

PROJECT		CREATED BY	APROVED BY			
Solar Heater		A. MORILLO	D. JAEGER			
PART NAME		PART CODE	DOCUMENT TYPE	MATERIAL		
tank-assembly		2.0.0	ASSEMBLY			
DEVELOPED BY	REDESIGNED BY	LICENCE	FILE NAME	VERSION	QUANTITY	
OpenSource LowTech.org	 OPEN SOURCE ECOLOGY GERMANY	CERN-OHL	tank-assembly.iam	1.0	1	
				SCALE	SHEET	DATE
				1:10	14 / 15	8/12/2020



PROJECT		CREATED BY	APROVED BY			
Solar Heater		A. MORILLO	D. JAEGER			
PART NAME		PART CODE	DOCUMENT TYPE	MATERIAL		
coil		2.7.0	PART	COPPER		
DEVELOPED BY	REDESIGNED BY	LICENCE	FILE NAME	VERSION	QUANTITY	
OpenSource LowTech.org	 OPEN SOURCE ECOLOGY GERMANY	CERN-OHL	coil.ipt	1.0	1	
				SCALE	SHEET	DATE
				1:5	15 / 15	8/12/2020