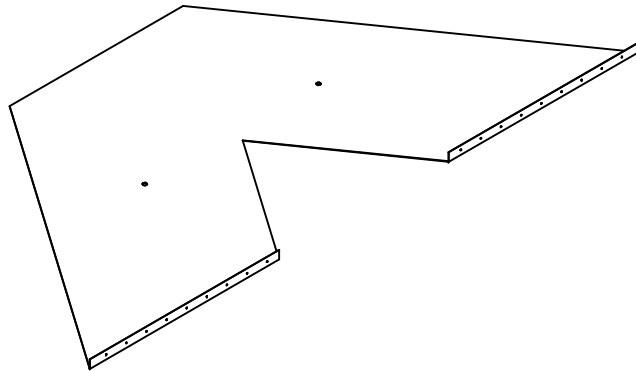
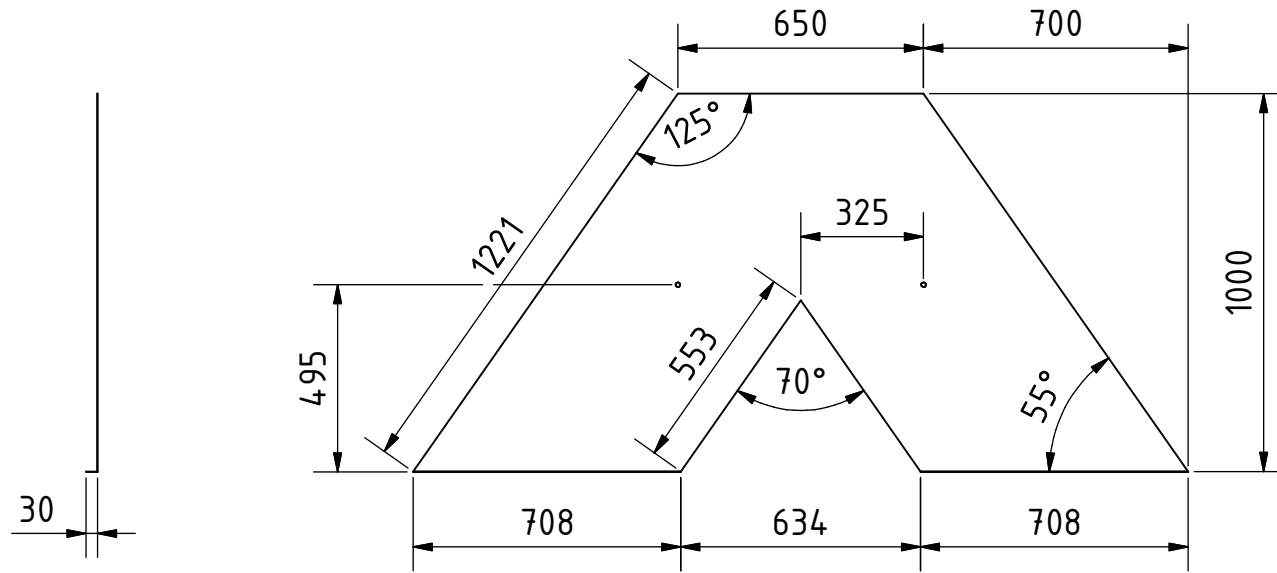
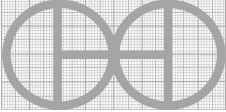


PLAN (1 : 20)



Note: All units in mm.

PROJECT	CREATED BY	APPROVED BY	DATE	VERSION
Batch Tray Dryer	J. Zeron	A. Morillo	10/08/2021	1.0
PART NAME	FILE NAME			POS
Top plate	Top plate.ipt			4.1
DEVELOPED BY	REDESIGNED BY	DOC. TYPE	MATERIAL	QUANTITY
		Part	18G Mild steel plate	4
Practical Action	OHO e.V.	LICENCE	SCALE	SHEET
		CC-BY-SA 4.0	1:20	18 /28