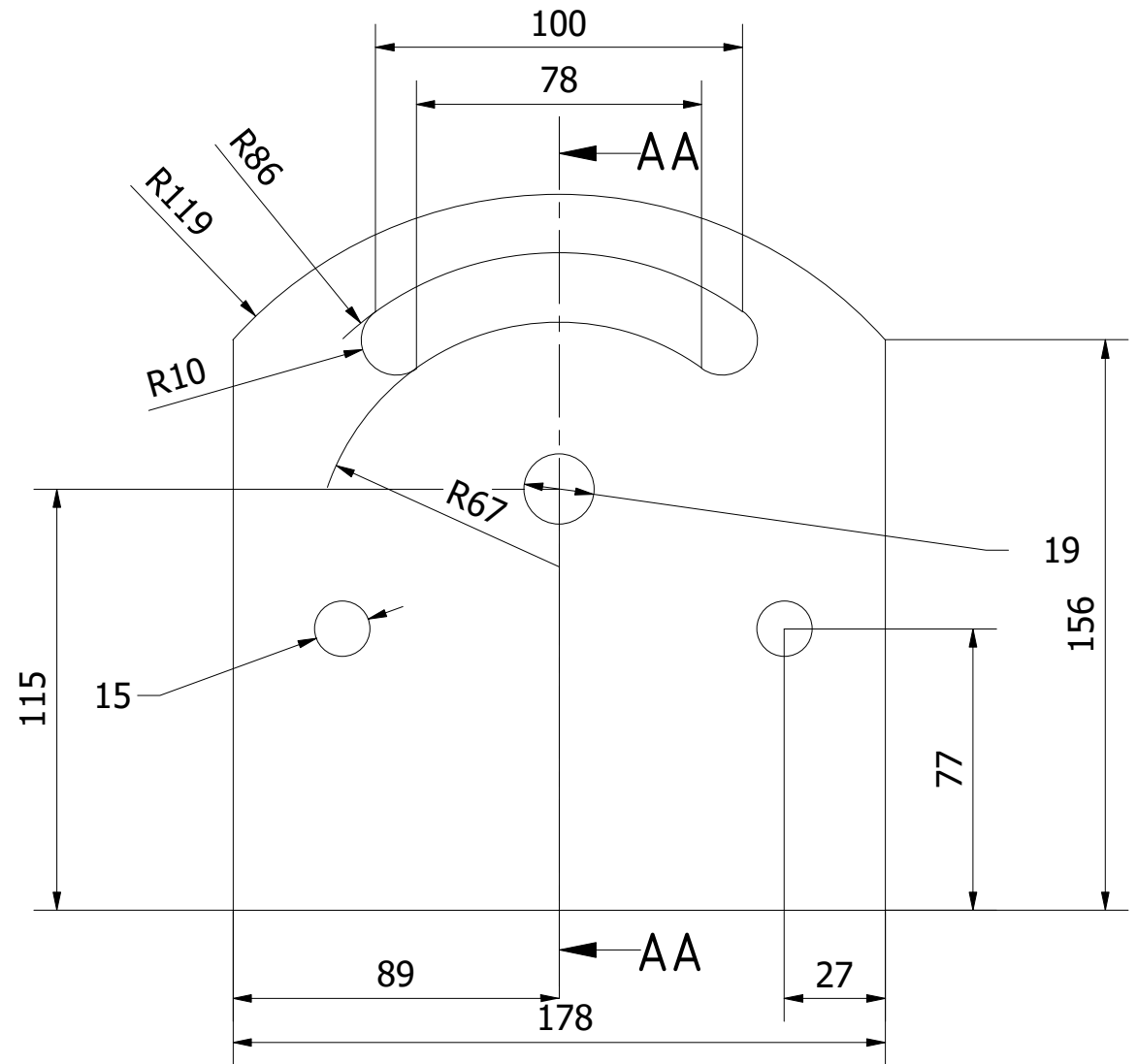



AA-AA ( 1 : 2 )



Note: All units in mm.

|  |                        |             |            |          |
|--|------------------------|-------------|------------|----------|
| PROJECT  | CREATED BY             | APPROVED BY | DATE       | VERSION  |
| Bandsaw mill   | J. Rosciano            | A. Morillo  | 11/09/2021 | 1.1      |
| PART NAME  | FILE NAME              |             |            | POS      |
| Adjustment plate A   | Adjustment plate A.ipt |             |            | 3.2      |
| PUBLISHED BY   | DOC. TYPE              | MATERIAL    |            | QUANTITY |
|  <b>OPEN HARDWARE OBSERVATORY</b><br>Free Blueprints for Sustainable Development | Part                   | ASTM A36    |            | 1        |
|  | LICENCE                | SCALE       |            | SHEET    |
| OHO e.V.   | CC-BY-SA 4.0           | 1/2         |            | 31 /71   |