
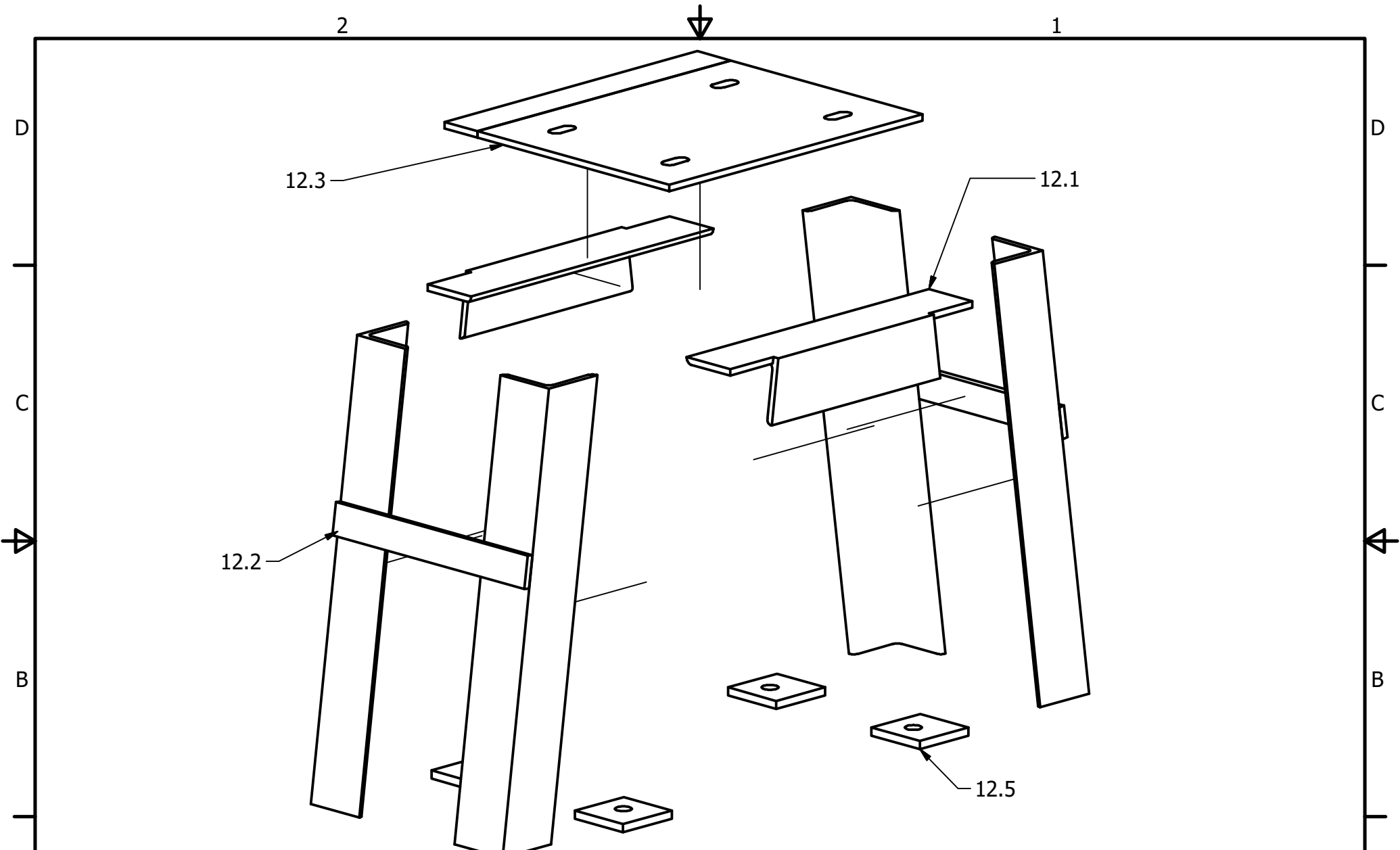



Project Small water turbine		Created by D. Mosquera		Approved by D. Jeager		
Part Name frame		Part Code 12	Document Type assemble		Material steel A36	
Redesigned by  OPEN SOURCE ECOLOGY GERMANY	Original drawing from Practical ACTION	License CERN-OHL	File Name oseg_swt_frame.iam		Version 1.0	Quantity 1
			Scale 1 / 10	Sheet 28	Date 18.01.21	



Proyect Small water turbine		Created by D. Mosquera		Approved by D. Jeager	
Part Name frame		Part Code 12		Document Type assemble	
Redesigned by  OPEN SOURCE ECOLOGY GERMANY		Original drawing from Practical ACTION		Material steel A36	
License CERN-OHL		File Name oseg_swt_frame.iam		Version 1.0	
		Scale 1 / 6		Quantity 1	
				Date 18.01.21	
				Sheet 29	