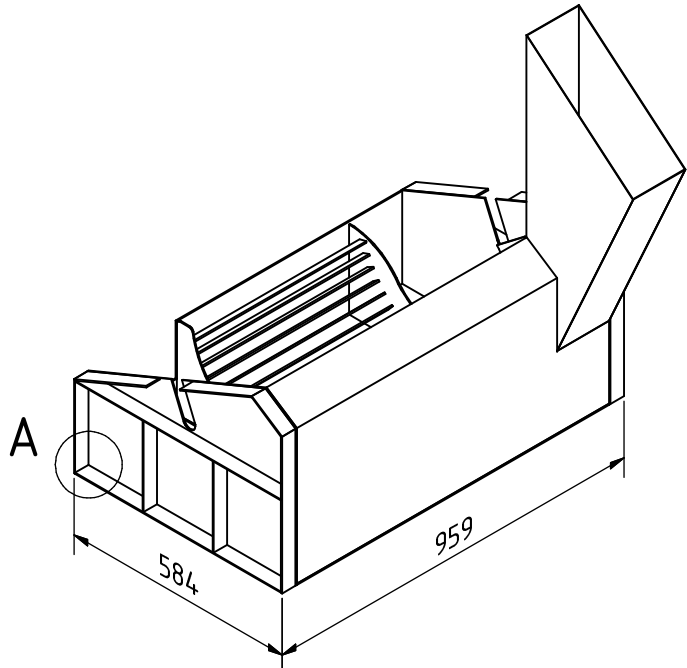
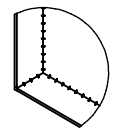


A ( 0,13 : 1 )



All metal parts are welded.  
Note: All units in mm.

PROJECT Power Thresher for rice and wheat		CREATED BY J. Zeron	APPROVED BY A. Morillo	DATE 30/08/2021	VERSION 1.0
PART NAME Lower concave		FILE NAME Lower concave.ipn			POS 5.0
DEVELOPED BY Practical Action	REDESIGNED BY OHO e.V.	DOC. TYPE Assembly	MATERIAL	QUANTITY 1	
		LICENCE CC-BY-SA 4.0	SCALE 1:15	SHEET 27 /43	