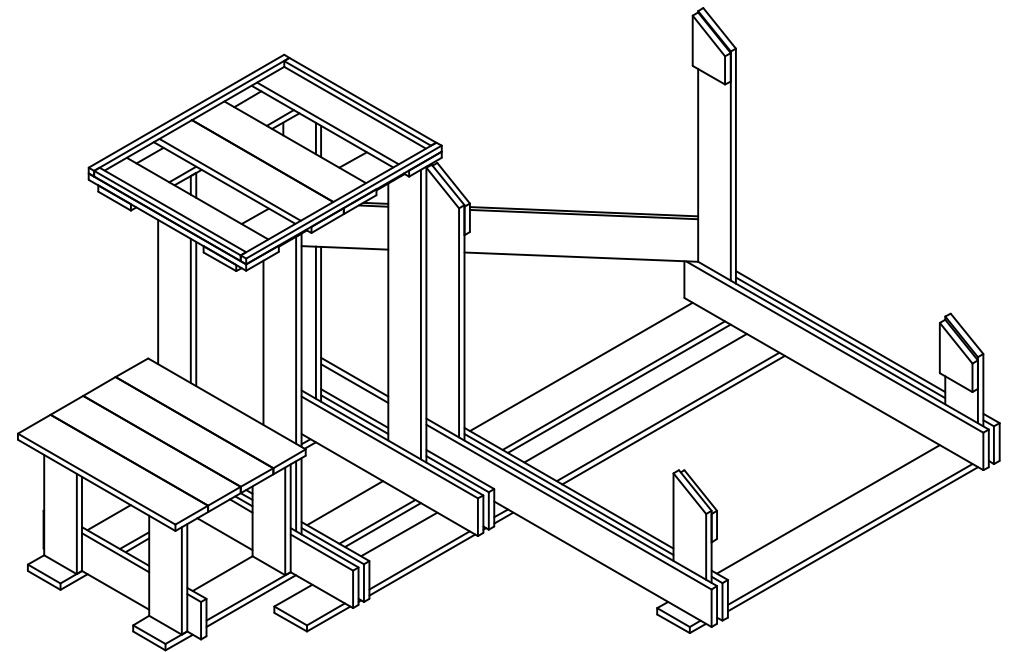
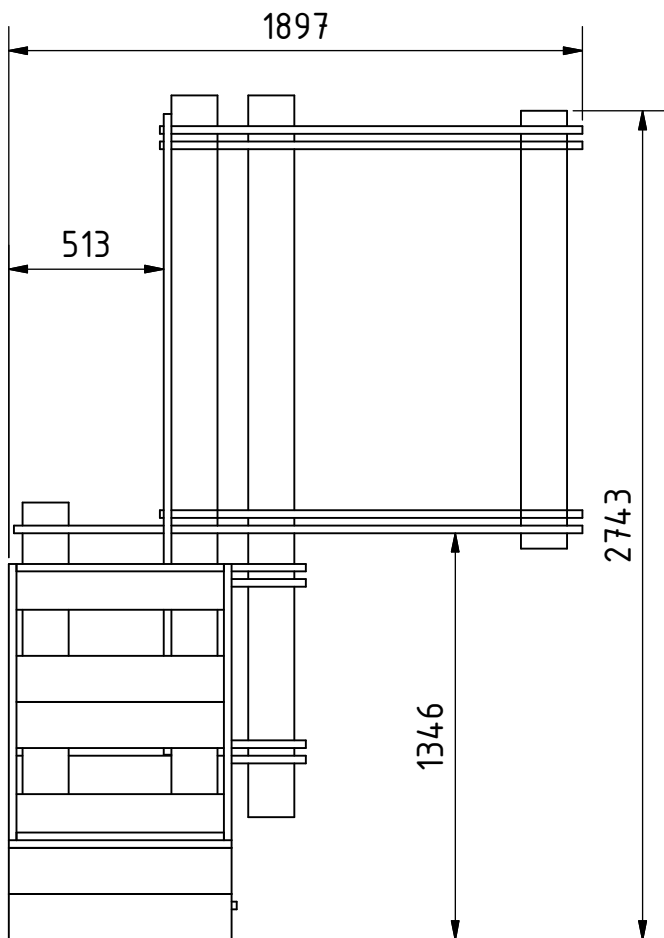
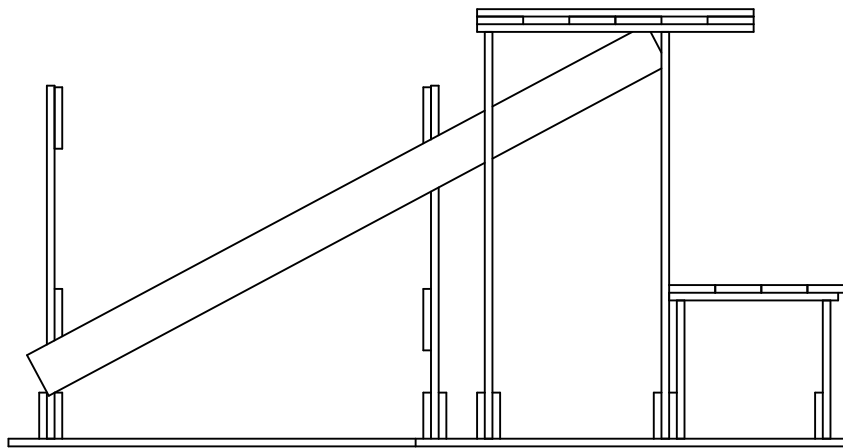
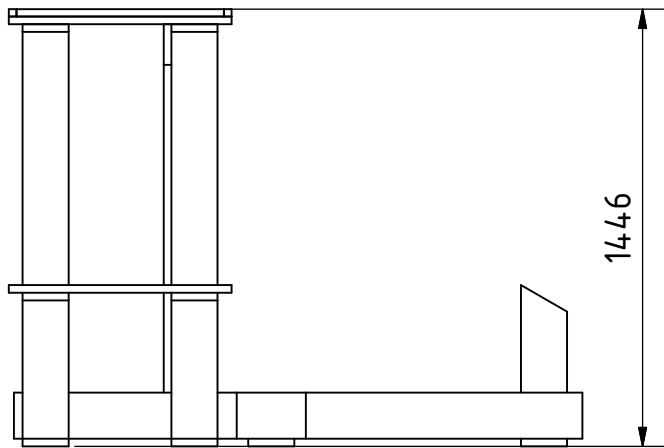

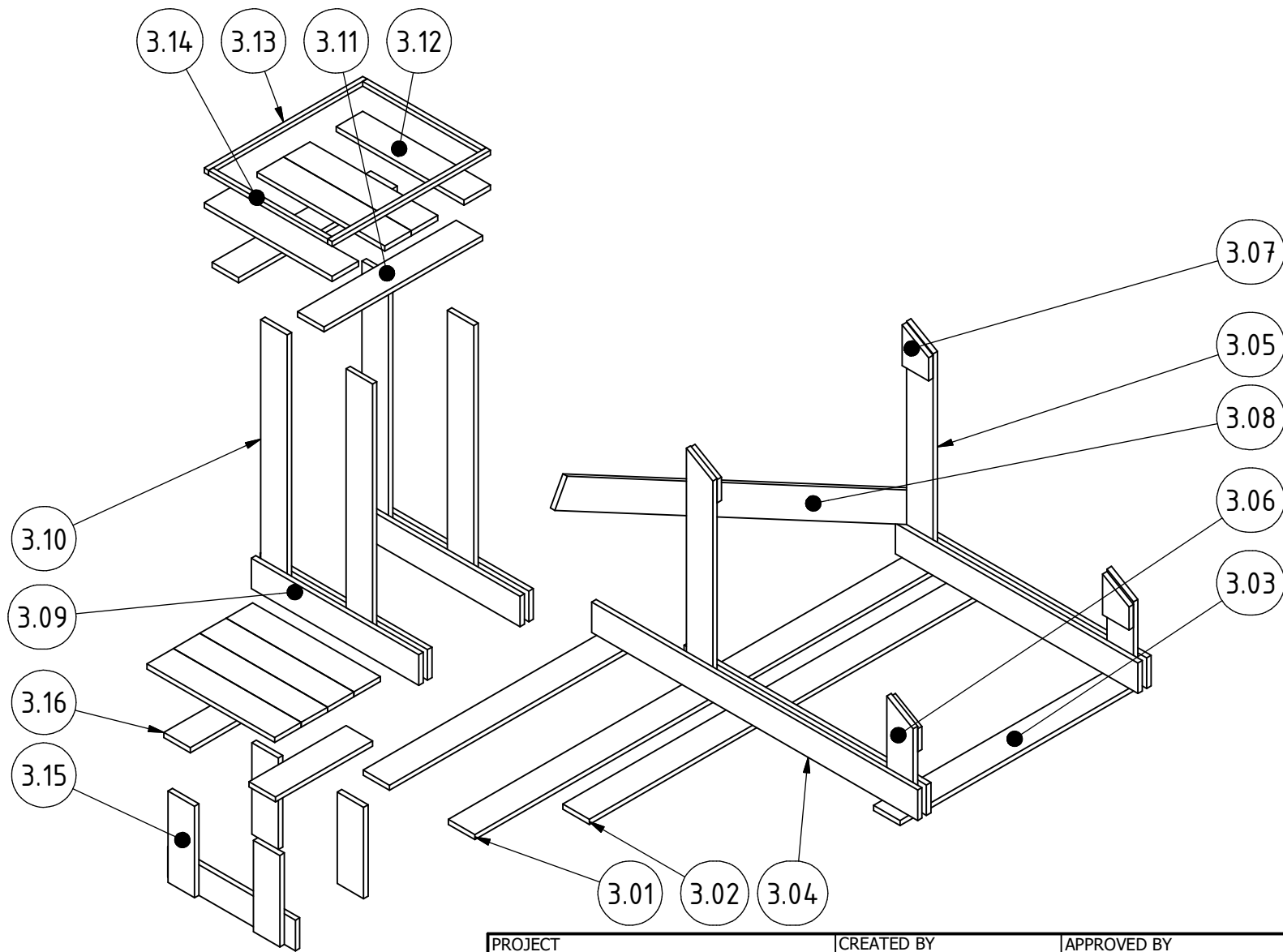
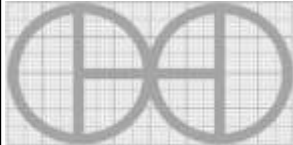


Joined with 2" nails



PROJECT Solar water heater for disinfection		CREATED BY A. Morillo	APPROVED BY D. Jaeger	DATE 22-05-2023	VERSION 0.01
PART NAME Rack		SPECIFICATIONS			CODE 3.00
DEVELOPED BY IOG - Engineers Without Borders		REDESIGNED BY 	FILE NAME Structure.iam		QUANTITY 1
		LICENSE CC-BY-SA 4.0		DOC. TYPE Assembly	SCALE SHEET 20 /24



PROJECT Solar water heater for disinfection		CREATED BY A. Morillo		APPROVED BY D. Jaeger		DATE 22-05-2023		VERSION 0.01		
PART NAME Rack		SPECIFICATIONS							CODE 3.00	
DEVELOPED BY		REDESIGNED BY		FILE NAME Structure.ipn				QUANTITY 1		
IOG - Engineers Without Borders				OHO e.V.		LICENSE CC-BY-SA 4.0		DOC. TYPE Assembly		
				SCALE 1 : 25		SHEET 21 / 24				