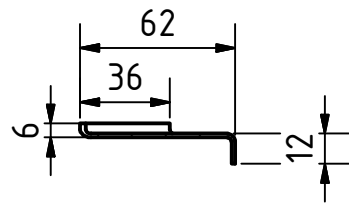
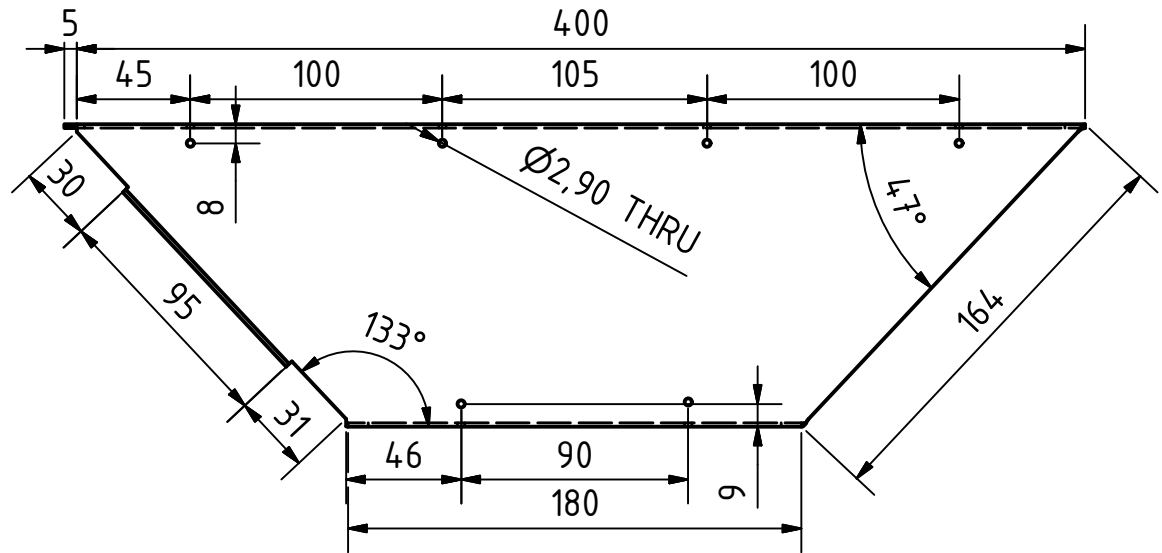
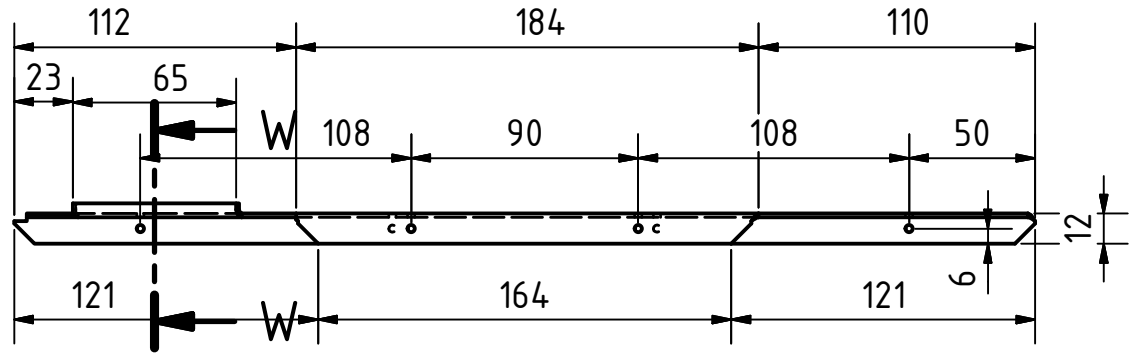
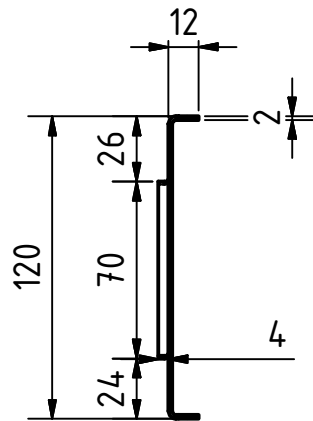


SCALE (1 : 5)

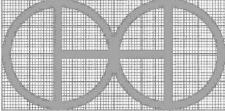


W-W (1 : 3)



SCALE (1 : 3)

Note: All units in mm.

PROJECT Peeling Machine for Sunflower Seeds	CREATED BY L. Ruda	APPROVED BY A. Morillo	DATE 16/09/2021	VERSION 1.0
PART NAME Chute PC	FILE NAME Part2.ipt			POS 2.5.4
DEVELOPED BY	REDESIGNED BY 	DOC. TYPE Part	MATERIAL Aluminium Alloy	QUANTITY 2
Tropical Products Institute	OHO e.V.	LICENCE CC-BY-SA 4.0	SCALE 1:3	SHEET 36 /71