
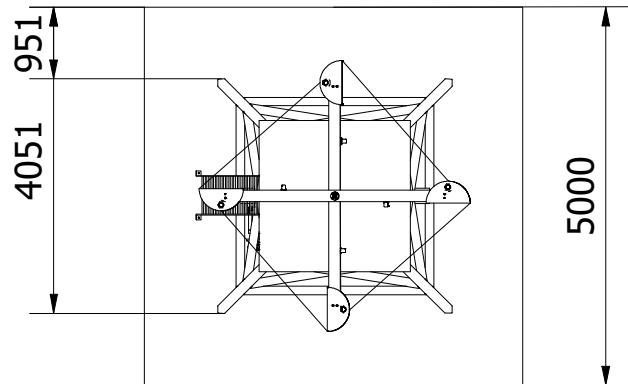
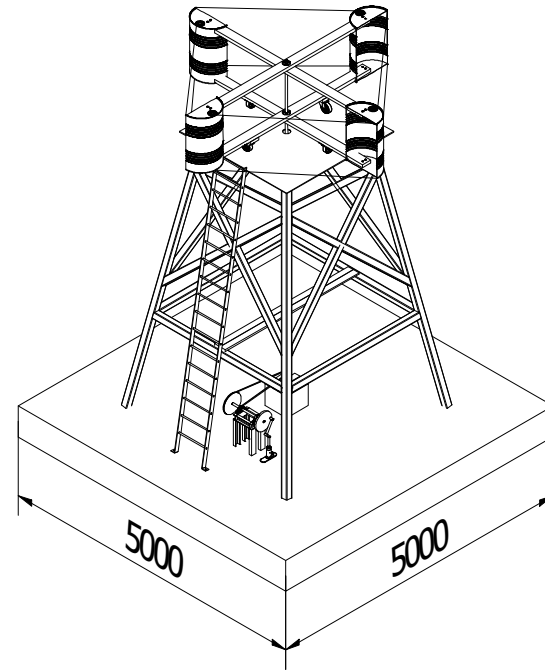
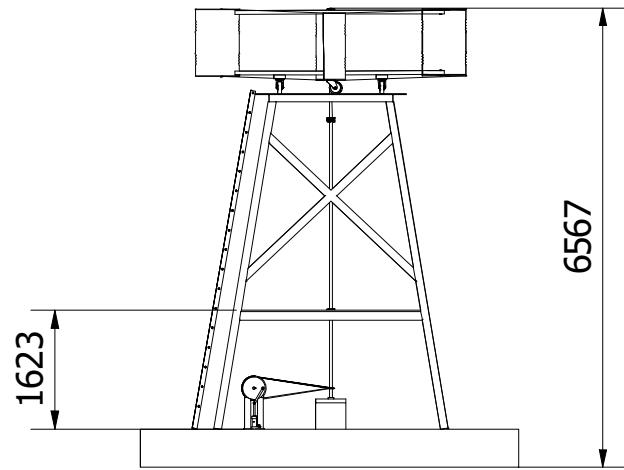



Note: All units in mm.

| | | | | |
|---|-------------------------------------|---------------------------|--------------------|----------------|
| PROJECT Wind turbine with vertical metal drum sails | CREATED BY J. Rosciano | APPROVED BY A. Morillo | DATE 27/10/2021 | VERSION 1.1 |
| PART NAME Wind mill assembly | FILE NAME Wind mill assembly.iam | | | POS A1 |
| PUBLISHED BY  OPEN HARDWARE OBSERVATORY Free Blueprints for Sustainable Development | DOC. TYPE Assembly | MATERIAL | QUANTITY 1 | |
| OHO e.V. | LICENCE CC-BY-SA 4.0 | SCALE 1/55 | SHEET 1 /41 | |



Note: All units in mm.

| | | | | |
|---|-------------------------------------|---------------------------|--------------------|----------------|
| PROJECT Wind turbine with vertical metal drum sails | CREATED BY J. Rosciano | APPROVED BY A. Morillo | DATE 27/10/2021 | VERSION 1.1 |
| PART NAME Wind mill assembly | FILE NAME Wind mill assembly.iam | | | POS A1 |
| PUBLISHED BY  OPEN HARDWARE OBSERVATORY Free Blueprints for Sustainable Development | DOC. TYPE Assembly | MATERIAL | | QUANTITY 1 |
| OHO e.V. | LICENCE CC-BY-SA 4.0 | SCALE 1/100 | SHEET 2 /41 | |