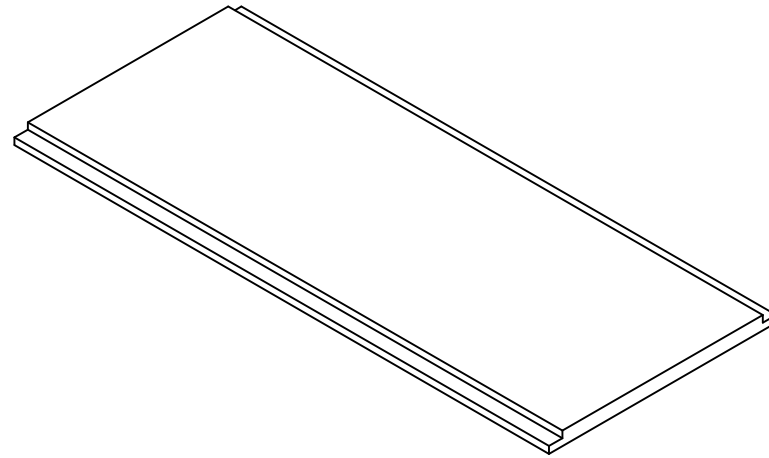
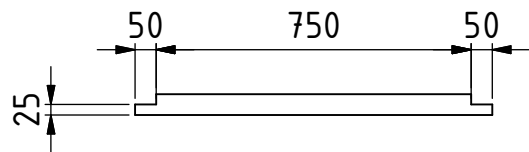
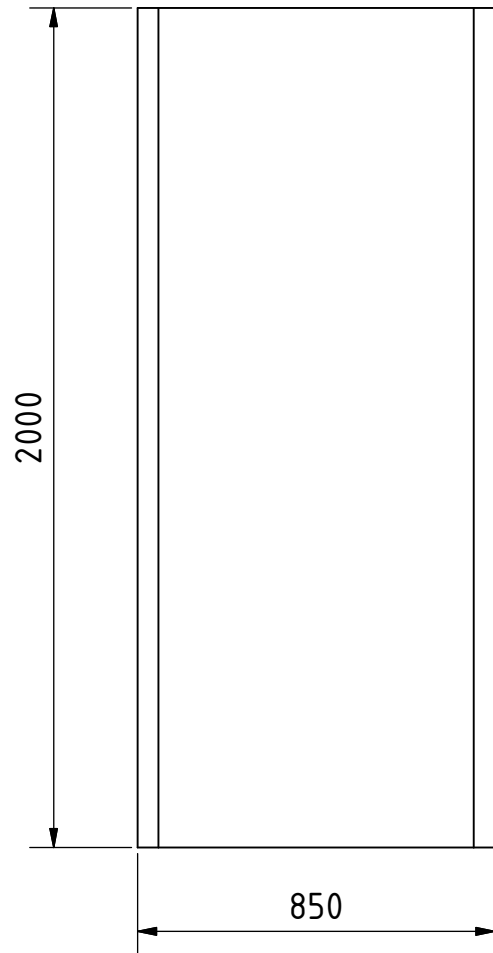
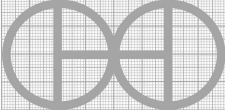


PLAN (1 : 18)



Note: All units in mm.

PROJECT	CREATED BY	APPROVED BY	DATE	VERSION
Coconut Drier	J. Zeron	A. Morillo	31/07/2021	1.0
PART NAME	FILE NAME			POS
Bottom wooden	Bottom wooden.ipt			5
DEVELOPED BY	REDESIGNED BY	DOC. TYPE	MATERIAL	QUANTITY
		Part	Kiln dried wood	1
Gate	OHO e.V.	LICENCE	SCALE	SHEET
		CC-BY-SA 4.0	1:20	8 /9