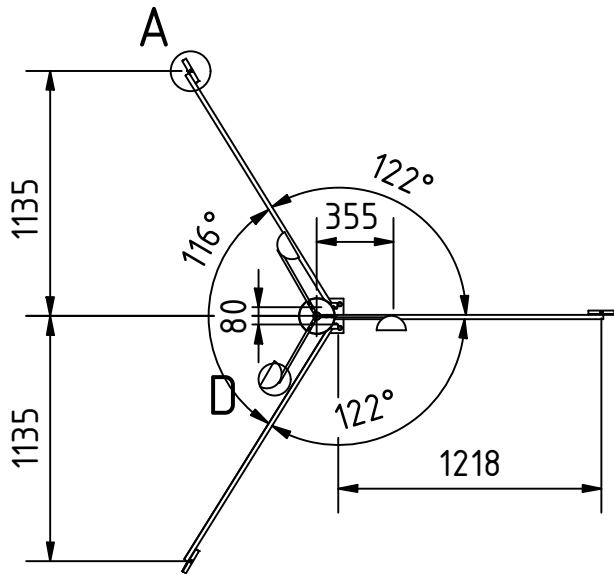
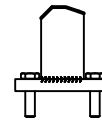


E ( 1:12 )



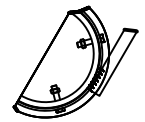
A ( 1:8 )



B ( 1:8 )



C ( 1:8 )



D ( 1:8 )

Note: all units in mm.

PROJECT Darrieus turbine made of pvc pipes		CREATED BY E. CEBALLOS		APPROVED BY A. MORILLO		DATE 28/11/2021		VERSION 1.0		
PART NAME 3D Views		FILE NAME ymm_dtp.iam								POS A1
DEVELOPED BY		REDESIGNED BY		DOC. TYPE Assembly		MATERIAL		QUANTITY 1		
		 OPEN SOURCE ECOLOGY GERMANY		LICENCE CC-BY-SA 4.0		SCALE 1:35		SHEET 1 / 13		
				OHO e.V.						