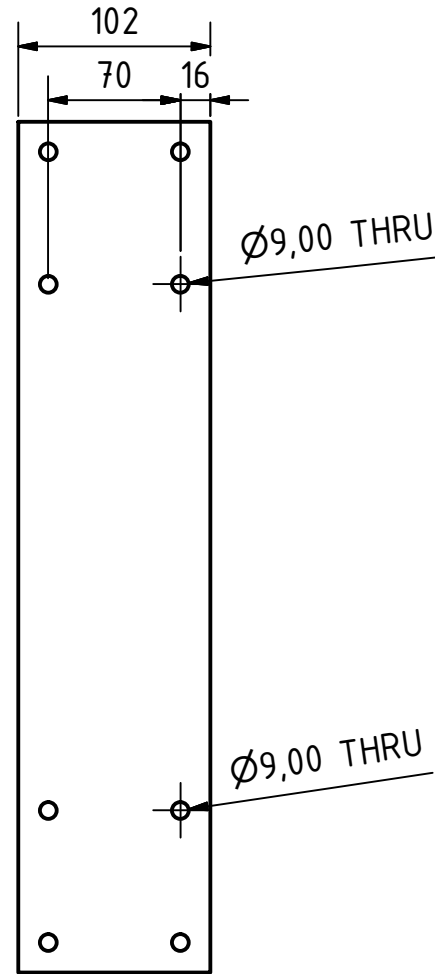


SCALE ( 1 : 5 )



SCALE ( 1 : 4 )

Note: All units in m

PROJECT	CREATED BY	APPROVED BY	DATE	VERSION
Thickness Sander	L. RUDA	A. MORILLO	06/10/2021	1.0
PART NAME	FILE NAME			POS
Top cross	Top cross.ipt			1.2
PUBLISHED BY		DOC. TYPE	MATERIAL	QUANTITY
		Part	Hardwood	4
		LICENCE	SCALE	SHEET
OHO e.V.		CC-BY-SA 4.0	1:4	8 /22