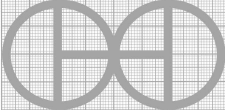
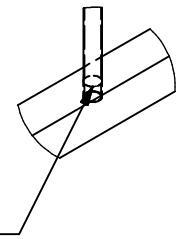
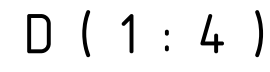
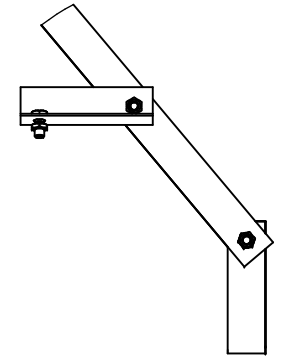
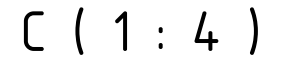
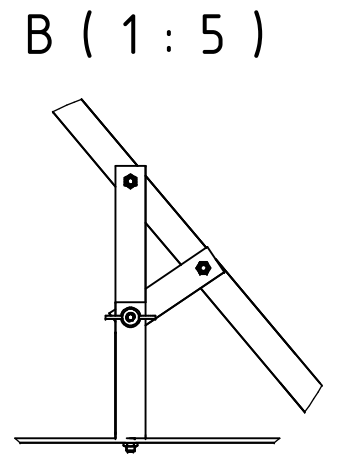
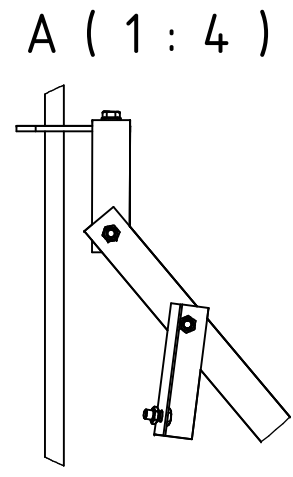
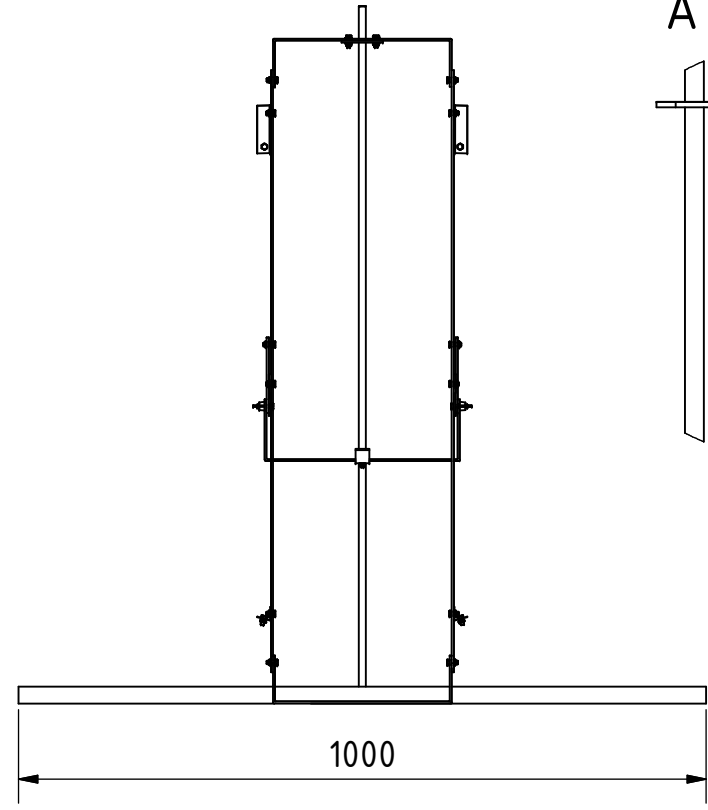
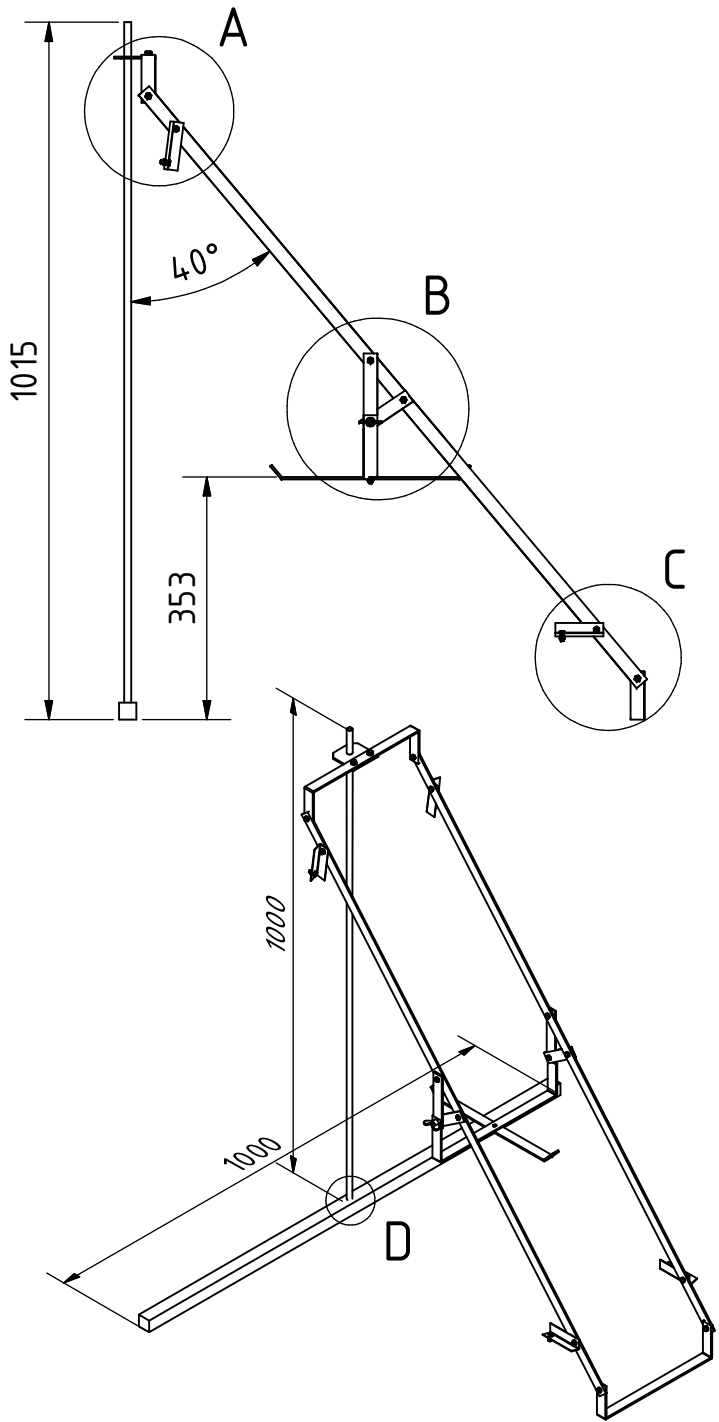
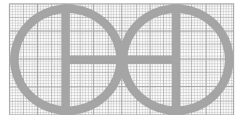


PROJECT Parabolic solar cooker with aluminium		CREATED BY J. Zeron		APPROVED BY A. Morillo	DATE 30/09/2021	VERSION 1.0
PART NAME Stand		FILE NAME Stand.ipn				POS 1.0
DEVELOPED BY Aarhus University, Denmark		REDESIGNED BY  OHO e.V.		DOC. TYPE Assembly	MATERIAL	QUANTITY 1
				LICENCE CC-BY-SA 4.0	SCALE 1:9	SHEET 4 / 19



Stick together with whiteglue.

Note: All units in mm.

PROJECT Parabolic solar cooker with aluminium		CREATED BY J. Zeron		APPROVED BY A. Morillo		DATE 30/09/2021		VERSION 1.0	
PART NAME Stand		FILE NAME Stand.ipn						POS 1.0	
DEVELOPED BY Aarhus University, Denmark		REDESIGNED BY  OHO e.V.		DOC. TYPE Assembly		MATERIAL		QUANTITY 1	
				LICENCE CC-BY-SA 4.0		SCALE 1:11		SHEET 5 / 19	