

D

D

C

C

B

B

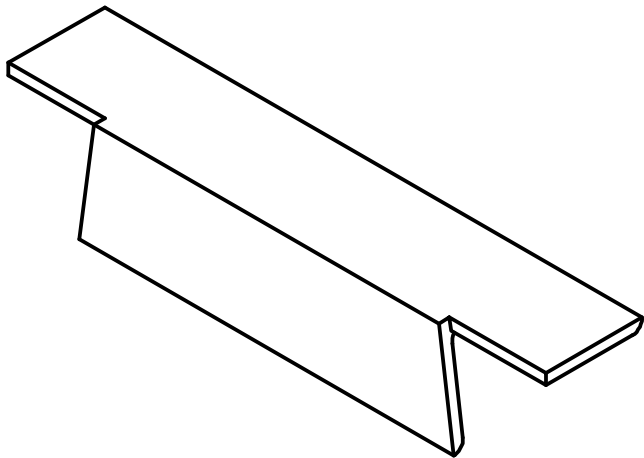
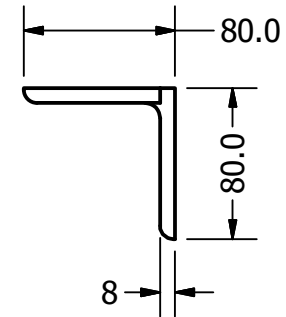
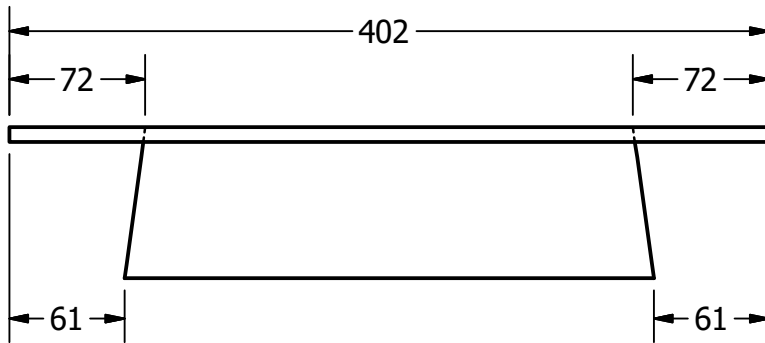
A


A

2



1



Proyect Small water turbine		Created by D. Mosquera	Approved by D. Jeager		
Part Name top angle		Part Code 12.2	Document Type part	Material steelL A36	
Redesigned by  OPEN SOURCE ECOLOGY GERMANY	Original drawing from Practical ACTION	License CERN-OHL	File Name oseg_swt_top-angles.ipt	Version 1.0	Quantity 1
			Scale 1 / 4	Sheet 31	Date 18.01.21

2



1