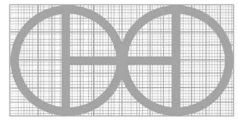
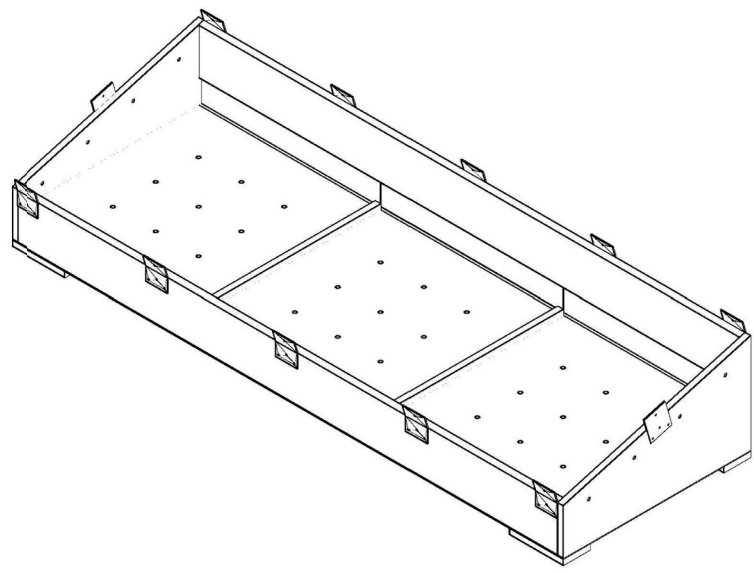
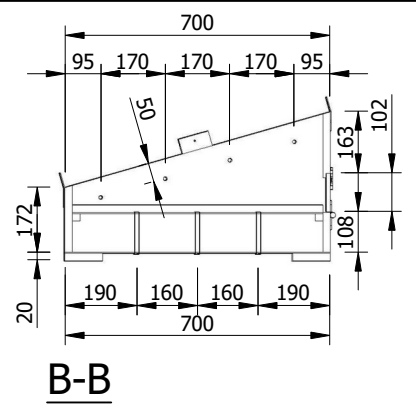
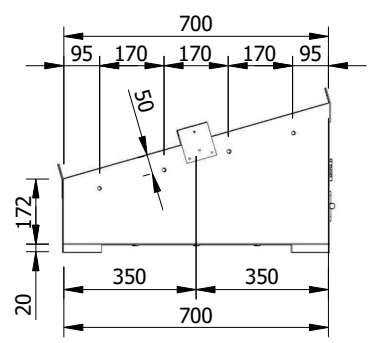
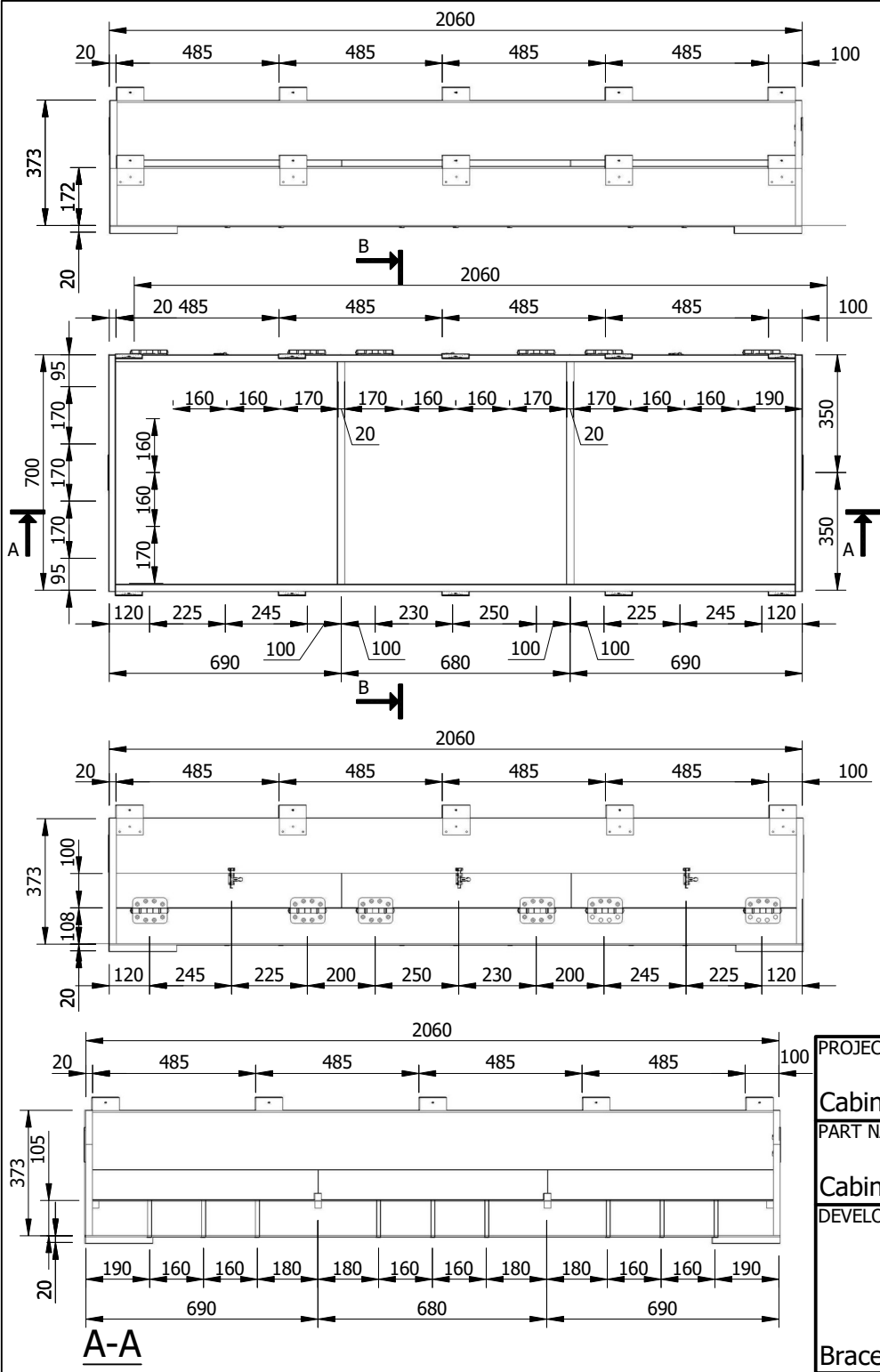
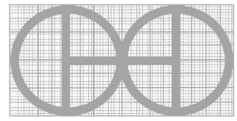


Note: All units in mm.

PROJECT		CREATED BY		APPROVED BY		DATE		VERSION	
Cabinet Food Dryer		J. Laffont		A. Morillo		30/06/2021		1.0	
PART NAME				FILE NAME				POS	
Cabinet Assy				Cabinet Food Dryer				1.0	
DEVELOPED BY			REDESIGNED BY			DOC. TYPE	MATERIAL		QUANTITY
Brace Research Institute			 OHO e.V.			Assembly			1
						LICENCE			SCALE
						CC-BY-SA 4.0	1/25	6/31	



Note: All units in mm.

PROJECT	CREATED BY	APPROVED BY	DATE	VERSION
Cabinet Food Dryer	J. Laffont	A. Morillo	30/06/2021	1.0
PART NAME	FILE NAME			POS
Cabinet Assy	Cabinet Food Dryer			1.0
DEVELOPED BY	REDESIGNED BY	DOC. TYPE	MATERIAL	QUANTITY
		Assembly		1
Brace Research Institute		LICENCE	SCALE	SHEET
OHO e.V.		CC-BY-SA 4.0	1/20	7/31