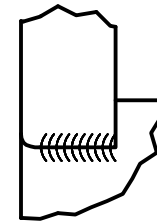
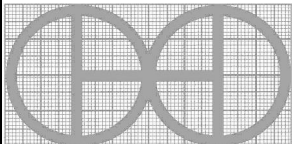
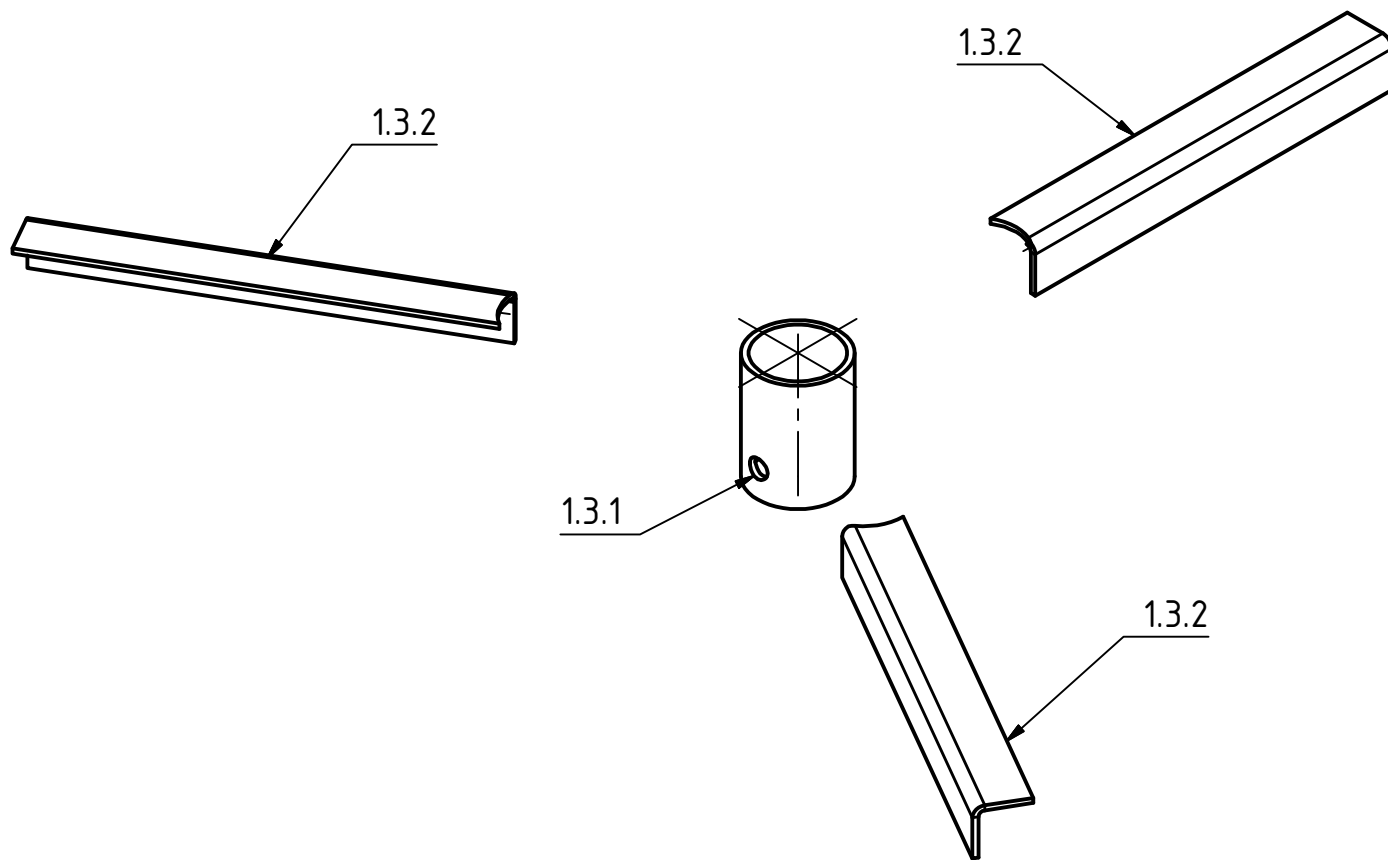


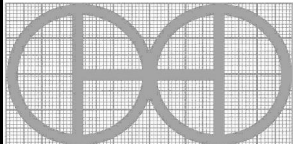
Det.C



PROJECT	CREATED BY	APPROVED BY	DATE	VERSION
Sovonius rotor 1m diameter	D.MOSQUERA	A. MORILLO	22/10/2021	1.0
PART NAME	FILE NAME			POS
Support rotor	oho_sr1d_support-Rotor.iam			1.3.0
DEVELOPED BY	REDESIGNED BY	DOC. TYPE	MATERIAL	QUANTITY
Josef Hagmann, Austria		Assembly		1
		LICENCE	SCALE	SHEET
		CC-BY-SA 4.0	1:4	10 /17

OHO e.V.



PROJECT	CREATED BY	APPROVED BY	DATE	VERSION
Sovonius rotor 1m diameter	D.MOSQUERA	A. MORILLO	22/10/2021	1.0
PART NAME	FILE NAME			POS
Support rotor	oho_sr1d_support-Rotor.ipn			1.3.0
DEVELOPED BY	REDESIGNED BY	DOC. TYPE	MATERIAL	QUANTITY
Josef Hagmann, Austria		Assembly		1
		LICENCE	SCALE	SHEET
		CC-BY-SA 4.0	1:3	11 /17

OHO e.V.