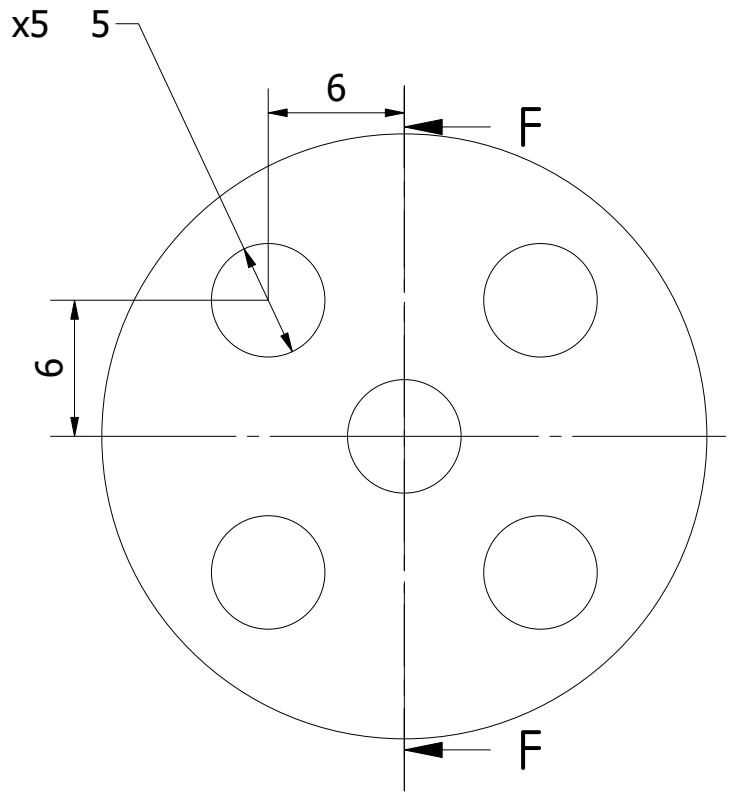
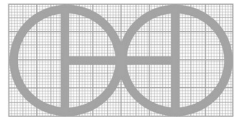


F-F ( 3/1 )



Note: All units in mm.

|                            |   |              |            |          |
|----------------------------|---|--------------|------------|----------|
| PROJECT                    | CREATED BY  | APPROVED BY  | DATE       | VERSION  |
| DTU Handpump               | J. Rosciano   | A. Morillo   | 17/06/2021 | 1.1      |
| PART NAME                  | FILE NAME   |              |            | POS      |
| Piece of wood              | 3.1_Piece_Of_Wood.ipt   |              |            | 3.1      |
| DEVELOPED BY               | REDESIGNED BY   | DOC. TYPE    | MATERIAL   | QUANTITY |
|                            |  | Part         | Hardwood   | 1        |
|                            |   | LICENCE      | SCALE      | SHEET    |
| University of Warwick, DTU | OHO e.V.  | CC-BY-SA 4.0 | 1/1        | 19 /23   |