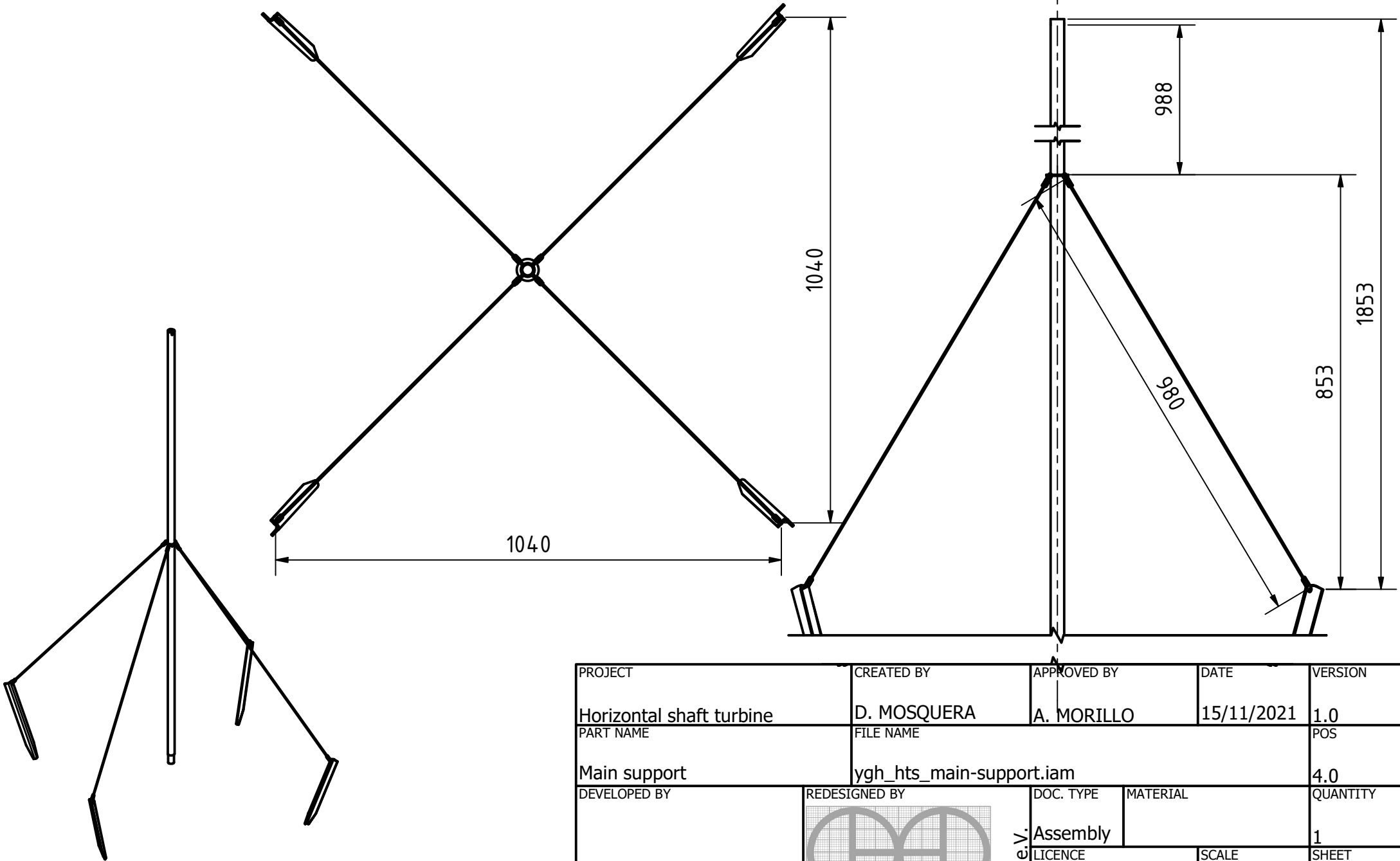
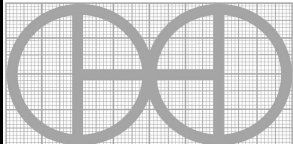
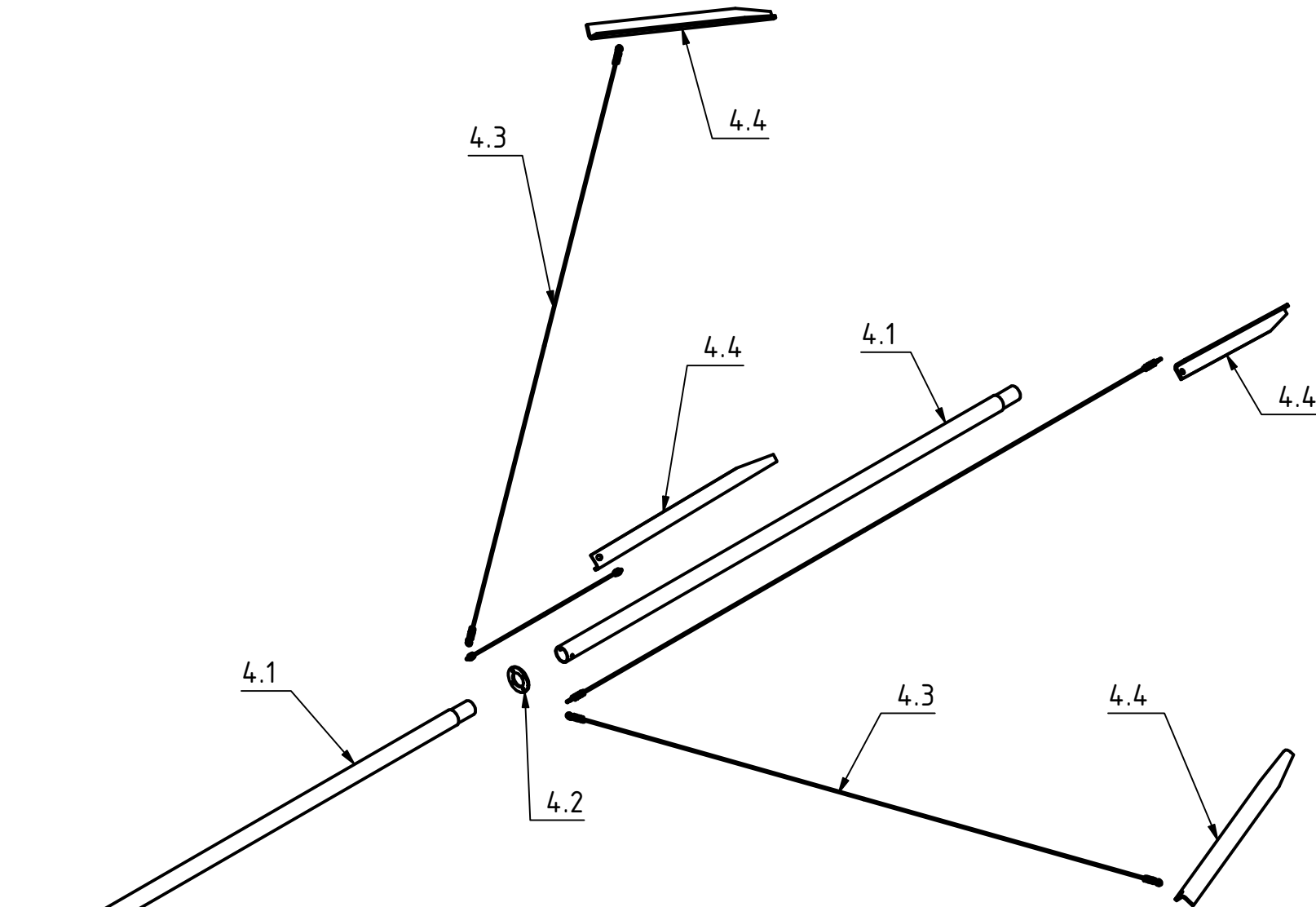
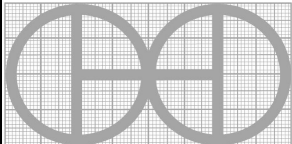


A (1 : 10)



PROJECT	CREATED BY	APPROVED BY	DATE	VERSION
Horizontal shaft turbine	D. MOSQUERA	A. MORILLO	15/11/2021	1.0
PART NAME	FILE NAME			POS
Main support	ygh_hts_main-support.iam			4.0
DEVELOPED BY	REDESIGNED BY	DOC. TYPE	MATERIAL	QUANTITY
Original developer		Assembly		1
		LICENCE	SCALE	SHEET
		CC-BY-SA 4.0	1:10	24 /28



PROJECT	CREATED BY	APPROVED BY	DATE	VERSION
Horizontal shaft turbine	D. MOSQUERA	A. MORILLO	15/11/2021	1.0
PART NAME	FILE NAME			POS
Main support	ygh_hts_main-support.ipn			4.0
DEVELOPED BY	REDESIGNED BY	DOC. TYPE	MATERIAL	QUANTITY
Original developer		Assembly		1
		LICENCE	SCALE	SHEET
		CC-BY-SA 4.0	1:10	25 /28

OHO e.V.