
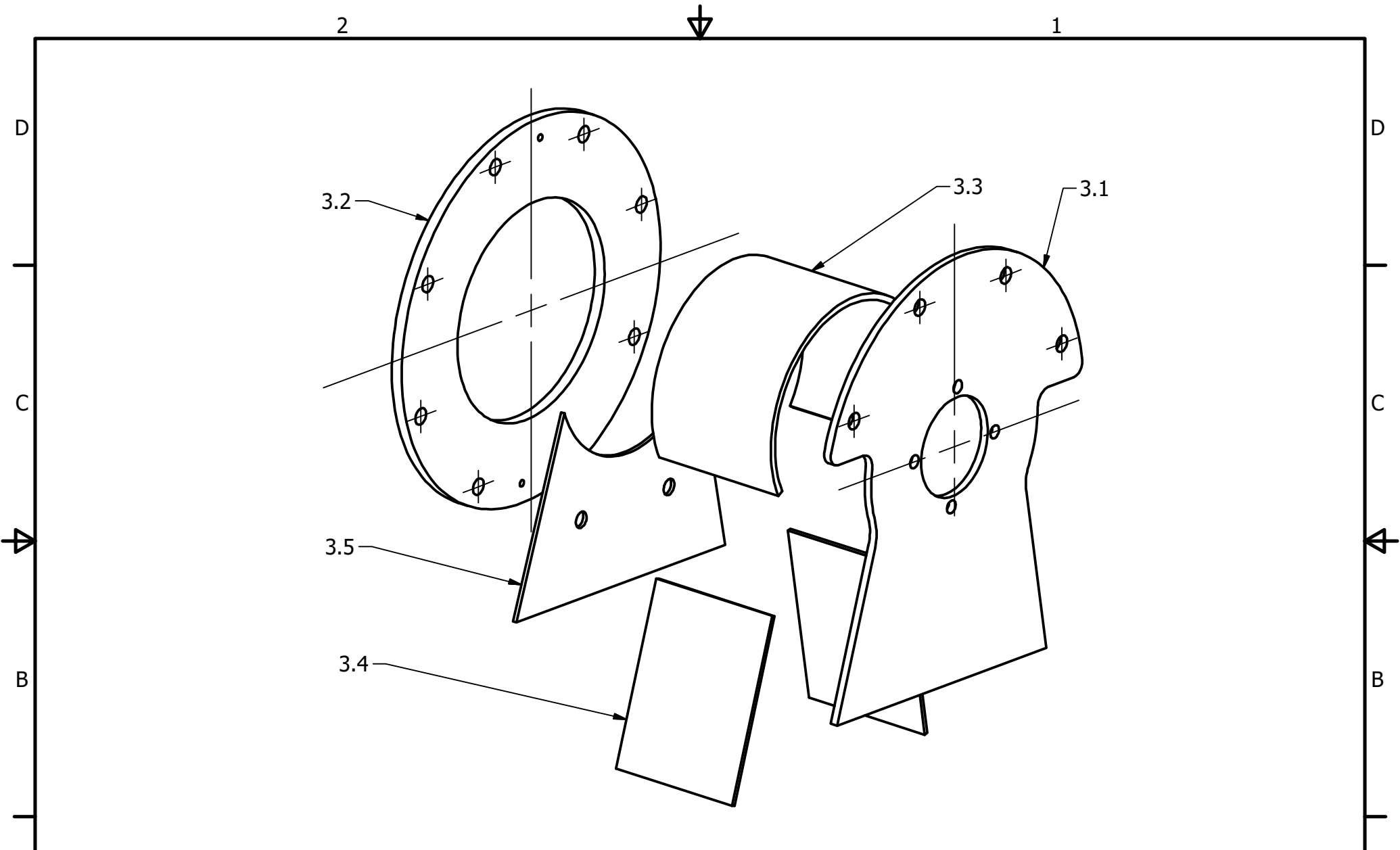



Project <b>Small water turbine</b>		Created by <b>D. Mosquera</b>		Approved by <b>D. Jeager</b>	
Part Name <b>drain chute</b>		Part Code <b>3</b>		Document Type <b>assembly</b>	
Material <b>steel C45</b>		Version <b>1.0</b>		Quantity <b>1</b>	
Redesigned by  <b>Practical ACTION</b>		License <a href="https://www.cern.ch/en/about-us/contracting/cern-ohl">CERN-OHL</a>		File Name <b>oseg_swt_drain-chute.iam</b>	
Scale <b>1 / 8</b>		Sheet <b>10</b>		Date <b>18.01.21</b>	



Proyect Small water turbine		Created by D. Mosquera		Approved by D. Jeager	
Part Name drain chute		Part Code 3		Document Type assembly	
Redesigned by 		Original drawing from <b>Practical ACTION</b>		Material steel C45	
		License <a href="#">CERN-OHL</a>		File Name oseg_swt_drain-chute.iam	
				Version 1.0	
				Quantity 1	
				Scale	
				Sheet 11	
				Date 18.01.21	