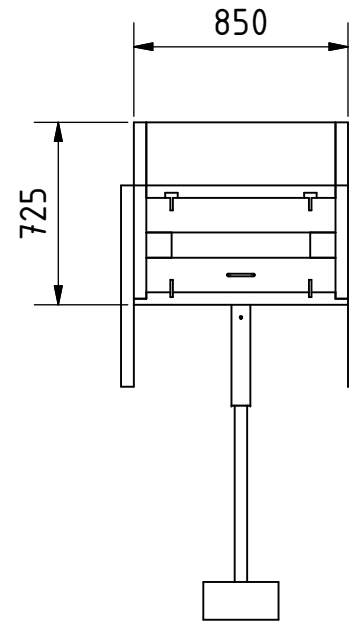
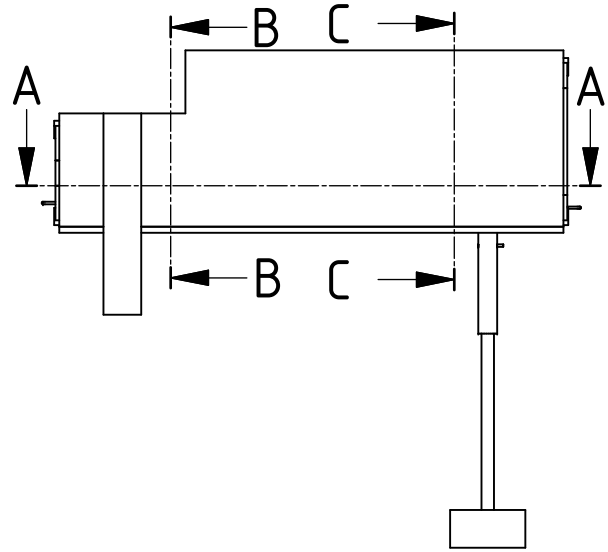
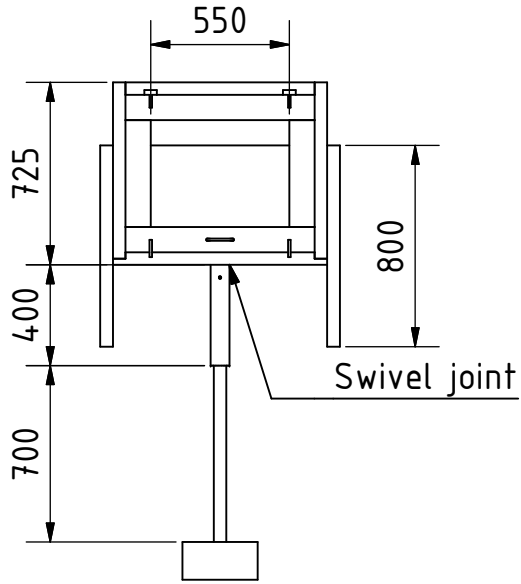
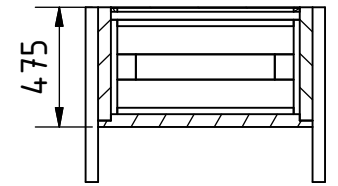


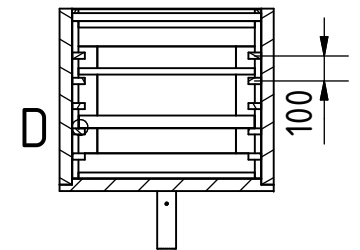
ELEVATION ( 1 : 30 )



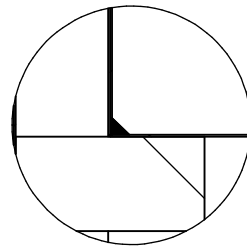
B-B ( 1 : 30 )



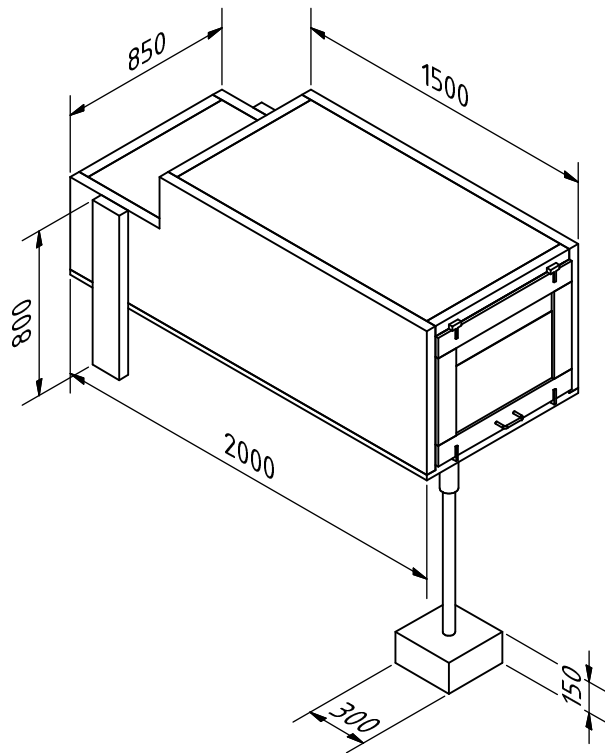
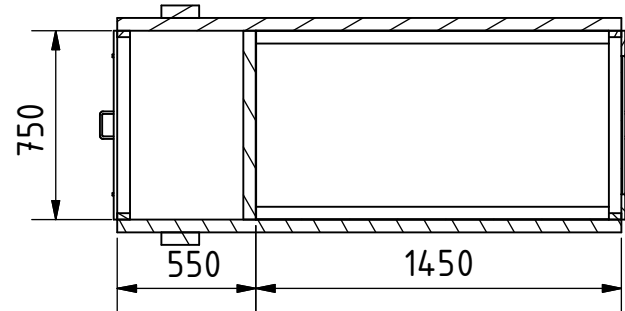
C-C ( 1 : 30 )



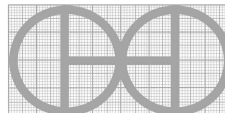
D ( 1 : 2 )



A-A ( 1 : 30 )



Note: All units in mm.

PROJECT	CREATED BY	APPROVED BY	DATE	VERSION
Coconut Drier	J. Zeron	A. Morillo	31/07/2021	1.0
PART NAME	FILE NAME			POS
3d views	gat_cdr_coconut-drier.iam			A1
DEVELOPED BY	REDESIGNED BY	DOC. TYPE	MATERIAL	QUANTITY
		Assembly		1
Gate	OHO e.V.	LICENCE	SCALE	SHEET
		CC-BY-SA 4.0	1:30	1 / 9