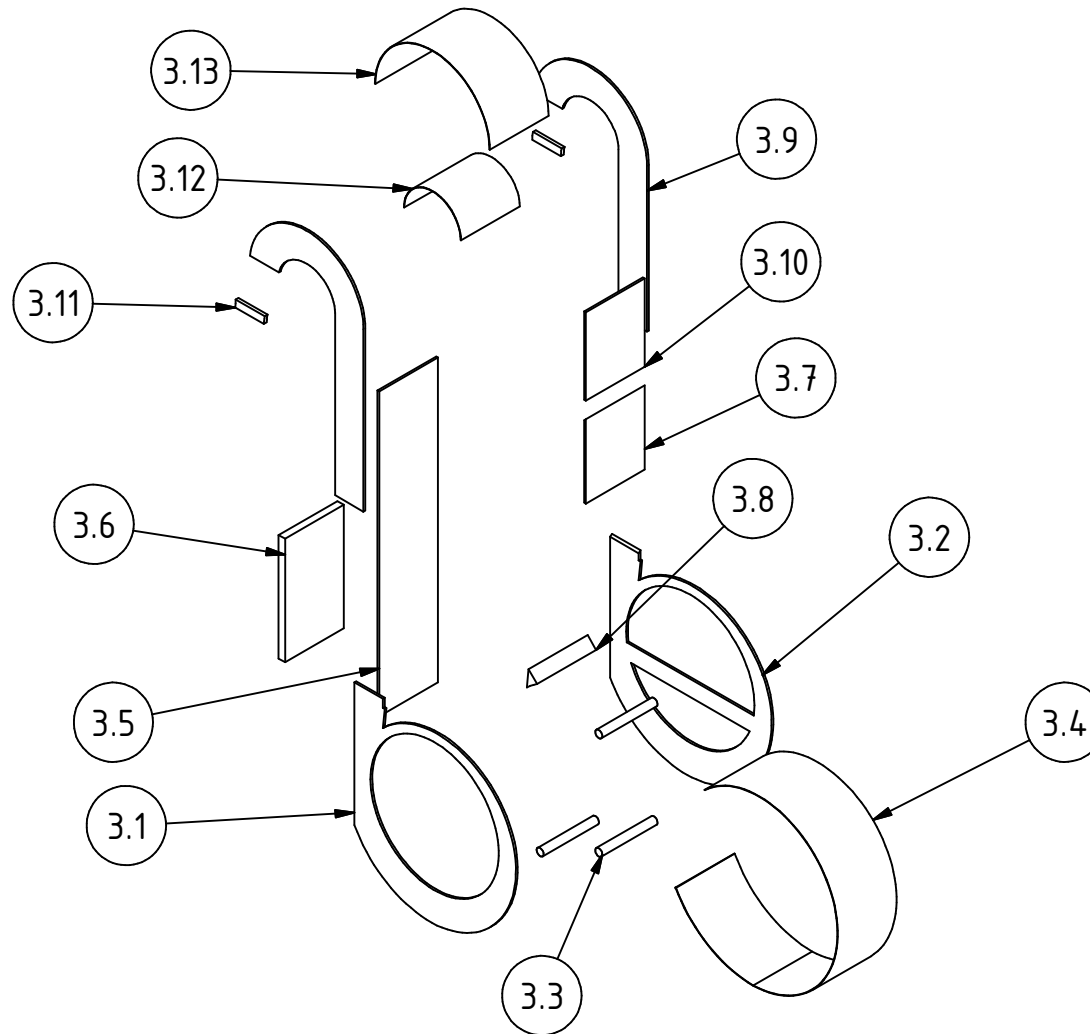


EXPLOSION (1 : 15)



PROJECT Hand Operated Winnower for groundnut		CREATED BY J. Zeron		APPROVED BY A. Morillo		DATE 09/08/2021		VERSION 1.0	
PART NAME Wind case		FILE NAME Wind case.ipn						POS 3.0	
DEVELOPED BY Tropical Products Institut		REDESIGNED BY OHO e.V.		DOC. TYPE Assembly		MATERIAL		QUANTITY 1	
				LICENCE CC-BY-SA 4.0		SCALE 1:15		SHEET 18 /45	