
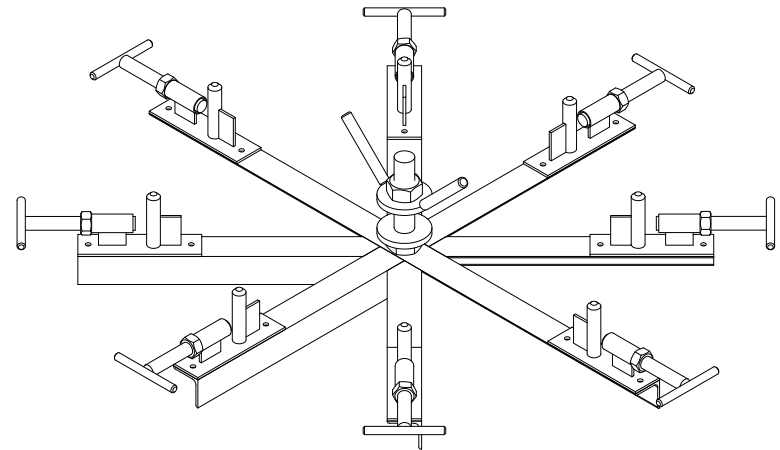
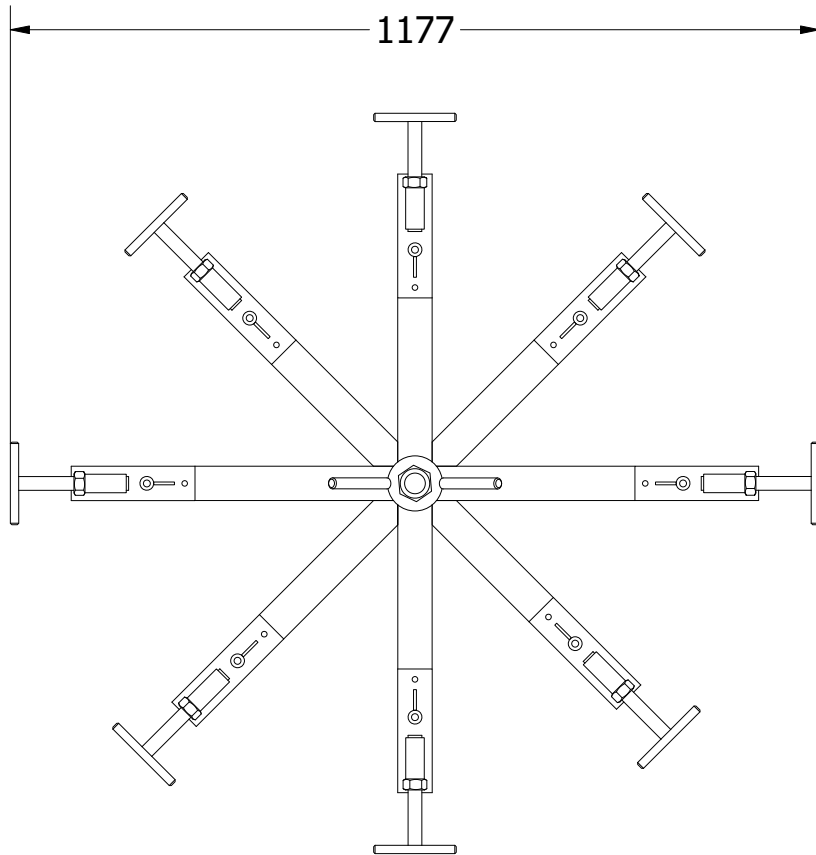
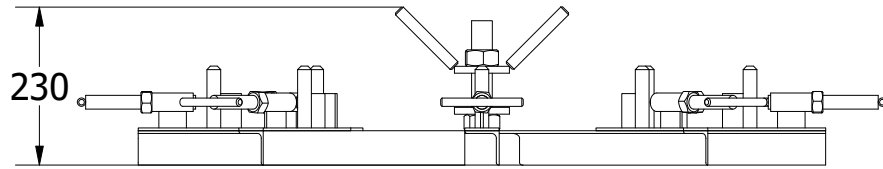



Note: All units in mm.

| | | | | |
|------------------|---|--------------|------------|----------|
| PROJECT | CREATED BY | APPROVED BY | DATE | VERSION |
| Wheel Jig | J. Rosciano | A. Morillo | 25/06/2021 | 1.0 |
| PART NAME | FILE NAME | | | POS |
| 3d views | pac_wj_wheel-jig.iam | | | A1 |
| DEVELOPED BY | REDESIGNED BY | DOC. TYPE | MATERIAL | QUANTITY |
| |  | Assembly | | 1 |
| Practical Action | OHO e.V. | LICENCE | SCALE | SHEET |
| | | CC-BY-SA 4.0 | 1/6 | 1 /22 |



Note: All units in mm.

| | | | | |
|------------------|---|--------------|------------|----------|
| PROJECT | CREATED BY | APPROVED BY | DATE | VERSION |
| Wheel Jig | J. Rosciano | A. Morillo | 25/06/2021 | 1.0 |
| PART NAME | FILE NAME | | | POS |
| 3d views | pac_wj_wheel-jig.iam | | | A1 |
| DEVELOPED BY | REDESIGNED BY | DOC. TYPE | MATERIAL | QUANTITY |
| |  | Assembly | | 1 |
| Practical Action | OHO e.V. | LICENCE | SCALE | SHEET |
| | | CC-BY-SA 4.0 | 1/11 | 2 /22 |